



CARGO SCHEDULE

OCTOBER 1, 2019 - MARCH 31, 2020





*We Care Smarter -
while time flies*

Welcome to World Cargo Solutions (WCS),
a true virtual cargo airline!

We group the capacities of multiple mandate carrier from various geographical areas in order to provide cargo agents with a homogenic booking platform and a streamlined service concept for their specific air cargo needs.

Access to belly holds capacities of 12 airlines with 160+ aircraft, operating under a total cargo management concept and allowing network wide bookings to 180+ destinations, including interline services and road feeder connections.



CONTENTS

PAGE

WCS Mandate Carrier	4
Interline Service through Carrier	5
Road Feeder Services	6
Freight Collect within WCS-Network	7
Network Flights	9 - 49
Aircraft Information	
A 319-100	51
A 320-200	52
A 321-200	53
A 330-200	54
A 330-300	55
A 350-900	56
B 737-400	57
B 737-700	58
B 737-800	59
B 767-300 / 300ER	60
B 787-9	61
ULD Information	63 – 70
Office Network	71 +

WCS MANDATE CARRIER

XC	=	Corendon Airlines	www.corendonairlines.com
XR	=	Corendon Airlines Europe	www.corendonairlines.com
CD	=	Corendon Dutch Airlines	www.corendonairlines.com
E9	=	Evelop Airlines	www.evelop.com
XY	=	Flynas	www.flynas.com
J9	=	Jazeera Airways	www.jazeeraairways.com
NO	=	Neos	www.neosair.it
6O	=	Orbest Airlines	www.orbest.com
PC	=	Pegasus Airlines	www.flypgs.com

INTERLINE SERVICE THROUGH CARRIER

Air Baltic Corporation	BT
Air Canada	AC
Air Europa	UX
Air New Zealand	NZ
Air Serbia a. d. Beograd	JU
American Airlines	AA
Biman Bangladesh Airlines LTD.	BG
Ethiopian Airlines Group	ET
LOT Polish Airlines	LO
MNG Airlines	MB
Nepal Airline Corporation	RA
Oman Air S.A.O.C	WY
Royal Air Maroc	AT
Sri Lankan Airlines Limited	UL
Thai Lion Mentari Co., LTD.	SL
Turkish Airlines Inc.	TK

ROAD FEEDER SERVICES

CORENDON AIRLINES

From	To	Truck No.	Depart.	Days of operation							Arrival
FRA	CGN	NO8014	22.00	1	2	3	4	-	-	7	13.00 +

NEOS

From	To	Truck No.	Depart.	Days of operation							Arrival
FRA	MPX	NO8010	23.59	1	2	3	-	-	-	7	18.00 +

+ = Arrival next day

FREIGHT COLLECT WITHIN WCS-NETWORK

To	A/P code	Freight collect
Amsterdam	AMS	YES
Brussels	BRU	YES
Lisbon	LIS	YES
Madrid	MAD	YES
Milan - Malpensa	MLP	YES
All other destinations not listed	XXX	NO

NETWORK FLIGHTS

Days of Operation	Dept.	Arr.	Flight No.	Aircraft Type	Operation Period	Via/ Stop
-------------------	-------	------	------------	---------------	------------------	-----------

FROM ABHA (AHB)

→ Ad Dammam (DMM)

1234567	10.00	12.05	XY0710	A321	01.10. - 31.03.	-
1234567	21.40	23.45	XY0708	A321	01.10. - 31.03.	-

→ Al Baha (ABT)

---4-6-	19.15	20.10	XY0850	A319	03.10. - 28.03.	-
---------	-------	-------	--------	------	-----------------	---

→ Bisha (BHH)

---4-6-	11.30	12.20	XY0854	A319	03.10. - 28.03.	-
---------	-------	-------	--------	------	-----------------	---

→ Gassim (ELQ)

---4-6-	14.20	16.00	XY0862	A319	03.10. - 28.03.	-
---------	-------	-------	--------	------	-----------------	---

→ Jeddah (JED)

1234567	09.00	10.15	XY0426	A320	01.10. - 31.03.	-
1234567	22.50	00.05+	XY0434	A320	01.10. - 31.03.	-
123-5-7	14.00	15.15	XY0860	A319	01.10. - 31.03.	-

→ Jizan (GIZ)

-2-4-6-	22.25	23.10	XY0852	A319	01.10. - 31.03.	-
---------	-------	-------	--------	------	-----------------	---

→ Riyadh (RUH)

1234567	05.45	07.20	XY0084	A320	01.10. - 31.03.	-
1234567	09.15	10.50	XY0082	A320	01.10. - 31.03.	-
1234567	22.25	23.55	XY0090	A320	01.10. - 31.03.	-
12--5-7	15.05	16.40	XY0086	A320	01.10. - 31.03.	-

→ Sharurah (SHW)

123-5-7	08.30	10.05	XY0856	A319	01.10. - 31.03.	-
---4-6-	07.00	08.35	XY0856	A319	03.10. - 28.03.	-

FROM ABU DHABI (AUH)

→ Istanbul Sabiha Gökçen (SAW)

--3-5-7	04.05	06.55	PC0407	A320/B738	27.10. - 27.03.	-
---------	-------	-------	--------	-----------	-----------------	---

Days of Operation	Dept.	Arr.	Flight No.	Aircraft Type	Operation Period	Via/ Stop
-------------------	-------	------	------------	---------------	------------------	-----------

FROM ADANA (ADA)

→ Antalya (AYT)

1234567	05.40	06.45	PC3600	A320/B738	27.10. - 28.03.	-
123-5-7	16.20	17.25	PC3602	A320/B738	27.10. - 27.03.	-

→ Dusseldorf (DUS)

-----6-	02.35	06.05	PC1591	A320/B738	02.11. - 28.03.	-
---------	-------	-------	--------	-----------	-----------------	---

→ Istanbul Sabiha Gökçen (SAW)

1234567	05.05	06.35	PC2099	A320/B738	27.10. - 28.03.	-
1234567	07.00	08.30	PC2081	A320/B738	27.10. - 28.03.	-
1234567	10.40	12.10	PC2085	A320/B738	27.10. - 28.03.	-
1234567	17.05	18.35	PC2093	A320/B738	27.10. - 28.03.	-
1234567	19.30	21.00	PC2095	A320/B738	27.10. - 28.03.	-
123456-	08.45	10.15	PC2083	A320/B738	28.10. - 28.03.	-
1-34567	15.10	16.40	PC2091	A320/B738	27.10. - 28.03.	-
1---5--	12.40	14.10	PC2087	A320/B738	28.10. - 27.03.	-
-2345-7	20.55	22.25	PC2097	A320/B738	27.10. - 27.03.	-
-2---67	13.20	14.50	PC2089	A320/B738	27.10. - 28.03.	-

→ Izmir (ADB)

1234567	12.35	14.05	PC3012	A320/B738	27.10. - 28.03.	-
12-456-	16.45	08.15	PC3011	A320/B738	28.10. - 28.03.	-
1-3-----	19.35	21.05	PC3015	A320/B738	27.10. - 25.03.	-
---4-6-	16.20	17.50	PC3014	A320/B738	31.10. - 02.11.	-
---4-6-	16.20	17.50	PC3014	A320/B738	26.12. - 28.03.	-
-----5--	20.05	21.35	PC3015	A320/B738	01.11. - 27.03.	-
-----6-	16.20	17.50	PC3014	A320/B738	09.11. - 21.12.	-

→ Nicosia (ECN)

1234567	10.40	11.30	PC1852	A320/B738	27.10. - 28.03.	-
1234567	20.20	21.10	PC1850	A320/B738	27.10. - 28.03.	-
12-4567	16.40	17.30	PC1854	A320/B738	27.10. - 28.03.	-

→ Trabzon (TZX)

12-4567	13.25	14.45	PC3706	A320/B738	27.10. - 28.03.	-
--3-----	13.25	14.45	PC3706	A320/B738	01.01. - 25.03.	-

→ Van (VAN)

1234567	08.45	10.05	PC3640	A320/B738	27.10. - 28.03.	-
---------	-------	-------	--------	-----------	-----------------	---

All times local
 + = Arrival next day
 ++ = Arrival 2nd day

Schedule subject to change without prior notice

- = Nonstop
 ② = Biweekly

Days of Operation	Dept.	Arr.	Flight No.	Aircraft Type	Operation Period	Via/ Stop
-------------------	-------	------	------------	---------------	------------------	-----------

FROM AD DAMMAN (DMM)

→ Abha (AHB)

1234567	07.00	09.10	XY0709	A321	01.10. – 31.03.	–
1234567	18.40	20.55	XY0737	A321	01.10. – 31.03.	–

→ Al Baha (ABT)

---	4-6-	07.20	09.35	XY0754	A321	03.10. – 28.03.	–
-----	------	-------	-------	--------	------	-----------------	---

→ Arar (RAE)

---	4-6-	13.00	14.50	XY0756	A321	03.10. – 28.03.	–
-----	------	-------	-------	--------	------	-----------------	---

→ Cairo (CAI)

1234567	18.20	20.50	XY0894	A321	01.10. – 31.03.	–
---------	-------	-------	--------	------	-----------------	---

→ Gassim (ELQ)

-2-	4-6-	11.00	12.30	XY0730	A321	01.10. – 31.03.	–
-----	------	-------	-------	--------	------	-----------------	---

→ Ha'il (HAS)

---	3-5-7	10.40	12.25	XY0740	A321	02.10. – 29.03.	–
-----	-------	-------	-------	--------	------	-----------------	---

→ Istanbul Sabiha Gökçen (SAW)

1234567	01.20	05.25	PC0675	A320/B738	27.10. – 10.11.	–
1234567	01.20	05.25	PC0675	A320/B738	09.12. – 19.01.	–
1234567	01.20	05.25	PC0675	A320/B738	02.03. – 08.03.	–
123456-	01.20	05.25	PC0675	A320/B738	23.03. – 28.03.	–
-34567	01.20	05.25	PC0675	A320/B738	13.11. – 08.12.	–
-34567	01.20	05.25	PC0675	A320/B738	22.01. – 01.03.	–
-34567	01.20	05.25	PC0675	A320/B738	11.03. – 22.03.	–

→ Jeddah (JED)

1234567	07.00	09.20	XY0401	A320	01.10. – 31.03.	–
1234567	09.40	12.10	XY0403	A320	01.10. – 31.03.	–
1234567	16.00	18.30	XY0405	A320	01.10. – 31.03.	–
1234567	18.35	21.05	XY0409	A320	01.10. – 31.03.	–
1234567	22.20	00.50+	XY0411	A320	01.10. – 31.03.	–

→ Jizan (GIZ)

1234567	16.35	19.00	XY0715	A321	01.10. – 31.03.	–
---------	-------	-------	--------	------	-----------------	---

→ Khartoum (KRT)

12---	5--	04.15	06.50	XY0892	A321	01.10. – 31.03.	–
-------	-----	-------	-------	--------	------	-----------------	---

→ Kuwait (KWI)

-23----	09.05	10.10	J90232	A320	24.12. – 25.03.	–
-23----	18.50	19.55	J90234	A320	24.12. – 25.03.	–

→ Lahore (LHE)

123-5-7	19.15	00.50+	XY0883	A321	01.10. – 31.03.	–
---------	-------	--------	--------	------	-----------------	---

→ Medina (MED)

1234567	13.10	15.20	XY0735	A321	01.10. – 31.03.	–	
---	4-6-	22.45	00.55+	XY0703	A321	03.10. – 28.03.	–

All times local
 + = Arrival next day
 ++ = Arrival 2nd day

Schedule subject to change without prior notice

- = Nonstop
 ② = Biweekly

Days of Operation	Dept.	Arr.	Flight No.	Aircraft Type	Operation Period	Via/ Stop
-------------------	-------	------	------------	---------------	------------------	-----------

FROM AD DAMMAN (DMM)

→ Qaisumah (AQI)

1-3-5--	12.55	14.00	XY0758	A321	02.10. – 30.03.	–
---------	-------	-------	--------	------	-----------------	---

→ Riyadh (RUH)

1234567	23.35	00.40+	XY0079	A320	01.10. – 31.03.	–
1234-67	06.50	08.00	XY0067	A320	01.10. – 31.03.	–
12-45-7	17.15	18.20	XY0073	A320	01.10. – 31.03.	–
1-3-5-7	20.20	21.25	XY0075	A320	02.10. – 30.03.	–
-2-4-6-	19.15	20.20	XY0075	A320	01.10. – 31.03.	–
--34-6-	15.15	16.20	XY0071	A320	02.10. – 28.03.	–

→ Ta'if (TIF)

---	4-6-	18.50	21.05	XY0711	A321	03.10. – 28.03.	–
-----	------	-------	-------	--------	------	-----------------	---

→ Yanbu (YNB)

1234567	13.00	15.05	XY0733	A321	01.10. – 31.03.	–
---------	-------	-------	--------	------	-----------------	---

FROM AGADIR (AGA)

→ Leipzig (LEJ)

-----6-	10.00	15.30	XR9603	B738	02.11. – 28.03.	–
---------	-------	-------	--------	------	-----------------	---

FROM AGRI (AJI)

→ Izmir (ADB)

---	3--6-	11.10	13.35	PC3123	A320/B738	30.10. – 28.03.	–
-----	-------	-------	-------	--------	-----------	-----------------	---

FROM AHMEDABAD (AMD)

→ Kuwait (KWI)

-3-5-7	06.45	08.45	J90408	A320	30.10. – 27.03.	–
--------	-------	-------	--------	------	-----------------	---

FROM AL AIN (AAN)

→ Kuwait (KWI)

1---	5-7	16.05	16.45	J90140	A320	28.10. – 27.03.	–
------	-----	-------	-------	--------	------	-----------------	---

Days of Operation	Dept.	Arr.	Flight No.	Aircraft Type	Operation Period	Via/ Stop
-------------------	-------	------	------------	---------------	------------------	-----------

FROM AL BAHA (ABT)

→ Abha (AHB)

---4-6-	20.50	21.35	XY0851	A319	03.10. – 28.03.	-
---------	-------	-------	--------	------	-----------------	---

→ Ad Dammam (DMM)

---4-6-	10.20	12.10	XY0755	A321	03.10. – 28.03.	-
---------	-------	-------	--------	------	-----------------	---

FROM ALEXANDRIA (HBE)

→ Kuwait (KWI)

1234567	22.05	01.55+	J90722	A320	27.10. – 28.03.	-
---------	-------	--------	--------	------	-----------------	---

FROM ALMATY (ALA)

→ Istanbul Sabiha Gökçen (SAW)

-2-4--7	07.30	09.35	PC0101	A320/B738	27.10. – 27.03.	-
---------	-------	-------	--------	-----------	-----------------	---

FROM AMASYA (MZH)

→ Istanbul Sabiha Gökçen (SAW)

1-----	15.30	16.45	PC2781	A320/B738	28.10. – 23.03.	-
--3-5-7	08.50	10.05	PC2781	A320/B738	27.10. – 27.03.	-

FROM AMMAN (AMM)

→ Ankara (ESB)

1234567	15.45	17.40	PC1711	A320/B738	27.10. – 04.11.	-
1234567	15.45	17.40	PC1711	A320/B738	17.12. – 28.03.	-
1-34567	15.45	17.40	PC1711	A320/B738	06.11. – 16.12.	-

→ Antalya (AYT)

1234567	02.50	04.25	PC1801	A320/B738	27.10. – 28.03.	-
---------	-------	-------	--------	-----------	-----------------	---

→ Jeddah (JED)

1234-67	15.40	18.00	XY0552	A320	01.10. – 31.03.	-
---------	-------	-------	--------	------	-----------------	---

→ Kuwait (KWI)

1234567	21.35	00.45+	J90254	A320	27.10. – 28.03.	-
---456-	08.55	12.05	J90252	A320	31.10. – 28.03.	-

→ Riyadh (RUH)

1234567	22.40	00.50+	XY0254	A320	01.10. – 31.03.	-
-2-4---	10.35	12.45	XY0250	A320	01.10. – 31.03.	-

Days of Operation	Dept.	Arr.	Flight No.	Aircraft Type	Operation Period	Via/ Stop
-------------------	-------	------	------------	---------------	------------------	-----------

FROM AMSTERDAM (AMS)

→ Antalya (AYT)

12345--	07.00	11.55	XC0020	B738	01.10. – 30.10.	-
1-----	11.30	16.20	CD0020	B738	04.11. – 25.11.	-
-2-----	08.45	13.45	CD0020	B738	05.11. – 24.03.	-
-----5--	07.00	11.50	CD0020	B738	01.11. – 29.11.	-
-----5--	09.30	14.20	CD0520	B738	06.03. – 27.03.	-
-----6--	07.00	12.00	CD0020	B738	02.11. – 28.03.	-
-----6--	16.30	21.25	XC0020	B738	05.10. – 26.10.	-
-----7--	08.30	13.25	XC0020	B738	06.10. – 27.10.	-

→ Catania (CTA)

1--4---	07.00	09.50	CD0193	B738	03.10. – 31.10.	-
---------	-------	-------	--------	------	-----------------	---

→ Heraklion (HER)

--3----	14.00	18.35	CD0317	B738	02.10. – 23.10.	-
-----7	08.00	12.35	CD0717	B738	06.10. – 27.10.	-

→ Ibiza (IBZ)

1-3----	16.25	19.00	CD0391	B738	02.10. – 30.10.	-
-----6-	16.35	19.10	CD0697	B738	05.10. – 26.10.	-

→ Istanbul Sabiha Gökçen (SAW)

1234567	13.25	17.55	PC1254	A320/B738	27.10. – 28.03.	-
12-4567	11.30	16.00	PC1252	A320/B738	27.10. – 28.03.	-
1--4-6-	07.00	11.30	PC1256	A320/B738	28.10. – 28.03.	-
--3----	16.25	20.55	PC1258	A320/B738	30.10. – 25.03.	-

→ Las Palmas (LPA)

-2-----	08.00	11.40	CD0793	B738	26.11. – 24.03.	-
-----7	07.00	10.40	CD0717	B738	03.11. – 24.11.	-
-----7	07.00	10.40	CD0793	B738	01.12. – 29.03.	-

→ Palma de Mallorca (PMI)

-----6-	07.00	09.15	CD0611	B738	05.10. – 26.10.	-
---------	-------	-------	--------	------	-----------------	---

→ Rhodes (RHO)

-----6-	07.00	11.40	CD0613	B738	05.10. – 26.10.	-
---------	-------	-------	--------	------	-----------------	---

→ Tenerife–South (TFS)

---4---	10.00	13.40	CD8811	B738	19.12. – 05.03.	-
-----7	10.00	13.40	CD8811	B738	03.11. – 29.03.	-

All times local
 + = Arrival next day
 ++ = Arrival 2nd day

Schedule subject to change without prior notice

- = Nonstop
 ② = Biweekly

Days of Operation	Dept.	Arr.	Flight No.	Aircraft Type	Operation Period	Via/ Stop
-------------------	-------	------	------------	---------------	------------------	-----------

FROM ANKARA (ESB)

→ Amman (AMM)

1234567	13.10	15.05	PC1710	A320/B738	27.10. – 04.11.	–
1234567	13.10	15.05	PC1710	A320/B738	17.12. – 28.03.	–
1-34567	13.10	15.05	PC1710	A320/B738	06.11. – 16.12.	–

→ Antalya (AYT)

1234567	05.50	07.00	PC8040	A320/B738	27.10. – 28.03.	–
1234567	18.45	19.55	PC8042	A320/B738	27.10. – 28.03.	–

→ Arbil (EBL)

1-3-6-	22.55	00.55+	PC1702	A320/B738	28.10. – 28.03.	–
-2-45-7	13.40	15.40	PC1704	A320/B738	27.10. – 27.03.	–

→ Bodrum (BJV)

1-4-5-7	19.00	20.25	PC2466	A320/B738	27.10. – 27.03.	–
---------	-------	-------	--------	-----------	-----------------	---

→ Cologne (CGN)

-----5--	21.00	23.45	PC1681	A320/B738	01.11. – 27.03.	–
-----7	06.50	09.35	PC1681	A320/B738	27.10. – 22.03.	–

→ Corlu (TEQ)

1-3-567	09.05	10.20	PC8180	A320/B738	27.10. – 28.03.	–
---------	-------	-------	--------	-----------	-----------------	---

→ Dusseldorf (DUS)

-2--5--	13.30	16.15	PC1687	A320/B738	29.10. – 27.03.	–
---------	-------	-------	--------	-----------	-----------------	---

→ Frankfurt (FRA)

-----6-	10.25	13.05	PC1731	A320/B738	02.11. – 28.03.	–
---------	-------	-------	--------	-----------	-----------------	---

→ Hamburg (HAM)

-----6-	10.50	13.25	PC1641	A320/B738	02.11. – 28.03.	–
---------	-------	-------	--------	-----------	-----------------	---

→ Istanbul Sabiha Gökçen (SAW)

1234567	05.15	06.20	PC2685	A320/B738	27.10. – 28.03.	–
1234567	07.05	08.10	PC2661	A320/B738	27.10. – 28.03.	–
1234567	08.55	10.00	PC2665	A320/B738	27.10. – 28.03.	–
1234567	16.20	17.25	PC2675	A320/B738	27.10. – 28.03.	–
1234567	18.05	19.10	PC2677	A320/B738	27.10. – 28.03.	–
1234567	21.10	22.15	PC2683	A320/B738	27.10. – 28.03.	–
123456-	07.55	09.00	PC2663	A320/B738	28.10. – 28.03.	–
12345-7	11.50	12.55	PC2669	A320/B738	27.10. – 27.03.	–
1234----	10.10	11.15	PC2667	A320/B738	28.10. – 26.03.	–
1-----	15.20	14.25	PC2673	A320/B738	28.10. – 23.03.	–
1-3-56-	04.05	05.10	PC2689	A320/B738	28.10. – 28.03.	–
-234567	13.20	14.25	PC2671	A320/B738	27.10. – 28.03.	–
-234567	18.55	20.00	PC2679	A320/B738	27.10. – 28.03.	–
-2-4567	20.10	21.15	PC2681	A320/B738	27.10. – 28.03.	–
-2-4--7	05.00	06.05	PC1703	A320/B738	27.10. – 26.03.	–
--3----	21.55	23.00	PC2687	A320/B738	30.10. – 25.03.	–

Days of Operation	Dept.	Arr.	Flight No.	Aircraft Type	Operation Period	Via/ Stop
-------------------	-------	------	------------	---------------	------------------	-----------

FROM ANKARA (ESB)

→ Izmir (ADB)

1234567	06.50	08.05	PC3161	A320/B738	27.10. – 28.03.	–
1234567	11.05	12.20	PC3165	A320/B738	27.10. – 28.03.	–
1234567	19.40	20.55	PC3169	A320/B738	27.10. – 28.03.	–
1---567	15.20	16.35	PC3167	A320/B738	27.10. – 28.03.	–
-2-----	18.20	19.35	PC3173	A320/B738	29.10. – 24.03.	–
-----6-	08.40	09.55	PC3163	A320/B738	02.11. – 28.03.	–

→ Kiev (KBP)

1234567	22.15	01.30+	PC1722	A320/B738	27.10. – 28.03.	–
---------	-------	--------	--------	-----------	-----------------	---

→ Nicosia (ECN)

1234567	08.50	10.05	PC1881	A320/B738	27.10. – 28.03.	–
1-3-567	19.25	20.40	PC1883	A320/B738	27.10. – 28.03.	–
-2--5--	15.20	16.35	PC1885	A320/B738	29.10. – 27.03.	–
--3---7	16.55	18.10	PC1885	A320/B738	27.10. – 25.03.	–
---4---	09.15	10.30	PC1885	A320/B738	31.10. – 26.03.	–

→ Stuttgart (STR)

-----5--	05.50	08.15	PC1693	A320/B738	01.11. – 27.03.	–
----------	-------	-------	--------	-----------	-----------------	---

→ Vienna (VIE)

-----5-7	05.45	07.35	PC1674	A320/B738	27.10. – 27.03.	–
----------	-------	-------	--------	-----------	-----------------	---

All times local
 + = Arrival next day
 ++ = Arrival 2nd day

Schedule subject to change without prior notice

- = Nonstop
 ② = Biweekly

Days of Operation	Dept.	Arr.	Flight No.	Aircraft Type	Operation Period	Via/ Stop
-------------------	-------	------	------------	---------------	------------------	-----------

Days of Operation	Dept.	Arr.	Flight No.	Aircraft Type	Operation Period	Via/ Stop
-------------------	-------	------	------------	---------------	------------------	-----------

FROM ANTALYA (AYT)

→ Adana (ADA)

1234567	07.15	08.15	PC3601	A320/B738	27.10. – 28.03.	–
123–5–7	17.55	18.55	PC3603	A320/B738	27.10. – 27.03.	–

→ Amman (AMM)

1234567	23.45	01.15+	PC1800	A320/B738	27.10. – 28.03.	–
---------	-------	--------	--------	-----------	-----------------	---

→ Amsterdam (AMS)

1-----	17.20	20.35	CD0021	B738	04.11. – 25.11.	–
1-----	19.40	22.50	XC0021	B738	07.10. – 28.10.	–
-2-----	14.45	18.00	CD0022	B738	05.11. – 24.03.	–
-2-----	19.40	22.50	XC0022	B738	01.10. – 22.10.	–
-3-----	19.40	22.50	XC0023	B738	02.10. – 30.10.	–
---4---	19.40	22.50	XC0024	B738	03.10. – 24.10.	–
---5---	12.50	16.05	CD0025	B738	01.10. – 29.11.	–
---5---	15.20	18.35	CO0525	B738	06.03. – 27.03.	–
---5---	19.40	22.50	XC0025	B738	04.10. – 25.10.	–
---6---	13.00	16.15	CD0026	B738	02.11. – 28.03.	–
-----7	04.00	07.20	XC0026	B738	06.10. – 27.10.	–
-----7	19.40	22.50	XC0027	B738	06.10. – 27.10.	–

→ Ankara (ESB)

1234567	07.30	08.35	PC8041	A320/B738	27.10. – 28.03.	–
1234567	20.20	21.25	PC8043	A320/B738	27.10. – 28.03.	–

→ Arbil (EBL)

1-3-56-	00.15	02.25	PC1830	A320/B738	08.03. – 27.03.	–
---------	-------	-------	--------	-----------	-----------------	---

→ Basel (BSL)

---4---	14.50	17.20	XC8041	A320	03.10. – 24.10.	–
-----7	15.20	17.50	XC8073	A320	06.10. – 27.10.	–

→ Berlin–Tegel (TXL)

-2-----	06.30	09.00	XC2271	B737/B738	05.11. – 24.03.	–
-2-----	15.00	17.25	XC2271	A320	01.10. – 29.10.	–
---4---	06.00	08.25	XC4273	B738/A320	03.10. – 31.10.	–
---5---	06.00	08.30	XC5271	B737/B738	01.11. – 27.03.	–
---6---	06.00	08.25	XC7271	A320	05.10. – 26.10.	–
---6---	15.00	17.30	XC7271	B737/B738	02.11. – 28.03.	–

→ Brussels (BRU)

1-----	11.40	14.40	XC0121	B738	07.10. – 28.10.	–
-2-----	20.40	23.40	XC0225	B738	01.10. – 29.10.	–
---3---	21.30	00.30+	XC0321	B738	02.10. – 13.11.	–
---4---	19.30	22.30	XC0421	B738	03.10. – 31.10.	–
---5---	22.55	01.55+	XC0521	B738	04.10. – 01.11.	–
---6---	22.50	01.50+	XC0621	B738	05.10. – 26.10.	–
---6---	06.00	09.00	XC0621	B738	02.11. – 28.03.	–
-----7	06.00	09.00	XC1725	B738/A320	06.10. – 24.11.	–

→ Bucharest (OTP)

---5---	07.15	09.05	XC0551	B737/B738	01.11. – 27.03.	–
---------	-------	-------	--------	-----------	-----------------	---

FROM ANTALYA (AYT)

→ Cologne (CGN)

1-----	09.00	11.45	XC1013	B738	04.11. – 30.03.	–
1-----	23.55	02.45+	XC1903	B738	07.10. – 28.10.	–
-2-----	13.30	16.20	XC1023	B738	05.11. – 24.03.	–
-2-----	23.55	02.45+	XC2903	B738/A320	01.10. – 29.10.	–
---3---	23.55	02.45+	XC3903	B738/A320	02.10. – 30.10.	–
---4---	23.55	02.45+	XC4903	A320	03.10. – 24.10.	–
---5---	14.45	17.30	XC5903	B737/B738	01.11. – 27.03.	–
---5---	23.55	02.45+	XC5903	B738/A320	04.10. – 25.10.	–
---6---	08.00	10.45	XC1025	B738	02.11. – 28.03.	–
---6---	22.15	01.05+	XC6903	B738/A320	05.10. – 26.10.	–
---7---	23.55	02.45+	XC7903	B738/A320	06.10. – 27.10.	–

→ Copenhagen (CPH)

-----7	05.00	07.55	XC0785	B737/B738	09.02. – 29.03.	–
-----7	06.00	08.50	XC0785	B737/B738	06.10. – 10.11.	–

→ Dresden (DRS)

1-----	06.50	09.05	XC1271	B738/A320	07.10. – 28.10.	–
---4---	06.50	09.05	XC4271	B738/A320	03.10. – 31.10.	–
---4---	15.20	17.30	XC4271	B737/B738	07.11. – 26.03.	–
---6---	06.00	08.15	XC6271	A320	05.10. – 26.10.	–
---6---	15.20	17.30	XC6271	B737/B738	02.11. – 28.03.	–

→ Dusseldorf (DUS)

1-----	06.00	08.50	XC1407	B737/B738	04.11. – 23.03.	–
1-----	09.30	12.20	XC1407	B738/A320	07.10. – 28.10.	–
-2-----	06.00	08.50	XC2407	B737/B738	05.11. – 24.03.	–
-2-----	09.30	12.20	XC2407	B738/A320	01.10. – 29.10.	–
---3---	09.30	12.20	XC3407	B738/A320	02.10. – 30.10.	–
---4---	06.00	08.50	XC4407	B737/B738	07.11. – 26.03.	–
---4---	09.30	12.20	XC4407	B738/A320	03.10. – 31.10.	–
---5---	06.00	08.50	XC5407	B737/B738	01.11. – 27.03.	–
---5---	09.30	12.20	XC5407	B738/A320	04.10. – 25.10.	–
---6---	06.00	08.50	XC6407	B737/B738	02.11. – 28.03.	–
---6---	09.30	12.20	XC6407	B738	12.10. – 26.10.	–
---7---	06.00	08.50	XC7407	B737/B738	03.11. – 29.03.	–
---7---	09.30	12.20	XC7407	A320	06.10. – 27.10.	–

→ Frankfurt (FRA)

-2-----	14.25	17.05	XC8023	A320	01.10. – 22.10.	–
---5---	15.00	17.40	XC8051	A320	04.10. – 25.10.	–
---7---	06.00	08.50	XC9172	B738/A320	06.10. – 27.10.	–

→ Hamburg (HAM)

-2-----	06.00	08.45	XC2535	A320	01.10. – 29.10.	–
-2-----	06.15	08.55	XC2535	B738	05.11. – 24.03.	–
---4---	14.30	17.15	XC4535	B737/B738	07.11. – 26.03.	–
---4---	15.30	18.15	XC4535	A320	03.10. – 31.10.	–
---6---	14.30	17.15	XC6535	B737/B738	02.11. – 28.03.	–
---6---	16.30	18.15	XC6535	B738/A320	05.10. – 26.10.	–
---7---	14.35	17.20	XC7535	B737/B738	03.11. – 29.03.	–

All times local
 + = Arrival next day
 ++ = Arrival 2nd day

Schedule subject to change without prior notice

– = Nonstop
 ② = Biweekly

Days of Operation	Dept.	Arr.	Flight No.	Aircraft Type	Operation Period	Via/ Stop
-------------------	-------	------	------------	---------------	------------------	-----------

FROM ANTALYA (AYT)

→ Hanover (HAJ)

1-----	06.00	08.40	XC1301	B738	04.11.-23.03.	-
1-----	23.15	01.55+	XC1881	B738/A320	07.10.-28.10.	-
-2-----	22.50	01.30+	XC2881	B738/A320	01.10.-29.10.	-
--3----	06.00	08.40	XC3301	B737/B738	06.11.-25.03.	-
--3----	22.50	01.30+	XC3881	B738/A320	02.10.-30.10.	-
---4---	06.00	09.40	XC4301	B738	07.11.-26.03.	-
---4---	23.05	01.45+	XC4881	A320	03.10.-31.10.	-
---5---	14.50	17.30	XC5301	B737/B738	01.11.-27.03.	-
---5---	22.50	01.30+	XC5881	B738/A320	04.10.-25.10.	-
-----6-	21.15	23.55	XC6881	B738/A320	05.10.-26.10.	-
-----7	22.50	01.30+	XC7881	A320	06.10.-27.10.	-

→ Helsinki (HEL)

-----6-	06.00	09.55	XC0671	B737/B738	15.02.-28.03.	-
-----6-	07.00	10.55	XC0671	B737/B738	05.10.-09.11.	-
-----7	07.00	10.55	XC0771	B737/B738	06.10.-27.10.	-

→ Istanbul Sabiha Gökçen (SAW)

1234567	08.45	10.00	PC2003	A320/B738	27.10.-28.03.	-
1234567	16.30	17.45	PC2013	A320/B738	27.10.-28.03.	-
1234567	18.50	20.05	PC2021	A320/B738	27.10.-28.03.	-
1234567	04.30	05.45	PC2029	A320/B738	27.10.-28.03.	-
123456-	10.05	11.20	PC2005	A320/B738	28.10.-28.03.	-
12345-7	12.55	14.10	PC2009	A320/B738	27.10.-27.03.	-
12--567	20-20	21-35	PC2023	A320/B738	27.10.-28.03.	-
1-3-567	07.00	08.15	PC2001	A320/B738	27.10.-28.03.	-
1-3-56-	06.15	07.30	PC2033	A320/B738	28.10.-28.03.	-
1----67	11.30	12.45	PC2007	A320/B738	27.10.-28.03.	-
-2-4-67	15.00	16.15	PC2011	A320/B738	27.10.-28.03.	-
-2-4-6-	07.50	09.05	PC2031	A320/B738	29.10.-28.03.	-
-2-4----	07.00	08.15	PC2001	A320/B738	29.10.-26.03.	-
-2-----	20.25	21.40	PC2027	A320/B738	29.10.-24.03.	-
--34567	18.05	19.20	PC2015	A320/B738	27.10.-28.03.	-
--3-67	21.45	23.00	PC2027	A320/B738	27.10.-24.11.	-
--3-67	21.45	23.00	PC2027	A320/B738	01.01.-28.03.	-
---45--	21.15	22.30	PC2027	A320/B738	31.10.-27.03.	-
---5---	12.25	13.35	PC2017	A320/B738	01.11.-27.03.	-
-----67	12.20	13.35	PC2017	A320/B738	27.10.-24.11.	-
-----67	12.20	13.35	PC2017	A320/B738	04.01.-28.03.	-
-----67	21.45	23.00	PC2027	A320/B738	30.11.-29.12.	-
-----7	12.20	13.35	PC2017	A320/B738	01.12.-29.12.	-
-----7	14.25	15.35	PC2005	A320/B738	27.10.-22.03.	-
-----7	22.40	23.55	PC2033	A320/B738	27.10.-22.03.	-

→ Kayseri (ASR)

1-456-	14.45	15.50	PC3502	A320/B738	28.10.-28.03.	-
2-----7	05.45	06.50	PC3502	A320/B738	27.10.-24.03.	-
--3----	07.55	09.00	PC3502	A320/B738	30.10.-25.03.	-

→ Krasnodar (KRR)

---4-7	08.30	10.35	PC0384	A320/B738	27.10.-26.03.	-
--------	-------	-------	--------	-----------	---------------	---

All times local
 + = Arrival next day
 ++ = Arrival 2nd day

Schedule subject to change without prior notice

- = Nonstop
 ② = Biweekly

Days of Operation	Dept.	Arr.	Flight No.	Aircraft Type	Operation Period	Via/ Stop
-------------------	-------	------	------------	---------------	------------------	-----------

FROM ANTALYA (AYT)

→ Leipzig (LEJ)

1-----	09.00	11.20	XC8011	A320	07.10.-21.10.	-
1-----	12.20	14.50	XC9103	B738	04.11.-23.03.	-
-2-----	11.40	14.05	XC9123	B738	01.10.-29.10.	-
--3----	06.30	08.50	XC3041	B738	06.11.-25.03.	-
--3----	13.30	15.55	XC3041	B738/A320	02.10.-30.10.	-
---4---	06.00	08.30	XC8043	A320	03.10.-24.10.	-
---5---	06.20	08.40	XC5041	B737/B738	01.11.-27.03.	-
---5---	06.50	09.15	XC5041	B738/A320	04.10.-25.10.	-
---6---	06.30	08.50	XC6041	B738	02.11.-28.03.	-
-----6-	07.50	10.15	XC6041	A320	05.10.-26.10.	-
-----7	17.00	19.25	XC0825	B737/B738	06.10.-03.11.	-

→ Maastricht (MST)

1-----	14.00	17.00	XC0592	B738	04.11.-30.03.	-
-2-----	04.35	07.35	XC0805	B738	01.10.-29.10.	-
--3----	19.55	22.55	XC0516	B738	02.10.-23.10.	-
---4---	14.30	17.30	XC0592	B738	07.11.-28.11.	-
---4---	14.30	17.30	XC0592	B738	20.02.-26.03.	-
---5---	20.00	22.55	XC0596	B738	04.10.-01.11.	-
-----7	11.30	14.25	XC0714	B738	06.10.-27.10.	-

→ Munster (FMO)

1-----	06.00	08.55	XC1103	B737/B738	07.10.-28.10.	-
-2---6-	20.00	22.50	XC9038	B738	02.11.-28.03.	-
--3----	23.45	02.35+	XC9038	B738	02.10.-30.10.	-
---5---	05.00	07.55	XC5103	B738/A320	04.10.-25.10.	-

→ Munich (MUC)

1-----	11.15	13.30	XC9113	B738	07.10.-28.10.	-
-2-----	13.10	15.25	XC9203	B738	05.11.-24.03.	-
--3----	13.00	15.45	XC9303	B738	06.11.-25.03.	-
---4---	06.15	08.30	XC4303	B737/B738	07.11.-26.03.	-
-----6-	06.15	08.30	XC5303	B737/B738	02.11.-28.03.	-
-----6-	07.10	09.25	XC9162	B738	12.10.-26.10.	-
-----7	15.20	17.35	XC9175	B738/A320	06.10.-27.10.	-

→ Nicosia (ECN)

1234567	05.40	06.35	PC1870	A320/B738	27.10.-28.03.	-
123--67	13.40	14.35	PC1872	A320/B738	27.10.-28.03.	-
---45--	19.30	20.25	PC1872	A320/B738	31.10.-27.03.	-

→ Nuremberg (NUE)

1-----	11.05	13.25	XC2113	B738	04.11.-30.03.	-
1-----	23.40	01.55+	XC1905	B738/A320	07.10.-28.10.	-
-2-----	23.10	01.25+	XC8025	A320	01.10.-22.10.	-
-2-----	23.40	01.55+	XC2905	A320	01.10.-29.10.	-
--3----	22.30	00.45+	XC2905	B738/A320	02.10.-30.10.	-
---4---	22.50	01.05+	XC4805	A320	03.10.-24.10.	-
---4---	22.30	00.50+	XC2113	B738	03.10.-26.03.	-
---5---	23.15	01.30+	XC5905	A320	04.10.-25.10.	-
-----6-	09.00	11.20	XC2113	B738	02.11.-28.03.	-
-----6-	23.00	01.15+	XC6905	A320	05.10.-26.10.	-
-----7	23.50	02.05+	XC7905	B738	06.10.-27.10.	-

Days of Operation	Dept.	Arr.	Flight No.	Aircraft Type	Operation Period	Via/ Stop
-------------------	-------	------	------------	---------------	------------------	-----------

FROM ANTALYA (AYT)

→ Stuttgart (STR)

1-----	06.15	08.45	XC1703	B737/B738	04.11. - 23.03.	-
--3----	06.15	08.45	XC3703	B737/B738	06.11. - 25.03.	-
--3----	14.20	16.45	XC3703	A320	02.10. - 30.10.	-
----5--	15.15	17.45	XC5703	B737/B738	01.11. - 27.03.	-
-----7	14.35	17.00	XC7703	A320	06.10. - 27.10.	-
-----7	15.20	17.50	XC7703	B737/B738	03.11. - 29.03.	-

→ Tel Aviv (TLV)

1-3-5--	21.00	22.30	XC0445	B737/B738	02.10. - 21.10.	-
--2-4--7	06.00	07.30	XC0475	B738	01.10. - 27.10.	-
--2-4--7	16.30	18.00	XC0441	B738	03.10. - 31.10.	-
--2-4--7	21.30	23.00	XC0447	B738	01.10. - 29.10.	-
-2-----	01.00	02.30	XC0445	B737/B738	04.11. - 23.03.	-
-2-----	11.00	12.30	XC0441	B738	05.11. - 24.03.	-
--3--67	20.45	22.05	PC0787	A320/B738	27.10. - 28.03.	-
---4--7	05.30	07.00	XC0441	B738	03.11. - 29.03.	-
---4--7	10.30	12.00	XC0443	B737/B738	03.11. - 29.03.	-

→ Trabzon (TZX)

1-----	17.00	18.40	PC4552	A320/B738	28.10. - 23.03.	-
--2-4567	18.10	19.50	PC3532	A320/B738	27.10. - 28.03.	-
--3-----	11.10	12.50	PC3532	A320/B738	30.10. - 25.03.	-

→ Warsaw (WAW)

--3-----	07.35	09.30	XC0375	B738	02.10. - 30.10.	-
-----6-	06.00	08.00	XC0375	B738	05.10. - 26.10.	-

→ Zurich (ZRH)

--3-----	12.20	14.50	XC8033	A320	02.10. - 23.10.	-
-----6-	14.00	16.30	XC8033	A320	05.10. - 26.10.	-

FROM ARAR (RAE)

→ Ad Dammam (DMM)

---4-6-	15.40	17.20	XY0757	A321	03.10. - 28.03.	-
---------	-------	-------	--------	------	-----------------	---

Days of Operation	Dept.	Arr.	Flight No.	Aircraft Type	Operation Period	Via/ Stop
-------------------	-------	------	------------	---------------	------------------	-----------

FROM ARBIL (EBL)

→ Ankara (ESB)

--2-45-7	16.40	18.40	PC1705	A320/B738	27.10. - 27.03.	-
--2-4--7	02.20	04.20	PC1703	A320/B738	27.10. - 26.03.	-

→ Antalya (AYT)

1-3-56-	03.15	05.35	PC1831	A320/B738	09.03. - 28.03.	-
---------	-------	-------	--------	-----------	-----------------	---

→ Istanbul Sabiha Gökçen (SAW)

1234567	03.00	05.35	PC0817	A320/B738	27.10. - 28.03.	-
---------	-------	-------	--------	-----------	-----------------	---

→ Jeddah (JED)

1--4-6-	04.30	09.30	XY0612	A320	03.10. - 30.03.	-
---------	-------	-------	--------	------	-----------------	---

→ Medina (MED)

1--4-6-	04.30	07.30	XY0606	A320	03.10. - 30.03.	-
---------	-------	-------	--------	------	-----------------	---

FROM ASSIUT (ATZ)

→ Kuwait (KWI)

12-456-	01.20	04.50	J90702	A320	28.10. - 28.03.	-
---------	-------	-------	--------	------	-----------------	---

FROM ATHENS (ATH)

→ Istanbul Sabiha Gökçen (SAW)

1-3-56-	11.10	12.30	PC1192	A320/B738	28.10. - 28.03.	-
--2-4--7	17.45	19.05	PC1192	A320/B738	27.10. - 26.03.	-

FROM BAGHDAD (BGW)

→ Istanbul Sabiha Gökçen (SAW)

1234567	03.15	05.25	PC0657	A320/B738	27.10. - 28.03.	-
---------	-------	-------	--------	-----------	-----------------	---

→ Jeddah (JED)

1---5--	10.10	13.00	XY0606	A320	01.10. - 31.03.	-
-2----7	10.20	14.40	XY0606	A320	01.10. - 31.03. MED	-

→ Medina (MED)

-2----7	10.20	12.30	XY0606	A320	01.10. - 31.03.	-
---------	-------	-------	--------	------	-----------------	---

All times local
 + = Arrival next day
 ++ = Arrival 2nd day

Schedule subject to change without prior notice

- = Nonstop
 ② = Biweekly

Days of Operation	Dept.	Arr.	Flight No.	Aircraft Type	Operation Period	Via/ Stop
-------------------	-------	------	------------	---------------	------------------	-----------

FROM BAHRAIN (BAH)

→ Istanbul Sabiha Gökçen (SAW)

1234567	02.10	05.30	PC0825	A320/B738	27.10. – 28.03.	–
---------	-------	-------	--------	-----------	-----------------	---

→ Kuwait (KWI)

1234567	18.40	19.55	J90104	A320	27.10. – 28.03.	–
12–4––7	07.40	08.55	J90102	A320	27.10. – 26.03.	–

FROM BAKU (GYD)

→ Kuwait (KWI)

–2–4–6–	13.50	15.10	J90602	A320	29.10. – 28.03.	–
---------	-------	-------	--------	------	-----------------	---

FROM BARCELONA (BCN)

→ Istanbul Sabiha Gökçen (SAW)

1234567	12.35	17.05	PC1092	A320/B738	27.10. – 28.03.	–
---------	-------	-------	--------	-----------	-----------------	---

FROM BASEL (BSL)

→ Antalya (AYT)

–––4–––	18.20	22.45	XC8042	A320	03.10. – 24.10.	–
–––––7	18.40	23.05	XC8074	A320	06.10. – 27.10.	–

→ Istanbul Sabiha Gökçen (SAW)

1234567	13.00	16.55	PC0940	A320/B738	27.10. – 28.03.	–
1234567	16.35	20.30	PC0942	A320/B738	27.10. – 17.11.	–
1234567	16.35	20.30	PC0942	A320/B738	16.12. – 28.03.	–
–23–567	16.35	20.30	PC0942	A320/B738	19.11. – 15.12.	–

FROM BASRAH (BSR)

→ Istanbul Sabiha Gökçen (SAW)

–23–5–7	03.20	05.50	PC0667	A320/B738	27.10. – 27.03.	–
---------	-------	-------	--------	-----------	-----------------	---

FROM BATMAN (BAL)

→ Istanbul Sabiha Gökçen (SAW)

1234567	09.30	11.30	PC2371	A320/B738	27.10. – 28.03.	–
---------	-------	-------	--------	-----------	-----------------	---

Days of Operation	Dept.	Arr.	Flight No.	Aircraft Type	Operation Period	Via/ Stop
-------------------	-------	------	------------	---------------	------------------	-----------

FROM BEIRUT (BEY)

→ Istanbul Sabiha Gökçen (SAW)

1234567	03.35	05.30	PC0758	A320/B738	27.10. – 28.03.	–
1234567	05.35	06.35	PC0863	A320/B738	27.10. – 28.03.	–

→ Riyadh (RUH)

––34–67	22.45	02.25+	XY0302	A320	02.10. – 29.03.	–
---------	-------	--------	--------	------	-----------------	---

FROM BELGRAD (BEG)

→ Istanbul Sabiha Gökçen (SAW)

1––45–7	13.05	14.45	PC0372	A320/B738	27.10. – 27.03.	–
---------	-------	-------	--------	-----------	-----------------	---

FROM BERGAMO (BGY)

→ Istanbul Sabiha Gökçen (SAW)

1234567	12.15	15.55	PC1212	A320/B738	27.10. – 28.03.	–
1––––6–	17.20	21.00	PC1214	A320/B738	28.10. – 28.03.	–

FROM BERLIN–SCHOENEFELD (SXF)

→ Heraklion (HER)

––––5–	18.00	22.10	XR5204	B738	04.10. – 25.10.	–
--------	-------	-------	--------	------	-----------------	---

→ Marrakech (RAK)

–––––7	12.50	16.15	XR9174	B738	13.10. – 08.12.	②
–––––7	12.50	16.15	XR9174	B738	16.02. – 29.03.	②

All times local
 + = Arrival next day
 ++ = Arrival 2nd day

Schedule subject to change without prior notice

– = Nonstop
 ② = Biweekly

Days of Operation	Dept.	Arr.	Flight No.	Aircraft Type	Operation Period	Via/ Stop
-------------------	-------	------	------------	---------------	------------------	-----------

FROM BERLIN-TEGEL (TXL)

→ Antalya (AYT)

-2-----	10.00	14.20	XC2272	B737/B738	05.11. - 24.03.	-
-2-----	18.25	22.40	XC2272	A320	01.10. - 29.10.	-
----4---	09.25	13.40	XC4274	B738/A320	03.10. - 31.10.	-
-----5--	09.30	13.50	XC5272	B737/B738	01.11. - 27.03.	-
-----7	09.15	12.30	XC7272	A320	06.10. - 27.10.	-
-----7	18.30	22.50	XC7272	B737/B738	03.11. - 29.03.	-

→ Heraklion (HER)

1-----	09.25	13.30	XR0154	B738	07.10. - 28.10.	-
-----5--	10.35	14.40	XR0554	B738	04.10. - 25.10.	-

→ Istanbul Sabiha Gökçen (SAW)

1234567	11.35	15.15	PC0978	A320/B738	27.10. - 28.03.	-
1---5-7	14.00	17.50	PC0980	A320/B738	27.10. - 27.03.	-
-234-6-	14.00	17.50	PC0980	A320/B738	29.10. - 23.11.	-
-234-6-	14.00	17.50	PC0980	A320/B738	17.12. - 28.03.	-
---4-6-	14.00	17.50	PC0980	A320/B738	28.11. - 14.12.	-

FROM BINGÖL (BGG)

→ Istanbul Sabiha Gökçen (SAW)

1-3--6-	09.35	11.30	PC2451	A320/B738	28.10. - 28.03.	-
---------	-------	-------	--------	-----------	-----------------	---

FROM BISHA (BHH)

→ Abha (AHB)

---4-6-	12.50	13.30	XY0855	A319	03.10. - 28.03.	-
---------	-------	-------	--------	------	-----------------	---

FROM BISHKEK (FRU)

→ Istanbul Sabiha Gökçen (SAW)

1234567	06.55	08.45	PC0701	A320/B738	27.10. - 28.03.	-
---------	-------	-------	--------	-----------	-----------------	---

Days of Operation	Dept.	Arr.	Flight No.	Aircraft Type	Operation Period	Via/ Stop
-------------------	-------	------	------------	---------------	------------------	-----------

FROM BODRUM (BJV)

→ Ankara (ESB)

1--45-7	20.55	22.10	PC2467	A320/B738	27.10. - 27.03.	-
---------	-------	-------	--------	-----------	-----------------	---

→ Istanbul Sabiha Gökçen (SAW)

1234567	17.20	18.35	PC2253	A320/B738	27.10. - 28.03.	-
1-----	06.55	08.10	PC2241	A320/B738	28.10. - 23.03.	-
1-----	21.45	23.00	PC2263	A320/B738	28.10. - 23.03.	-
-23-567	06.45	08.00	PC2241	A320/B738	27.10. - 29.11.	-
-23-567	06.45	08.00	PC2241	A320/B738	28.12. - 03.01.	-
-23-567	06.45	08.00	PC2241	A320/B738	14.01. - 28.03.	-
-23-5-7	06.45	08.00	PC2241	A320/B738	01.12. - 27.12.	-
-23-5-7	06.45	08.00	PC2241	A320/B738	05.01. - 12.01.	-
-23--67	21.35	22.50	PC2263	A320/B738	27.10. - 07.01.	-
-23--67	21.35	22.50	PC2263	A320/B738	11.01. - 28.03.	-
--3--67	11.10	12.25	PC2245	A320/B738	27.10. - 28.03.	-
---45--	15.05	16.20	PC2249	A320/B738	31.10. - 27.03.	-
---4---	06.50	08.05	PC2241	A320/B738	31.10. - 02.01.	-
---4---	06.50	08.05	PC2241	A320/B738	16.01. - 26.03.	-
---4---	21.05	22.20	PC2263	A320/B738	31.10. - 21.11.	-
---4---	21.05	22.20	PC2263	A320/B738	26.12. - 26.03.	-
---5-7	19.30	20.45	PC2257	A320/B738	27.10. - 27.03.	-
-----6-	06.30	07.45	PC2265	A320/B738	02.11. - 28.03.	-

FROM BOLOGNA (BLQ)

→ Istanbul Sabiha Gökçen (SAW)

1234567	13.15	16.45	PC1218	A320/B738	27.10. - 28.03.	-
---------	-------	-------	--------	-----------	-----------------	---

FROM BRUSSELS (BRU)

→ Antalya (AYT)

1-----	06.00	10.50	XC0122	B738	07.10. - 04.11.	-
-2-----	15.00	19.40	XC0226	B738	01.10. - 29.10.	-
--3----	06.00	10.50	XC0322	B738	02.10. - 13.11.	-
---4---	05.50	10.40	XC0422	B738	03.10. - 31.10.	-
---5---	06.00	10.50	XC0522	B738	04.10. - 01.11.	-
---6--	09.55	14.45	XC0622	B738	02.11. - 28.03.	-
---6--	15.50	20.40	XC0622	B738	05.10. - 26.10.	-
---7---	10.00	14.50	XC1726	B738/A320	06.10. - 24.11.	-

→ Marrakech (RAK)

---4---	13.00	15.30	XR9144	B738	10.10. - 12.12.	②
---------	-------	-------	--------	------	-----------------	---

FROM BRUSSELS-CHARLEROI (CRL)

→ Istanbul Sabiha Gökçen (SAW)

1234567	12.05	15.25	PC0802	A320/B738	27.10. - 28.03.	-
1---567	16.15	19.35	PC0804	A320/B738	27.10. - 28.03.	-
-234---	16.15	19.35	PC0804	A320/B738	29.10. - 14.11.	-
-234---	16.15	19.35	PC0804	A320/B738	10.12. - 26.03.	-

All times local
 + = Arrival next day
 ++ = Arrival 2nd day

Schedule subject to change without prior notice

- = Nonstop
 ② = Biweekly

Days of Operation	Dept.	Arr.	Flight No.	Aircraft Type	Operation Period	Via/ Stop
-------------------	-------	------	------------	---------------	------------------	-----------

FROM BUCHAREST (OTP)

→ Antalya (AYT)

----	5--	10.05	11.50	XC0552	B737/B757	01.11. - 27.03. -
------	-----	-------	-------	--------	-----------	-------------------

→ Istanbul Sabiha Gökçen (SAW)

1--	4---	17.40	19.00	PC0364	A320/B738	28.10. - 26.03. -
--	3-5-7	10.35	11.55	PC0364	A320/B738	27.10. - 27.03. -

FROM BUDAPEST (BUD)

→ Istanbul Sabiha Gökçen (SAW)

1--	4-5-6-7	14.45	17.45	PC0332	A320/B738	27.10. - 28.03. -
-	23----	14.45	17.45	PC0332	A320/B738	29.10. - 30.10. -
-	23----	14.45	17.45	PC0332	A320/B738	17.12. - 01.01. -
-	23----	14.45	17.45	PC0332	A320/B738	21.01. - 25.03. -

FROM CAIRO (CAI)

→ Ad Dammam (DMM)

1234567	21.40	01.15+	XY0895	A321	01.10. - 31.03. -
---------	-------	--------	--------	------	-------------------

→ Jeddah (JED)

1234567	20.50	00.00	XY0568	A320	01.10. - 31.10. -	
--	34567	07.50	11.00	XY0566	A320	02.10. - 29.03. -

→ Kuwait (KWI)

1234567	12.20	15.50	J90732	A320	27.10. - 28.03. -	
1234567	21.20	00.50+	J90734	A320	27.10. - 28.03. -	
-	234-6-	20.00	23.30	J90736	A320	29.10. - 28.03. -

→ Riyadh (RUH)

1234567	11.30	15.00	XY0264	A320	01.10. - 31.10. -
1234567	21.30	01.00+	XY0266	A320	01.10. - 31.10. -
123-5-7	14.55	18.25	XY0268	A320	01.10. - 31.10. -

All times local
 + = Arrival next day
 ++ = Arrival 2nd day

Schedule subject to change without prior notice

- = Nonstop
 ② = Biweekly

Days of Operation	Dept.	Arr.	Flight No.	Aircraft Type	Operation Period	Via/ Stop
-------------------	-------	------	------------	---------------	------------------	-----------

FROM CANCUN (CUN)

→ Madrid (MAD)

1-----	21.45	13.00+	E90814	A350	04.11. - 27.04. -	
-----	5--	21.45	13.00+	E90814	A350	01.11. - 13.12. -
-----	5--	21.45	13.00+	E90814	A333	20.12. - 24.04. -

→ Milan-Malpensa (MXP)

-----	4---	21.15	15.55+	N00439	B787/767	07.11. - 12.12. FCO
-----	4---	18.15	10.00+	N00438	B787/767	19.12. - 26.03. -
-----	7	23.40	18.15+	N00731	B787/767	22.12. - 29.03. FCO

→ Rome-Fiumicino (FCO)

-----	4---	21.15	13.10+	N00439	B787/767	07.11. - 12.12. -
-----	7	23.40	15.35+	N00731	B787/767	22.12. - 29.03. -

FROM CASABLANCA (CMN)

→ Istanbul Sabiha Gökçen (SAW)

1-3-5-7	23.20	06.00+	PC0652	A320/B738	27.10. - 27.03. -
---------	-------	--------	--------	-----------	-------------------

FROM CATANIA (CTA)

→ Amsterdam (AMS)

1--	4---	10.50	14.05	CD0194	B738	03.10. - 31.10. -
-----	------	-------	-------	--------	------	-------------------

FROM COCHIN (COK)

→ Kuwait (KWI)

----	4-5-6-7	01.40	08.35	J90406	A320	31.10. - 28.03. -
------	---------	-------	-------	--------	------	-------------------

Days of Operation	Dept.	Arr.	Flight No.	Aircraft Type	Operation Period	Via/ Stop
-------------------	-------	------	------------	---------------	------------------	-----------

FROM COLOGNE (CGN)

→ Ankara (ESB)

-----6-	00.55+	05.15	PC1682	A320/B738	02.11. – 28.03.	-
-----7	10.15	14.35	PC1682	A320/B738	27.10. – 22.03.	-

→ Antalya (AYT)

1-----	03.30	08.00	XC1012	B738	04.11. – 30.03.	-
1-----	03.50	08.20	XC1904	B738/A320	07.10. – 28.10.	-
-2-----	03.50	08.20	XC2904	A320	01.10. – 29.10.	-
-2-----	08.00	12.30	XC1022	B738	05.11. – 24.03.	-
-3-----	04.00	08.30	XC3904	A320	09.10. – 30.10.	-
---4---	04.00	08.30	XC4904	B738/A320	03.10. – 31.10.	-
---5---	04.00	08.30	XC5904	B738/A320	04.10. – 25.10.	-
---5---	18.20	22.50	XC5904	B737/B738	01.11. – 27.03.	-
---6---	02.30	07.00	XC1024	B738	02.11. – 28.03.	-
---6---	03.50	08.20	XC6904	B738	05.10. – 26.10.	-
---7---	03.50	08.20	XC6904	B737/B738	06.10. – 27.10.	-

→ Fuerteventura (FUE)

---4---	05.00	08.35	XR1058	B738	03.11. – 29.03.	-
---7---	13.00	16.40	XR1070	B738	06.10. – 27.10.	-

→ Heraklion (HER)

1--4--6-	04.00	08.20	XR1012	B738	03.10. – 31.10.	-
----------	-------	-------	--------	------	-----------------	---

→ Istanbul Sabiha Gökçen (SAW)

1234567	01.10	05.20	PC1014	A320/B738	27.10. – 28.03.	-
1234567	15.05	19.15	PC1018	A320/B738	27.10. – 18.11.	-
1234567	15.05	19.15	PC1018	A320/B738	14.12. – 28.03.	-
1234567	11.25	15.35	PC1012	A320/B738	27.10. – 28.03.	-
1-3-5-7	15.05	19.15	PC1018	A320/B738	20.11. – 13.12.	-

→ Izmir (ADB)

1-----	02.50	07.00	XC3510	B738	07.10. – 28.10.	-
-2--5--	17.10	21.15	XC1026	B738	01.10. – 27.03.	-

→ Las Palmas (LPA)

--3--6-	12.00	15.35	XR1034	B738	02.11. – 28.03.	-
--3----	13.00	16.35	XR1032	B738	02.10. – 30.10.	-

→ Palma de Mallorca (PMI)

-2--5--	12.20	14.40	XR1022	B738	01.10. – 29.10.	-
---------	-------	-------	--------	------	-----------------	---

→ Rhodes (RHO)

-2--5--	03.30	07.50	XR1020	B738	01.10. – 29.10.	-
---------	-------	-------	--------	------	-----------------	---

→ Tenerife–South (TFS)

----5--	06.00	09.45	XR1046	B738	01.11. – 27.03.	-
----6--	13.00	17.00	XR1060	B738	05.10. – 26.10.	-
-----7	15.50	19.35	XR1046	B738	03.11. – 29.03.	-

Days of Operation	Dept.	Arr.	Flight No.	Aircraft Type	Operation Period	Via/ Stop
-------------------	-------	------	------------	---------------	------------------	-----------

FROM COPENHAGEN (CPH)

→ Antalya (AYT)

-----7	08.50	13.30	XC0786	B737/B738	03.11. – 29.03.	-
-----7	10.50	15.25	XC0786	B737/B738	06.10. – 27.10.	-

→ Istanbul Sabiha Gökçen (SAW)

1234567	10.45	15.00	PC1072	A320/B738	27.10. – 28.03.	-
123456-	14.55	19.10	PC1074	A320/B738	28.10. – 11.11.	-
123456-	14.55	19.10	PC1074	A320/B738	10.12. – 28.03.	-
1---5--	14.55	19.10	PC1074	A320/B738	15.11. – 09.12.	-

→ Konya (KYA)

--3-5--	16.45	21.20	PC1772	A320/B738	02.11. – 28.03.	-
---------	-------	-------	--------	-----------	-----------------	---

FROM CORLU (TEQ)

→ Ankara (ESB)

1-3-5-67	10.50	11.50	PC8181	A320/B738	27.10. – 28.03.	-
----------	-------	-------	--------	-----------	-----------------	---

FROM DALAMAN (DLM)

→ Istanbul Sabiha Gökçen (SAW)

1234567	07.10	08.20	PC2281	A320/B738	27.10. – 28.03.	-
1234567	12.05	13.15	PC2289	A320/B738	27.10. – 28.03.	-
1234567	21.25	22.35	PC2297	A320/B738	27.10. – 28.03.	-
----5-67	19.20	20.30	PC2293	A320/B738	27.10. – 28.03.	-
----5-7	17.55	19.05	PC2299	A320/B738	27.10. – 27.03.	-

FROM DHAKA (DAC)

→ Kuwait (KWI)

1234567	20.10	23.50	J90532	A320	15.11. – 28.03.	-
---------	-------	-------	--------	------	-----------------	---

FROM DINIZLI (DNZ)

→ Istanbul Sabiha Gökçen (SAW)

1-34567	08.00	09.00	PC2321	A320/B738	27.10. – 28.03.	-
12-4567	19.20	20.20	PC2323	A320/B738	27.10. – 28.03.	-

All times local
 + = Arrival next day
 ++ = Arrival 2nd day

Schedule subject to change without prior notice

- = Nonstop
 Ⓜ = Biweekly

Days of Operation	Dept.	Arr.	Flight No.	Aircraft Type	Operation Period	Via/ Stop
-------------------	-------	------	------------	---------------	------------------	-----------

FROM DOHA (DOH)

→ Istanbul Sabiha Gökçen (SAW)

1234567	02.35	06.15	PC0601	A320/B738	27.10. – 28.03.	–
–23–5–7	04.35	08.15	PC0603	A320/B738	27.10. – 27.03.	–

→ Kuwait (KWI)

1234567	04.15	05.35	J90112	A320	27.10. – 28.03.	–
1234567	09.00	10.20	J90114	A320	27.10. – 28.03.	–
1234567	15.20	16.40	J90116	A320	27.10. – 28.03.	–

FROM DRESDEN (DRS)

→ Antalya (AYT)

1-----	10.05	14.10	XC1272	B738/A320	07.10. – 28.10.	–
----4---	10.05	14.10	XC4272	B738/A320	03.10. – 31.10.	–
----4---	18.30	22.35	XC4272	B737/B738	07.11. – 26.03.	–
-----6-	09.10	13.15	XC6272	B738/A320	05.10. – 26.10.	–
-----6-	18.30	22.35	XC6272	B737/B738	02.11. – 28.03.	–

FROM DUBAI (DXB)

→ Istanbul Sabiha Gökçen (SAW)

1234567	02.30	06.40	PC0741	A320/B738	27.10. – 28.03.	–
---------	-------	-------	--------	-----------	-----------------	---

→ Jeddah (JED)

1234567	12.20	14.35	XY0502	A320	01.10. – 31.10.	–
1234567	19.30	21.45	XY0510	A320	01.10. – 31.10.	–

→ Kuwait (KWI)

1234567	10.10	11.15	J90122	A320	27.10. – 28.03.	–
1234567	17.15	18.20	J90124	A320	27.10. – 28.03.	–
1234567	22.10	23.15	J90128	A320	27.10. – 28.03.	–
----4-6-	19.35	20.40	J90126	A320	31.10. – 28.03.	–

→ Riyadh (RUH)

1234567	11.25	12.20	XY0202	A320	01.10. – 31.10.	–
1234567	19.45	20.40	XY0208	A320	01.10. – 31.10.	–
1234567	21.35	22.30	XY0210	A320	01.10. – 31.10.	–
1-34567	16.00	16.55	XY0206	A320	01.10. – 30.03.	–
-2-----	13.55	14.50	XY0206	A320	01.10. – 31.03.	–
----4---	19.35	20.30	XY0212	A320	03.10. – 26.03.	–
-----6-	19.00	19.55	XY0204	A320	05.10. – 28.03.	–

All times local
+ = Arrival next day
++ = Arrival 2nd day

Schedule subject to change without prior notice

– = Nonstop
② = Biweekly

Days of Operation	Dept.	Arr.	Flight No.	Aircraft Type	Operation Period	Via/ Stop
-------------------	-------	------	------------	---------------	------------------	-----------

FROM DUSSELDORF (DUS)

→ Adana (ADA)

-----5---	19.45	00.35+	PC1592	A320/B738	01.11. – 27.03.	–
-----------	-------	--------	--------	-----------	-----------------	---

→ Ankara (ESB)

-2--5---	17.05	21.30	PC1688	A320/B738	29.10. – 27.03.	–
----------	-------	-------	--------	-----------	-----------------	---

→ Antalya (AYT)

1-----	09.50	14.20	XC1408	B737/B738	04.11. – 30.03.	–
1-----	13.20	17.50	XC1408	B738/A320	07.10. – 28.10.	–
-2-----	09.50	14.20	XC2408	B737/B738	05.11. – 24.03.	–
-2-----	13.20	17.50	XC2408	B738/A320	01.10. – 29.10.	–
---3----	07.30	12.00	XC9302	B738	06.11. – 25.03.	–
---3----	13.20	17.50	XC3408	B738/A320	02.10. – 30.10.	–
---4----	09.50	14.20	XC4408	B737/B738	03.10. – 26.03.	–
---5----	09.50	14.20	XC5408	B737/B738	04.10. – 27.03.	–
---6----	09.50	14.20	XC6408	B737/B738	05.10. – 28.03.	–
---7----	09.50	14.20	XC7408	B737/B738	06.10. – 29.03.	–

→ Heraklion (HER)

---3----	11.50	16.20	XR0354	B738	02.10. – 30.10.	–
---6----	11.00	15.25	XR0654	B738	05.10. – 26.10.	–

→ Istanbul Sabiha Gökçen (SAW)

1234567	07.25	11.40	PC1006	A320/B738	27.10. – 28.03.	–
1234567	12.30	16.45	PC1002	A320/B738	27.10. – 28.03.	–
1234567	16.05	20.20	PC1004	A320/B738	27.10. – 28.03.	–

→ Izmir (ADB)

1--4-6-	18.05	22.20	XC3504	B738	03.10. – 28.03.	–
-2--5---	19.45	23.55	PC1512	A320/B738	29.10. – 27.03.	–

→ Kayseri (ASR)

--3----	11.55	16.35	PC1620	A320/B738	30.10. – 25.03.	–
-----6-	16.00	20.40	PC1620	A320/B738	02.11. – 28.03.	–
-----7	19.45	00.25+	PC1620	A320/B738	27.10. – 22.03.	–

→ Marrakech (RAK)

---3----	11.45	14.30	XR9134	B738	16.10. – 27.11.	②
-----6-	11.45	14.30	XR9162	B738	12.10. – 07.12.	②
-----6-	11.45	14.30	XR9162	B738	08.02. – 21.03.	②
-----6-	11.45	14.30	XR9166	B738	15.02. – 28.03.	②

Days of Operation	Dept.	Arr.	Flight No.	Aircraft Type	Operation Period	Via/ Stop
-------------------	-------	------	------------	---------------	------------------	-----------

FROM DYARBAKIR (DIY)

→ Istanbul Sabiha Gökçen (SAW)

1234567	09.20	11.15	PC2381	A320/B738	27.10. – 28.03.	–
1234567	20.05	22.00	PC2385	A320/B738	27.10. – 28.03.	–
1234–6–	13.55	15.50	PC2383	A320/B738	28.10. – 28.03.	–

FROM EDREMIT (EDO)

→ Istanbul Sabiha Gökçen (SAW)

1-----	06.25	07.20	PC2941	A320/B738	28.10. – 23.03.	–
----5-7	22.25	23.20	PC2943	A320/B738	27.10. – 27.03.	–
--3456-	07.25	08.20	PC2941	A320/B738	30.10. – 28.03.	–

FROM EINDHOVEN (EIN)

→ Istanbul Sabiha Gökçen (SAW)

-2-4-6-	12.50	17.30	PC1264	A320/B738	29.10. – 14.11.	–
-2-4-6-	12.50	17.30	PC1264	A320/B738	14.12. – 11.01.	–
-2-4-6-	12.50	17.30	PC1264	A320/B738	11.02. – 28.03.	–

FROM ELAZIG (EZS)

→ Istanbul Sabiha Gökçen (SAW)

1234567	19.40	21.25	PC2533	A320/B738	27.10. – 28.03.	–
1--4567	08.20	10.05	PC2531	A320/B738	27.10. – 28.03.	–
-23----	08.20	10.05	PC2531	A320/B738	29.10. – 06.11.	–
-23----	08.20	10.05	PC2531	A320/B738	24.12. – 24.03.	–

→ Izmir (ADB)

1-3-5-7	11.20	13.15	PC3111	A320/B738	27.10. – 27.03.	–
---------	-------	-------	--------	-----------	-----------------	---

FROM ERZINCAN (ERC)

→ Istanbul Sabiha Gökçen (SAW)

1234567	07.55	09.40	PC2521	A320/B738	27.10. – 28.03.	–
---------	-------	-------	--------	-----------	-----------------	---

FROM ERZURUM (ERZ)

→ Istanbul Sabiha Gökçen (SAW)

1234567	19.25	21.20	PC2558	A320/B738	27.10. – 28.03.	–
123456-	08.05	10.00	PC2551	A320/B738	28.10. – 28.03.	–
----4---	14.15	16.10	PC2553	A320/B738	31.10. – 26.03.	–
-----6-	14.55	16.50	PC2553	A320/B738	02.11. – 28.03.	–
-----7	17.35	19.30	PC2555	A320/B738	27.10. – 22.03.	–

Days of Operation	Dept.	Arr.	Flight No.	Aircraft Type	Operation Period	Via/ Stop
-------------------	-------	------	------------	---------------	------------------	-----------

FROM FRANKFURT (FRA)

→ Ankara (ESB)

-----6-	14.00	18.35	PC1732	A320/B738	02.11. – 28.03.	–
---------	-------	-------	--------	-----------	-----------------	---

→ Antalya (AYT)

-2-----	17.55	22.20	XC8024	A320	01.10. – 22.10.	–
--3----	06.40	11.20	XC9132	B738	02.10. – 30.10.	–
-----5--	16.35	21.00	XC8052	A320	04.10. – 25.10.	–
-----7	11.05	15.30	XC9173	B738/A320	06.10. – 27.10.	–

→ Istanbul Sabiha Gökçen (SAW)

1234567	11.20	15.30	PC0994	A320/B738	27.10. – 28.03.	–
1-3-5-7	15.30	19.40	PC0996	A320/B738	27.10. – 17.11.	–
1-3-5-7	15.30	19.40	PC0996	A320/B738	13.12. – 12.01.	–
1-3-5-7	15.30	19.40	PC0996	A320/B738	27.01. – 27.03.	–

→ Izmir (ADB)

-2--5--	10.20	14.30	XC3506	B738	01.10. – 27.03.	–
---------	-------	-------	--------	------	-----------------	---

→ Kayseri (ASR)

-----7	11.10	15.50	PC1624	A320/B738	27.10. – 17.11.	–
-----7	11.10	15.50	PC1624	A320/B738	22.12. – 19.01.	–
-----7	11.10	15.50	PC1624	A320/B738	09.02. – 22.03.	–

→ Marrakech (RAK)

--3----	13.00	16.00	XR9132	B738	09.10. – 20.11.	②
-----5--	13.30	16.30	XR9154	B738	14.02. – 27.03.	②
-----7	12.00	15.00	XR9172	B738	06.10. – 01.12.	②
-----7	12.00	15.00	XR9172	B738	09.02. – 22.03.	②

All times local
 + = Arrival next day
 ++ = Arrival 2nd day

Schedule subject to change without prior notice

– = Nonstop
 ② = Biweekly

Days of Operation	Dept.	Arr.	Flight No.	Aircraft Type	Operation Period	Via/ Stop
-------------------	-------	------	------------	---------------	------------------	-----------

FROM FUERTEVENTURA (FUE)

→ Cologne (CGN)

---4--7	09.25	15.00	XR1059	B738	03.11. – 26.03.	-
-----7	17.40	23.20	XR1071	B738	06.10. – 27.10.	-

→ Milan–Malpensa (MXP)

1-----	10.50	17.25	N01482	B737	23.12. – 17.02.	LPA
1-----	16.50	23.25	N01652	B737	02.12. – 16.12.	LPA
1-----	22.20	03.10+	N01482	B737	24.02. – 30.03.	-

→ Munster (FMO)

1-----	18.00	23.25	XR9018	B738	07.10. – 28.10.	-
---4--7	13.40	19.10	XR9018	B738	03.11. – 29.03.	-

→ Nuremberg (NUE)

----5--7	10.40	16.05	XR2115	B738	01.11. – 29.03.	-
-----7	10.35	16.00	XR2115	B738	06.10. – 27.10.	-

→ Rome–Fiumicino (FCO)

1-----	12.00	16.55	N01294	B737	04.11. – 25.11.	-
1-----	13.00	17.40	N01294	B737	23.12. – 06.11.	-

→ Verona (VRN)

1-----	11.10	17.50	N01270	B737	13.01. – 30.03.	LPA
1-----	17.10	21.55	N01271	B737	04.11. – 25.11.	-

FROM GASSIM (ELQ)

→ Abha (AHB)

---4-6-	16.40	18.25	XY0863	A319	03.10. – 28.03.	-
---------	-------	-------	--------	------	-----------------	---

→ Ad Dammam (DMM)

-2-4-6-	13.10	14.30	XY0731	A321	01.10. – 31.03.	-
---------	-------	-------	--------	------	-----------------	---

→ Jeddah (JED)

1234567	13.45	15.05	XY0454	A320	01.10. – 31.03.	-
---------	-------	-------	--------	------	-----------------	---

→ Kuwait (KWI)

-23-5--	14.00	15.10	J90238	A320	20.12. – 27.03.	-
---------	-------	-------	--------	------	-----------------	---

All times local
 + = Arrival next day
 ++ = Arrival 2nd day

Schedule subject to change without prior notice

- = Nonstop
 ② = Biweekly

Days of Operation	Dept.	Arr.	Flight No.	Aircraft Type	Operation Period	Via/ Stop
-------------------	-------	------	------------	---------------	------------------	-----------

FROM GAZIANTEP (GZT)

→ Istanbul Sabiha Gökçen (SAW)

1234567	08.45	10.25	PC2403	A320/B738	27.10. – 28.03.	-
1234567	04.55	06.35	PC2411	A320/B738	27.10. – 28.03.	-
123456-	18.00	19.40	PC2407	A320/B738	01.04. – 26.10.	-
123-56-	17.50	19.30	PC2407	A320/B738	27.10. – 28.03.	-
12-4567	20.40	22.20	PC2409	A320/B738	27.10. – 28.03.	-
1-3----	14-15	15-55	PC2405	A320/B738	28.10. – 25.03.	-
-2-4----	11.30	12.10	PC2415	A320/B738	29.10. – 26.03.	-
---4-6-	12.50	14.30	PC2405	A320/B738	31.10. – 28.03.	-
-----6-	10.35	12.15	PC2413	A320/B738	02.11. – 28.03.	-

→ Nicosia (ECN)

1--4567	12.10	13.10	PC1891	A320/B738	27.10. – 28.03.	-
1--5--	18.20	19.20	PC1893	A320/B738	28.10. – 27.03.	-
-23----	16.05	17.05	PC1891	A320/B738	29.10. – 25.03.	-
---4----	08.00	09.00	PC1893	A320/B738	31.10. – 26.03.	-
-----7	20.15	21.15	PC1893	A320/B738	27.10. – 22.03.	-

FROM GAZIPASA (GZP)

→ Istanbul Sabiha Gökçen (SAW)

1234567	05.40	06.55	PC2061	A320/B738	27.10. – 28.03.	-
---------	-------	-------	--------	-----------	-----------------	---

FROM GENEVA (GVA)

→ Istanbul Sabiha Gökçen (SAW)

1-34--7	13.55	17.55	PC0954	A320/B738	27.10. – 26.03.	-
-----6-	15.35	19.35	PC0954	A320/B738	02.11. – 28.03.	-

FROM GROZNY (GRV)

→ Istanbul Sabiha Gökçen (SAW)

1234567	03.35	05.15	PC0401	A320/B738	27.10. – 28.03.	-
---------	-------	-------	--------	-----------	-----------------	---

FROM HA'IL (HAS)

→ Ad Dammam (DMM)

--3-5-7	13.00	14.30	XY0741	A321	02.10. – 29.03.	-
---------	-------	-------	--------	------	-----------------	---

→ Jeddah (JED)

1234567	14.40	16.10	XY0458	A320	01.10. – 31.03.	-
---------	-------	-------	--------	------	-----------------	---

→ Riyadh (RUH)

1234567	06.50	08.10	XY0134	A320	01.10. – 31.03.	-
---------	-------	-------	--------	------	-----------------	---

Days of Operation	Dept.	Arr.	Flight No.	Aircraft Type	Operation Period	Via/ Stop
-------------------	-------	------	------------	---------------	------------------	-----------

FROM HAMBURG (HAM)

→ Ankara (ESB)

-----6- 14.05 18.30 PC1642 A320/B738 02.11. - 28.03. -

→ Antalya (AYT)

-2----- 09.45 14.15 XC2536 A320 01.10. - 29.10. -

-2----- 09.55 14.20 XC2536 B738 05.11. - 24.03. -

---4--- 18.15 22.45 XC4536 B737/B738 07.11. - 26.03. -

---4--- 19.15 23.45 XC4536 A320 03.10. - 31.10. -

-----6- 18.15 22.45 XC6536 B737/B738 02.11. - 28.03. -

-----6- 20.15 00.45+ XC6536 A320 05.10. - 26.10. -

-----7 18.20 22.50 XC7536 B737/B738 03.11. - 29.03. -

→ Heraklion (HER)

1----- 18.10 22.40 XR0152 B738 07.10. - 28.10. -

-----6- 20.00 00.30+ XR0652 B738 05.10. - 26.10. -

→ Istanbul Sabiha Gökçen (SAW)

1234567 10.55 15.05 PC1044 A320/B738 27.10. - 28.03. -

-2-45-- 15.35 19.45 PC1046 A320/B738 29.10. - 27.03. -

→ Izmir (ADB)

--3---- 18.50 23.10 XC3512 B738 02.10. - 30.10. -

-----7 18.10 22.30 XC3512 B738 03.11. - 29.10. -

-----7 18.15 22.30 XC3512 B738 06.10. - 27.10. -

→ Marrakech (RAK)

1----- 12.20 15.30 XR9114 B738 14.10. - 09.12. ②

1----- 12.20 15.30 XR9114 B738 17.02. - 30.03. ②

-----5-- 14.15 17.25 XR9152 B738 07.02. - 20.03. ②

FROM HANOVER (HAJ)

→ Antalya (AYT)

1----- 02.20 06.45 XC1882 A320 07.10. - 28.10. -

1----- 09.40 14.10 XC1302 B738 04.11. - 23.03. -

-2----- 02.55 07.20 XC2882 A320 01.10. - 29.10. -

--3---- 02.30 06.55 XC3882 B738/A320 09.10. - 30.10. -

--3---- 09.40 14.10 XC3302 B737/B738 06.11. - 25.03. -

---4--- 02.20 06.45 XC4882 B738/A320 03.10. - 31.10. -

---4--- 09.40 14.10 XC4302 B737/B738 07.11. - 26.03. -

---5--- 02.00 06.25 XC5882 B738/A320 04.10. - 25.10. -

---5--- 18.30 22.55 XC5302 B737/B738 01.11. - 27.03. -

→ Heraklion (HER)

-2----- 03.00 07.15 XR0256 B738 01.10. - 29.10. -

--3---- 02.20 06.05 XR0356 B738 02.10. - 30.10. -

Days of Operation	Dept.	Arr.	Flight No.	Aircraft Type	Operation Period	Via/ Stop
-------------------	-------	------	------------	---------------	------------------	-----------

FROM HANOVER (HAJ)

→ Istanbul Sabiha Gökçen (SAW)

1----- 01.55 05.55 PC1036 A320/B738 28.10. - 23.03. -

-2----- 02.20 06.20 PC1034 A320/B738 29.10. - 24.03. -

--3---- 02.20 06.20 PC1036 A320/B738 30.10. - 25.03. -

---4--- 02.55 06.55 PC1034 A320/B738 31.10. - 26.03. -

---5--- 00.55 03.55 PC1034 A320/B738 01.11. - 27.03. -

→ Izmir (ADB)

---4--7 09.30 13.45 XC3510 B738 03.11. - 29.03. -

---5--- 02.35 07.00 XC3510 B738 04.10. - 25.10. -

---6--- 03.05 07.20 XC3510 B738 05.10. - 26.10. -

→ Marrakech (RAK)

--3---- 12.20 15.45 XR9132 B738 05.02. - 18.03. ②

→ Rhodes (RHO)

-2----- 19.30 23.50 XR9222 A320 01.10. - 22.10. -

FROM HATAY (HTY)

→ Istanbul Sabiha Gökçen (SAW)

1234567 16.15 17.55 PC2133 A320/B738 27.10. - 28.03. -

1-34567 10.10 11.50 PC2131 A320/B738 27.10. - 28.03. -

1---6- 06.50 08.30 PC2137 A320/B738 28.10. - 28.03. -

-2345-7 05.15 06.55 PC2139 A320/B738 27.10. - 27.03. -

-2----- 10.20 12.00 PC2131 A320/B738 29.10. - 05.11. -

-2----- 10.20 12.00 PC2131 A320/B738 24.12. - 24.03. -

---5-7 21.25 23.05 PC2135 A320/B738 27.10. - 27.03. -

→ Izmir (ADB)

-2----- 12.05 13.50 PC3021 A320/B738 29.10. - 24.03. -

---5--- 15.15 17.00 PC3021 A320/B738 01.11. - 27.03. -

-----7 20.45 22.30 PC3021 A320/B738 27.10. - 22.03. -

→ Jeddah (JED)

12--5-- 12.10 15.45 XY0562 A320 01.10. - 31.03. -

→ Nicosia (ECN)

1234567 12.20 13.15 PC1903 A320/B738 27.10. - 28.03. -

1--456- 18.10 19.05 PC1905 A320/B738 28.10. - 28.03. -

→ Riyadh (RUH)

1-3-5-7 13.55 17.25 XY0262 A320 02.10. - 30.03. -

All times local
+ = Arrival next day
++ = Arrival 2nd day

Schedule subject to change without prior notice

- = Nonstop
② = Biweekly

Days of Operation	Dept.	Arr.	Flight No.	Aircraft Type	Operation Period	Via/ Stop
-------------------	-------	------	------------	---------------	------------------	-----------

FROM HAVANNA (HAV)

→ Madrid (MAD)

--3---7	19.50	10.10+	E90826	A350	03.11. – 29.04.	-
-----5--	19.50	10.10+	E90826	A350	20.12. – 24.04.	-

→ Milan–Malpensa (MXP)

1-----	18.00	11.50+	N00130	B787/767	04.11. – 30.03.	HOG
-----7	21.30	12.55	N00780	B787/767	03.11. – 29.03.	-

FROM HELSINKI (HEL)

→ Antalya (AYT)

-----6-	10.50	14.40	XC0672	B738/A320	15.02. – 28.03.	-
-----6-	11.50	15.40	XC0672	B738/A320	05.10. – 09.11.	-
-----7	11.50	15.40	XC0772	B738	06.10. – 27.10.	-

FROM HERAKLION (HER)

→ Amsterdam (AMS)

--3----	19.35	22.40	CD0312	B738	02.10. – 23.10.	-
-----7	13.30	16.25	CD0718	B738	06.10. – 27.10.	-

→ Berlin–Schoenefeld (SXF)

-----5--	14.50	17.10	XR5203	B738	04.10. – 25.10.	-
----------	-------	-------	--------	------	-----------------	---

→ Berlin–Tegel (TXL)

1-----	06.10	08.25	XR0153	B738	07.10. – 28.10.	-
-----5--	07.30	09.40	XR0553	B738	04.10. – 25.10.	-

→ Brussels (BRU)

-----6-	12.00	14.50	XC6955	B738	05.10. – 26.10.	-
---------	-------	-------	--------	------	-----------------	---

→ Cologne (CGN)

1--4-6-	09.20	11.55	XR1013	B738	03.10. – 31.10.	-
---------	-------	-------	--------	------	-----------------	---

→ Dusseldorf (DUS)

--3----	07.30	10.00	XR0353	B738	02.10. – 23.10.	-
-----6-	07.30	10.00	XR0653	B738	05.10. – 26.10.	-

→ Hamburg (HAM)

1-----	14.30	17.10	XR0151	B738	07.10. – 28.10.	-
-----6-	16.20	19.00	XR0651	B738	05.10. – 26.10.	-

→ Hanover (HAJ)

1-----	23.40	02.05+	XR0155	B738	07.10. – 28.10.	-
-2-----	23.00	01.25+	XR0257	B738	01.10. – 29.10.	-

→ Leipzig (LEJ)

-2-----	08.15	10.25	XR0251	B738	01.10. – 29.10.	-
---------	-------	-------	--------	------	-----------------	---

All times local
 + = Arrival next day
 ++ = Arrival 2nd day

Schedule subject to change without prior notice

- = Nonstop
 ② = Biweekly

Days of Operation	Dept.	Arr.	Flight No.	Aircraft Type	Operation Period	Via/ Stop
-------------------	-------	------	------------	---------------	------------------	-----------

FROM HERAKLION (HER)

→ Munster (FMO)

1-----	09.50	12.25	XR9016	B738	07.10. – 28.10.	-
----4---	18.10	20.45	XR9048	B738	03.10. – 31.10.	-
-----7	19.55	22.30	XR9078	B738	06.10. – 27.10.	-

→ Nuremberg (NUE)

1---5--	09.55	12.00	XR2101	B738	04.10. – 28.10.	-
----4---	23.55	01.55+	XR0457	B738	03.10. – 31.10.	-
-----5--	23.40	01.40+	XR0555	B738	04.10. – 25.10.	-

FROM HURGHADA (HRG)

→ Istanbul Sabiha Gökçen (SAW)

1234567	02.55	05.45	PC0621	A320/B738	27.10. – 28.03.	-
---------	-------	-------	--------	-----------	-----------------	---

FROM HYDERABAD (HYD)

→ Kuwait (KWI)

1234567	02.20	05.10	J90404	A320	27.10. – 28.03.	-
---------	-------	-------	--------	------	-----------------	---

→ Riyadh (RUH)

-2-45-7	08.55	12.05	XY0326	A320	01.10. – 31.03.	-
---------	-------	-------	--------	------	-----------------	---

FROM IBIZA (IBZ)

→ Amsterdam (AMS)

1-3----	19.50	22.30	CD0392	B738	02.10. – 30.10.	-
-----6-	20.10	22.50	CD0698	B738	05.10. – 26.10.	-

FROM ISLAMABAD (ISB)

→ Riyadh (RUH)

-2-4-6-	04.50	08.15	XY0316	A320	01.10. – 31.03.	-
---------	-------	-------	--------	------	-----------------	---

FROM ISTANBUL (IST)

→ Izmir (ADB)

1234567	05.10	06.30	PC3311	A320/B738	27.10. – 28.03.	-
1234567	08.50	10.10	PC3301	A320/B738	27.10. – 28.03.	-
1234567	12.25	13.45	PC3303	A320/B738	27.10. – 28.03.	-
1234567	16.40	18.05	PC3305	A320/B738	27.10. – 28.03.	-
1234567	20.00	21.25	PC3307	A320/B738	27.10. – 28.03.	-
1234567	23.20	00.40+	PC3309	A320/B738	27.10. – 28.03.	-

Days of Operation	Dept.	Arr.	Flight No.	Aircraft Type	Operation Period	Via/ Stop
-------------------	-------	------	------------	---------------	------------------	-----------

FROM ISTANBUL SABIHA GÖKÇEN (SAW)

→ Abu Dhabi (AUH)

-2-4-6- 20.35 03.05+ PC0406 A320/B738 29.10. -28.03. -

→ Adana (ADA)

1234567 04.55 06.20 PC2080 A320/B738 27.10. -28.03. -
 1234567 08.20 09.45 PC2084 A320/B738 27.10. -28.03. -
 1234567 15.15 16.40 PC2092 A320/B738 27.10. -28.03. -
 1234567 17.35 18.00 PC2094 A320/B738 27.10. -28.03. -
 123456- 06.45 08.10 PC2082 A320/B738 28.10. -28.03. -
 12345-7 18.45 20.10 PC2096 A320/B738 27.10. -27.03. -
 1-34567 13.05 14.30 PC2090 A320/B738 27.10. -28.03. -
 1----5-- 10.45 12.10 PC2086 A320/B738 28.10. -27.03. -
 -2-4-67 23.05 00.30+ PC2098 A320/B738 27.10. -28.03. -
 -2----67 11.20 12.45 PC2088 A320/B738 27.10. -28.03. -
 --3-5-- 22.20 23.45 PC2100 A320/B738 30.10. -27.03. -

→ Ad Dammam (DMM)

1234567 20.10 00.10+ PC0674 A320/B738 27.10. -10.11. -
 1234567 20.10 00.10+ PC0674 A320/B738 09.12. -19.01. -
 1234567 20.10 00.10+ PC0674 A320/B738 02.03. -08.03. -
 123456- 20.10 00.10+ PC0674 A320/B738 23.03. -28.03. -
 --34567 20.10 00.10+ PC0674 A320/B738 13.11. -08.12. -
 --34567 20.10 00.10+ PC0674 A320/B738 22.01. -01.03. -
 --34567 20.10 00.10+ PC0674 A320/B738 11.03. -22.03. -

→ Almaty (ALA)

1--4-6- 20.55 06.20+ PC0100 A320/B738 28.10. -28.03. -

→ Amasya (MZH)

1----- 13.40 15.00 PC2780 A320/B738 28.10. -23.03. -
 --3-5-7 06.55 08.15 PC2780 A320/B738 27.10. -27.03. -

→ Amsterdam (AMS)

1234567 09.30 12.20 PC1253 A320/B738 27.10. -28.03. -
 12-4567 07.40 10.30 PC1251 A320/B738 27.10. -28.03. -
 --3-5-7 18.25 21.15 PC1255 A320/B738 27.10. -27.03. -
 --3---- 12.30 15.20 PC1257 A320/B738 30.10. -25.03. -

Days of Operation	Dept.	Arr.	Flight No.	Aircraft Type	Operation Period	Via/ Stop
-------------------	-------	------	------------	---------------	------------------	-----------

FROM ISTANBUL SABIHA GÖKÇEN (SAW)

→ Ankara (ESB)

1234567 05.10 06.15 PC2660 A320/B738 27.10. -28.03. -
 1234567 14.50 15.55 PC2674 A320/B738 27.10. -28.03. -
 1234567 16.30 17.35 PC2676 A320/B738 27.10. -28.03. -
 1234567 17.05 18.10 PC2678 A320/B738 27.10. -28.03. -
 1234567 19.35 20.40 PC2682 A320/B738 27.10. -28.03. -
 1234567 22.30 23.35 PC2684 A320/B738 27.10. -28.03. -
 123456- 06.15 07.20 PC2662 A320/B738 28.10. -28.03. -
 12345-7 10.15 11.20 PC2668 A320/B738 27.10. -27.03. -
 1234--7 07.55 09.00 PC2666 A320/B738 27.10. -26.03. -
 12--5-- 13.25 14.30 PC2672 A320/B738 28.10. -27.03. -
 1-3--6- 21.10 22.15 PC1702 A320/B738 28.10. -28.03. -
 1-3---- 16.00 17.05 PC2688 A320/B738 28.10. -25.03. -
 -234567 07.05 08.10 PC2664 A320/B738 27.10. -28.03. -
 -23456- 11.45 12.50 PC2670 A320/B738 29.10. -28.03. -
 --34567 18.30 19.35 PC2680 A320/B738 27.10. -28.03. -
 ----4--- 18.30 19.35 PC2688 A320/B738 31.10. -26.03. -
 ----4--- 21.10 22.15 PC2690 A320/B738 31.10. -26.03. -
 ----5-- 17.25 18.30 PC2686 A320/B738 01.11. -27.03. -

→ Antalya (AYT)

1234567 07.00 08.15 PC2002 A320/B738 27.10. -28.03. -
 1234567 11.10 12.25 PC2008 A320/B738 27.10. -28.03. -
 1234567 15.00 16.10 PC2012 A320/B738 27.10. -28.03. -
 1234567 17.05 18.20 PC2020 A320/B738 27.10. -28.03. -
 1234567 19.05 20.20 PC2024 A320/B738 27.10. -28.03. -
 1234567 22.15 23.30 PC2028 A320/B738 27.10. -28.03. -
 123-567 18.30 19.45 PC2022 A320/B738 27.10. -28.03. -
 123-56- 08.20 09.35 PC2004 A320/B738 28.10. -28.03. -
 1-3-567 05.05 06.20 PC2000 A320/B738 27.10. -28.03. -
 -2-4567 12.30 13.45 PC2010 A320/B738 27.10. -28.03. -
 -2-4567 21.25 22.40 PC2032 A320/B738 27.10. -28.03. -
 -2-4--- 05.15 06.30 PC2000 A320/B738 29.10. -26.03. -
 --34567 16.45 18.00 PC2014 A320/B738 27.10. -28.03. -
 --3--67 20.00 21.15 PC2026 A320/B738 27.10. -24.11. -
 --3--67 20.00 21.15 PC2026 A320/B738 01.01. -28.03. -
 ----5-- 10.40 11.55 PC2016 A320/B738 01.11. -27.03. -
 -----67 09.35 10.50 PC2006 A320/B738 27.10. -28.03. -
 -----67 10.30 11.45 PC2016 A320/B738 27.10. -24.11. -
 -----67 10.30 11.45 PC2016 A320/B738 04.01. -28.03. -
 -----67 20.00 21.15 PC2026 A320/B738 30.11. -29.12. -
 -----7 10.30 11.45 PC2016 A320/B738 01.12. -29.12. -

→ Arbil (EBL)

1234567 22.05 00.35+ PC0816 A320/B738 27.10. -28.03. -

→ Athens (ATH)

1-3-56- 09.00 10.30 PC1191 A320/B738 28.10. -28.03. -
 -2-4--7 15.35 17.05 PC1191 A320/B738 27.10. -26.03. -

→ Baghdad (BGW)

1234567 21.15 01.05+ PC0656 A320/B738 27.10. -28.03. -

→ Bahrain (BAH)

1234567 20.30 01.20+ PC0824 A320/B738 27.10. -28.03. -

All times local
 + = Arrival next day
 ++ = Arrival 2nd day

Schedule subject to change without prior notice

- = Nonstop
 ② = Biweekly

Days of Operation	Dept.	Arr.	Flight No.	Aircraft Type	Operation Period	Via/ Stop
-------------------	-------	------	------------	---------------	------------------	-----------

FROM ISTANBUL SABIHA GÖKÇEN (SAW)

→ Barcelona (BCN)

1234567	09.10	11.55	PC1091	A320/B738	27.10. – 28.03.	–
---------	-------	-------	--------	-----------	-----------------	---

→ Basel (BSL)

1234567	10.10	13.20	PC0939	A320/B738	27.10. – 28.03.	–
1234567	13.45	15.55	PC0941	A320/B738	27.10. – 17.11.	–
1234567	13.45	15.55	PC0941	A320/B738	16.12. – 28.03.	–
–23–567	13.45	15.55	PC0941	A320/B738	19.11. – 15.12.	–

→ Basrah (BSR)

12–4–6–	21.05	01.25+	PC0666	A320/B738	28.10. – 28.03.	–
---------	-------	--------	--------	-----------	-----------------	---

→ Batman (BAL)

1234567	07.10	09.00	PC2370	A320/B738	27.10. – 28.03.	–
---------	-------	-------	--------	-----------	-----------------	---

→ Belgrad (BEG)

1––45–7	10.40	12.25	PC0371	A320/B738	27.10. – 27.03.	–
---------	-------	-------	--------	-----------	-----------------	---

→ Beirut (BEY)

1234567	20.45	23.35	PC0862	A320/B738	27.10. – 28.03.	–
1234567	22.10	23.59	PC0757	A320/B738	27.10. – 28.03.	–

→ Bergamo (BGY)

1234567	09.40	10.35	PC1211	A320/B738	27.10. – 28.03.	–
1––––6–	13.25	15.20	PC1213	A320/B738	28.10. – 28.03.	–

→ Berlin–Schönefeld (SXF)

1234567	08.50	10.55	PC0977	A320/B738	27.10. – 28.03.	–
1––5–7	11.10	13.15	PC0979	A320/B738	27.10. – 27.03.	–
–234–6–	11.10	13.15	PC0979	A320/B738	29.10. – 23.11.	–
–234–6–	11.10	13.15	PC0979	A320/B738	17.12. – 28.03.	–
––4–6–	11.10	13.15	PC0979	A320/B738	28.11. – 14.12.	–

→ Bingöl (BGG)

1–3––6–	07.10	09.05	PC2450	A320/B738	28.10. – 28.03.	–
---------	-------	-------	--------	-----------	-----------------	---

→ Bishkek (FRU)

1234567	20.30	05.35+	PC0702	A320/B738	27.10. – 28.03.	–
---------	-------	--------	--------	-----------	-----------------	---

All times local
 + = Arrival next day
 ++ = Arrival 2nd day

Schedule subject to change without prior notice

– = Nonstop
 Ⓜ = Biweekly

Days of Operation	Dept.	Arr.	Flight No.	Aircraft Type	Operation Period	Via/ Stop
-------------------	-------	------	------------	---------------	------------------	-----------

FROM ISTANBUL SABIHA GÖKÇEN (SAW)

→ Bodrum (BJV)

1234567	15.15	16.30	PC2252	A320/B738	27.10. – 28.03.	–
123456–	05.00	06.15	PC2240	A320/B738	28.10. – 29.11.	–
123456–	05.00	06.15	PC2240	A320/B738	28.12. – 03.01.	–
123456–	05.00	06.15	PC2240	A320/B738	14.01. – 28.03.	–
12345–	05.00	06.15	PC2240	A320/B738	02.12. – 27.12.	–
12–	11.30	12.45	PC2266	A320/B738	28.10. – 24.03.	–
12–	19.35	20.50	PC2262	A320/B738	28.10. – 24.03.	–
1–3–5–	05.00	06.15	PC2240	A320/B738	06.01. – 13.01.	–
–3–	09.25	10.40	PC2244	A320/B738	27.10. – 28.03.	–
–3–	19.50	21.05	PC2262	A320/B738	27.10. – 05.01.	–
–3–	19.50	21.05	PC2262	A320/B738	11.01. – 28.03.	–
––45–	13.20	14.35	PC2248	A320/B738	31.10. – 27.03.	–
––4–	19.00	20.15	PC2262	A320/B738	31.10. – 21.11.	–
––4–	19.00	20.15	PC2262	A320/B738	26.12. – 26.03.	–
––56–	20.15	21.30	PC2264	A320/B738	01.11. – 28.03.	–
––5–7	17.45	19.00	PC2256	A320/B738	27.10. – 27.03.	–

→ Bologna (BLQ)

1234567	10.35	12.20	PC1217	A320/B738	27.10. – 28.03.	–
---------	-------	-------	--------	-----------	-----------------	---

→ Brussels–Charleroi (CRL)

1234567	07.50	10.25	PC0801	A320/B738	27.10. – 28.03.	–
1––567	12.00	15.35	PC0803	A320/B738	27.10. – 28.03.	–
–234–	12.00	15.35	PC0803	A320/B738	29.10. – 14.11.	–
–234–	12.00	15.35	PC0803	A320/B738	10.12. – 26.03.	–

→ Bucharest (OTP)

1––4–	15.35	16.55	PC0363	A320/B738	28.10. – 26.03.	–
–3–5–7	08.25	09.45	PC0363	A320/B738	27.10. – 27.03.	–

→ Budapest (BUD)

1––4567	13.00	14.05	PC0331	A320/B738	27.10. – 28.03.	–
–23–	13.00	14.05	PC0331	A320/B738	29.10. – 30.10.	–
–23–	13.00	14.05	PC0331	A320/B738	17.12. – 01.01.	–
–23–	13.00	14.05	PC0331	A320/B738	21.01. – 25.03.	–

→ Casablanca (CMN)

1–3–5–7	19.15	22.20	PC0651	A320/B738	27.10. – 27.03.	–
---------	-------	-------	--------	-----------	-----------------	---

→ Cologne (CGN)

1234567	06.50	11.20	PC1011	A320/B738	27.10. – 28.03.	–
1234567	11.50	14.20	PC1017	A320/B738	27.10. – 18.11.	–
1234567	11.50	14.20	PC1017	A320/B738	14.12. – 28.03.	–
1234567	21.30	00.00	PC1013	A320/B738	27.10. – 28.03.	–
1–3–5–7	11.50	14.20	PC1017	A320/B738	20.11. – 13.12.	–

→ Copenhagen (CPH)

1234567	07.40	10.05	PC1071	A320/B738	27.10. – 28.03.	–
123456–	11.50	14.15	PC1073	A320/B738	28.10. – 11.11.	–
123456–	11.50	14.15	PC1073	A320/B738	10.12. – 28.03.	–
1––5–	11.50	14.15	PC1073	A320/B738	15.11. – 09.12.	–

Days of Operation	Dept.	Arr.	Flight No.	Aircraft Type	Operation Period	Via/ Stop
-------------------	-------	------	------------	---------------	------------------	-----------

FROM ISTANBUL SABIHA GÖKÇEN (SAW)

→ Dalaman (DLM)

1234567	05.15	06.35	PC2280	A320/B738	27.10. – 28.03.	–
1234567	10.20	11.40	PC2288	A320/B738	27.10. – 28.03.	–
1234567	19.35	20.55	PC2296	A320/B738	27.10. – 28.03.	–
----567	17.15	18.35	PC2292	A320/B738	27.10. – 28.03.	–
----5-7	16.05	17.25	PC2298	A320/B738	27.10. – 27.03.	–

→ Dinizli (DNZ)

1-34567	06.15	07.30	PC2320	A320/B738	27.10. – 28.03.	–
12-4567	17.05	18.10	PC2322	A320/B738	27.10. – 28.03.	–

→ Diyarbakir (DIY)

1234567	07.00	08.50	PC2380	A320/B738	27.10. – 28.03.	–
1234567	17.25	19.15	PC2384	A320/B738	28.10. – 28.03.	–
1234-6-	11.20	13.10	PC2382	A320/B738	28.10. – 28.03.	–

→ Doha (DOH)

1234567	19.45	00.55+	PC0602	A320/B738	27.10. – 28.03.	–
12-4-6-	22.25	03.35+	PC0604	A320/B738	28.10. – 28.03.	–

→ Dubai (DXB)

1234567	19.55	01.30+	PC0740	A320/B738	27.10. – 28.03.	–
---------	-------	--------	--------	-----------	-----------------	---

→ Dusseldorf (DUS)

1234567	09.05	11.30	PC1001	A320/B738	27.10. – 28.03.	–
1234567	12.50	15.15	PC1003	A320/B738	27.10. – 28.03.	–
1234567	16.35	19.00	PC1005	A320/B738	27.10. – 28.03.	–

→ Edremit (EDO)

1-----	04.50	05.55	PC2940	A320/B738	28.10. – 23.03.	–
-2345-7	20.15	21.20	PC2942	A320/B738	27.10. – 27.03.	–
-----6-	05.55	07.00	PC2940	A320/B738	02.11. – 28.03.	–

→ Eindhoven (EIN)

-2-4-6-	09.30	12.10	PC1263	A320/B738	29.10. – 14.11.	–
-2-4-6-	09.30	12.10	PC1263	A320/B738	14.12. – 11.01.	–
-2-4-6-	09.30	12.10	PC1263	A320/B738	11.02. – 28.03.	–

→ Elazig (EZS)

1234567	17.25	19.05	PC2532	A320/B738	27.10. – 28.03.	–
1--4567	06.10	07.50	PC2530	A320/B738	27.10. – 28.03.	–
-23----	06.10	07.50	PC2530	A320/B738	29.10. – 06.11.	–
-23----	06.10	07.50	PC2530	A320/B738	24.12. – 24.03.	–

→ Erzincan (ERC)

1234567	05.30	07.15	PC2520	A320/B738	27.10. – 28.03.	–
---------	-------	-------	--------	-----------	-----------------	---

→ Erzurum (ERZ)

1234567	17.10	18.55	PC2557	A320/B738	27.10. – 28.03.	–
123456-	05.45	07.30	PC2550	A320/B738	28.10. – 28.03.	–
----4---	12.00	13.45	PC2552	A320/B738	31.10. – 26.03.	–
-----6-	12.35	14.20	PC2552	A320/B738	02.11. – 28.03.	–
-----7	15.15	17.00	PC2554	A320/B738	27.10. – 22.03.	–

Days of Operation	Dept.	Arr.	Flight No.	Aircraft Type	Operation Period	Via/ Stop
-------------------	-------	------	------------	---------------	------------------	-----------

FROM ISTANBUL SABIHA GÖKÇEN (SAW)

→ Frankfurt (FRA)

1234567	08.00	10.30	PC0993	A320/B738	27.10. – 28.03.	–
1-3-5-7	12.20	14.50	PC0995	A320/B738	27.10. – 17.11.	–
1-3-5-7	12.20	14.50	PC0995	A320/B738	13.12. – 12.01.	–
1-3-5-7	12.20	14.50	PC0995	A320/B738	27.01. – 27.03.	–

→ Gaziantep (GZT)

1234567	06.25	08.00	PC2402	A320/B738	27.10. – 28.03.	–
1234567	20.50	22.25	PC2410	A320/B738	27.10. – 28.03.	–
123-567	15.35	17.10	PC2406	A320/B738	27.10. – 28.03.	–
12-4567	18.30	20.05	PC2408	A320/B738	27.10. – 28.03.	–
1-3----	12.00	13.35	PC2404	A320/B738	28.10. – 25.03.	–
-2---6-	10.45	12.20	PC2404	A320/B738	29.10. – 28.03.	–
---4---	05.40	07.15	PC2414	A320/B738	31.10. – 26.03.	–
---4---	11.00	12.35	PC2404	A320/B738	31.10. – 26.03.	–
-----6-	08.30	10.05	PC2412	A320/B738	02.11. – 28.03.	–

→ Gazipasa (GZP)

1234567	20.15	21.40	PC2060	A320/B738	27.10. – 28.03.	–
---------	-------	-------	--------	-----------	-----------------	---

→ Geneva (GVA)

1-34--7	10.50	13.10	PC0953	A320/B738	27.10. – 26.03.	–
-----6-	12.30	14.50	PC0953	A320/B738	02.11. – 28.03.	–

→ Grozny (GRV)

1234567	22.25	01.50+	PC0400	A320/B738	27.10. – 28.03.	–
---------	-------	--------	--------	-----------	-----------------	---

→ Hamburg (HAM)

1234567	07.45	11.10	PC1043	A320/B738	27.10. – 28.03.	–
-2-45--	12.30	14.55	PC1045	A320/B738	29.10. – 27.03.	–

→ Hanover (HAJ)

1-3-5--	22.00	00.15+	PC1033	A320/B738	28.10. – 27.03.	–
-2-----	23.20	01.30+	PC1035	A320/B738	29.10. – 24.03.	–
-----7	22.20	00.30+	PC1035	A320/B738	27.10. – 22.03.	–

→ Hatay (HTY)

1234567	14.10	15.45	PC2132	A320/B738	27.10. – 28.03.	–
1234567	18.55	20.30	PC2134	A320/B738	27.10. – 28.03.	–
1-34567	07.55	09.30	PC2130	A320/B738	27.10. – 28.03.	–
1-----6-	04.45	06.20	PC2136	A320/B738	28.10. – 28.03.	–
-2-----	07.55	09.30	PC2130	A320/B738	29.10. – 05.11.	–
-2-----	07.55	09.30	PC2130	A320/B738	24.12. – 24.03.	–

→ Hurghada (HRG)

1234567	21.50	00.35+	PC0620	A320/B738	27.10. – 28.03.	–
---------	-------	--------	--------	-----------	-----------------	---

All times local

+ = Arrival next day

++ = Arrival 2nd day

Schedule subject to change without prior notice

– = Nonstop

② = Biweekly

Days of Operation	Dept.	Arr.	Flight No.	Aircraft Type	Operation Period	Via/ Stop
-------------------	-------	------	------------	---------------	------------------	-----------

FROM ISTANBUL SABIHA GÖKÇEN (SAW)

→ Izmir (ADB)

1234567	05.00	06.10	PC2180	A320/B738	27.10. – 28.03.	–
1234567	05.55	07.05	PC2182	A320/B738	27.10. – 28.03.	–
1234567	07.15	08.25	PC2184	A320/B738	27.10. – 28.03.	–
1234567	10.40	11.50	PC2188	A320/B738	27.10. – 28.03.	–
1234567	14.00	15.10	PC2192	A320/B738	27.10. – 28.03.	–
1234567	16.05	17.15	PC2194	A320/B738	27.10. – 28.03.	–
1234567	18.40	19.50	PC2200	A320/B738	27.10. – 28.03.	–
1234567	19.30	20.40	PC2202	A320/B738	27.10. – 28.03.	–
12345-7	22.20	23.30	PC2206	A320/B738	27.10. – 27.03.	–
12345--	08.20	09.30	PC2186	A320/B738	28.10. – 27.03.	–
1234-67	12.00	13.10	PC2190	A320/B738	27.10. – 28.03.	–
123-5-7	11.20	12.30	PC2216	A320/B738	27.10. – 27.03.	–
123-5-7	17.05	18.15	PC2196	A320/B738	27.10. – 27.03.	–
12-4567	20.00	21.10	PC2204	A320/B738	27.10. – 28.03.	–
1-----	17.55	19.05	PC2198	A320/B738	16.12. – 23.03.	–
1-----	21.40	22.50	PC2208	A320/B738	28.10. – 23.03.	–
-2-4-5-7	17.55	19.05	PC2198	A320/B738	27.10. – 27.03.	–
-2-----	15.15	16.25	PC2208	A320/B738	29.10. – 24.03.	–
-3-----	20.00	21.10	PC2204	A320/B738	30.10. – 25.03.	–
---4-6-	15.35	16.45	PC2218	A320/B738	31.10. – 28.03.	–
---4----	21.10	22.20	PC2208	A320/B738	31.10. – 26.03.	–
-----6-	08.00	09.10	PC2212	A320/B738	02.11. – 28.03.	–
-----7	08.20	09.30	PC2186	A320/B738	01.12. – 26.01.	–

→ Jeddah (JED)

1234567	14.10	18.00	XY0556	A320	01.10. – 31.03.	–
1234567	20.10	00.55+	PC0678	A320/B738	27.10. – 11.11.	–
1234567	20.10	00.55+	PC0678	A320/B738	10.12. – 20.01.	–
1234567	20.10	00.55+	PC0678	A320/B738	03.03. – 09.03.	–
1234567	20.10	00.55+	PC0678	A320/B738	11.03. – 28.03.	–
1-34567	20.10	00.55+	PC0678	A320/B738	13.11. – 09.12.	–
1-34567	20.10	00.55+	PC0678	A320/B738	22.01. – 02.03.	–

→ Kahramanmaraş (KCM)

1-3-567	07.55	09.25	PC2121	A320/B738	27.10. – 28.03.	–
---------	-------	-------	--------	-----------	-----------------	---

→ Kars (KSY)

1234567	06.15	08.15	PC2590	A320/B738	27.10. – 28.03.	–
----5--	10.30	12.30	PC2592	A320/B738	01.11. – 27.03.	–
-----7	15.45	17.45	PC2592	A320/B738	27.10. – 22.03.	–

→ Kayseri (ASR)

1234567	05.25	06.45	PC2730	A320/B738	27.10. – 28.03.	–
1234567	07.15	08.35	PC2732	A320/B738	27.10. – 28.03.	–
1234567	13.00	14.20	PC2736	A320/B738	27.10. – 28.03.	–
12345-7	18.05	19.25	PC2738	A320/B738	27.10. – 27.03.	–
12-4567	19.20	20.40	PC2740	A320/B738	27.10. – 28.03.	–
-23-----	20.30	21.50	PC2744	A320/B738	29.10. – 25.03.	–
-2-----	06.35	07.55	PC2734	A320/B738	29.10. – 24.03.	–
----56-	22.30	23.50	PC2742	A320/B738	01.11. – 28.03.	–
----5--	16.40	18.00	PC2744	A320/B738	01.11. – 27.03.	–
-----7	16.15	17.35	PC2734	A320/B738	27.10. – 22.03.	–

Days of Operation	Dept.	Arr.	Flight No.	Aircraft Type	Operation Period	Via/ Stop
-------------------	-------	------	------------	---------------	------------------	-----------

FROM ISTANBUL SABIHA GÖKÇEN (SAW)

→ Kharkiv (HRK)

1234567	12.55	15.00	PC0426	A320/B738	27.10. – 28.03.	–
---------	-------	-------	--------	-----------	-----------------	---

→ Konya (KYA)

1234567	16.55	18.05	PC2704	A320/B738	27.10. – 28.03.	–
1234567	21.05	22.15	PC2708	A320/B738	27.10. – 28.03.	–
123456-	05.25	06.34	PC2700	A320/B738	28.10. – 28.03.	–
1---4567	07.35	08.45	PC2702	A320/B738	27.10. – 28.03.	–
-----6-	11.00	12.10	PC2706	A320/B738	02.11. – 28.03.	–

→ Krasnodar (KRR)

1234567	21.55	23.55	PC0380	A320/B738	27.10. – 28.03.	–
---------	-------	-------	--------	-----------	-----------------	---

→ Kuwait (KWI)

1234567	20.20	00.55+	PC0858	A320/B738	27.10. – 28.03.	–
1234-6-	22.30	03.05+	PC0860	A320/B738	27.10. – 28.03.	–
1--4--7	14.35	18.55	J90306	A320	28.10. – 26.03.	–

→ London–Stansted (STN)

1234567	07.25	09.30	PC1169	A320/B738	27.10. – 28.03.	–
1234567	10.25	12.30	PC1181	A320/B738	27.10. – 28.03.	–
1234567	20.20	22.25	PC1163	A320/B738	27.10. – 28.03.	–
1234-6-	14.50	16.55	PC1161	A320/B738	28.10. – 28.03.	–

→ Lviv (LWO)

1-345-7	13.15	15.15	PC0420	A320/B738	27.10. – 27.03.	–
---------	-------	-------	--------	-----------	-----------------	---

→ Lyon (LYS)

1234567	09.20	11.45	PC1141	A320/B738	27.10. – 28.03.	–
---45-7	23.20	01.45+	PC1143	A320/B738	27.10. – 27.03.	–

→ Madrid (MAD)

1234567	09.10	12.45	PC1099	A320/B738	27.10. – 28.03.	–
---------	-------	-------	--------	-----------	-----------------	---

→ Malatya (MLX)

1234567	05.30	07.10	PC2570	A320/B738	27.10. – 28.03.	–
1234567	16.15	17.55	PC2572	A320/B738	27.10. – 28.03.	–

→ Manchester (MAN)

123--67	09.10	11.35	PC1179	A320/B738	27.10. – 28.03.	–
---------	-------	-------	--------	-----------	-----------------	---

→ Mardin (MQM)

1-3-56-	06.15	08.05	PC2430	A320/B738	28.10. – 28.03.	–
-2-4--7	16.30	18.20	PC2432	A320/B738	27.10. – 26.03.	–

→ Marseille (MRS)

1234567	10.05	12.40	PC1125	A320/B738	27.10. – 28.03.	–
---------	-------	-------	--------	-----------	-----------------	---

→ Mineralnyye (MRV)

1234567	21.40	00.45+	PC0390	A320/B738	27.10. – 28.03.	–
---------	-------	--------	--------	-----------	-----------------	---

All times local
+ = Arrival next day
++ = Arrival 2nd day

Schedule subject to change without prior notice

– = Nonstop
② = Biweekly

Days of Operation	Dept.	Arr.	Flight No.	Aircraft Type	Operation Period	Via/ Stop
-------------------	-------	------	------------	---------------	------------------	-----------

FROM ISTANBUL SABIHA GÖKÇEN (SAW)

→ Moscow (DME)

1234567	10.50	14.45	PC0386	A320/B738	27.10. – 28.03.	–
---------	-------	-------	--------	-----------	-----------------	---

→ Munich (MUC)

1234567	08.40	10.35	PC1019	A320/B738	27.10. – 28.03.	–
–2–4–6–	12.10	14.05	PC1021	A320/B738	29.10. – 28.03.	–

→ Mus (MSR)

1234567	07.35	09.30	PC2490	A320/B738	27.10. – 28.03.	–
----4----	13.15	15.15	PC2494	A320/B738	31.10. – 26.03.	–
-----6-	10.30	12.30	PC2494	A320/B738	02.11. – 28.03.	–

→ Muscat (MCT)

–2–4–67	20.25	03.25+	PC0870	A320/B738	27.10. – 28.03.	–
---------	-------	--------	--------	-----------	-----------------	---

→ Nicosia (ECN)

1234567	07.05	08.35	PC1912	A320/B738	27.10. – 28.03.	–
12345–7	05.50	07.20	PC1930	A320/B738	27.10. – 27.03.	–
1234–67	13.35	15.05	PC1920	A320/B738	27.10. – 28.03.	–
123–567	19.45	21.15	PC1934	A320/B738	27.10. – 28.03.	–
1–34567	09.20	10.50	PC1918	A320/B738	27.10. – 28.03.	–
–3456–	22.20	23.50	PC1914	A320/B738	27.10. – 28.03.	–
---45–7	17.50	19.20	PC1922	A320/B738	27.10. – 27.03.	–

→ Ordu (OGU)

1234567	06.55	08.30	PC2860	A320/B738	27.10. – 05.11.	–
1234567	06.55	08.30	PC2860	A320/B738	25.12. – 28.03.	–
1234567	18.50	20.25	PC2862	A320/B738	27.10. – 28.03.	–
12–4567	06.55	08.30	PC2860	A320/B738	07.11. – 24.12.	–

→ Orly (ORY)

1234567	07.45	10.35	PC1133	A320/B738	27.10. – 28.03.	–
1234567	12.15	15.05	PC1135	A320/B738	27.10. – 28.03.	–

→ Oslo (OSL)

1---4567	09.40	12.35	PC1273	A320/B738	27.10. – 27.03.	–
----------	-------	-------	--------	-----------	-----------------	---

→ Prague (PRG)

1234567	11.40	13.20	PC0301	A320/B738	27.10. – 28.03.	–
---------	-------	-------	--------	-----------	-----------------	---

→ Pristina (PRN)

1234567	21.05	21.50	PC0342	A320/B738	27.10. – 28.03.	–
---------	-------	-------	--------	-----------	-----------------	---

→ Ras al Khaimah (RKT)

---3--6-	20.50	03.20+	PC0530	A320/B738	30.10. – 28.03.	–
----------	-------	--------	--------	-----------	-----------------	---

→ Riyadh (RUH)

1234567	21.35	02.40+	PC0690	A320/B738	27.10. – 28.03.	–
1–3–5–7	13.45	17.35	XY0256	A320	02.10. – 30.03.	–
–2–4–6–	21.55	01.45+	XY0256	A320	01.10. – 31.03.	–

Days of Operation	Dept.	Arr.	Flight No.	Aircraft Type	Operation Period	Via/ Stop
-------------------	-------	------	------------	---------------	------------------	-----------

FROM ISTANBUL SABIHA GÖKÇEN (SAW)

→ Rome–Fiumicino (FCO)

1234567	09.40	11.25	PC1223	A320/B738	27.10. – 28.03.	–
---45–7	14.50	16.35	PC1225	A320/B738	27.10. – 27.03.	–

→ Rotterdam (RTM)

1–3–5–7	10.35	13.20	PC1261	A320/B738	27.10. – 27.03.	–
---------	-------	-------	--------	-----------	-----------------	---

→ Samsun (SZF)

1234567	06.55	08.15	PC2790	A320/B738	27.10. – 28.03.	–
1234567	15.05	16.25	PC2794	A320/B738	27.10. – 28.03.	–
123456–	18.55	20.15	PC2796	A320/B738	27.10. – 28.03.	–
1---4567	11.00	12.20	PC2792	A320/B738	27.10. – 28.03.	–

→ Sanliurfa (GNY)

1234–6–	04.55	06.35	PC2420	A320/B738	28.10. – 28.03.	–
----5–7	18.40	20.20	PC2422	A320/B738	27.10. – 27.03.	–

→ Sarajevo (SJJ)

12–4–67	14.20	15.20	PC0291	A320/B738	27.10. – 12.11.	–
12–4–67	14.20	15.20	PC0291	A320/B738	19.12. – 28.03.	–
12----7	14.20	15.20	PC0291	A320/B738	17.11. – 17.12.	–
----5--	14.05	15.05	PC0291	A320/B738	01.11. – 27.03.	–

→ Sharjah (SHJ)

1234567	19.40	02.05+	PC0746	A320/B738	27.10. – 28.03.	–
---------	-------	--------	--------	-----------	-----------------	---

→ Sharm El Sheikh (SSH)

1234567	23.10	01.50+	PC0628	A320/B738	27.10. – 28.03.	–
---------	-------	--------	--------	-----------	-----------------	---

→ Sinop (NOP)

–3–5–7	18.25	19.40	PC2890	A320/B738	27.10. – 27.03.	–
--------	-------	-------	--------	-----------	-----------------	---

→ Sivas (VAS)

1–3456–	05.15	06.40	PC2750	A320/B738	28.10. – 28.03.	–
–2–4–67	17.45	19.10	PC2752	A320/B738	27.10. – 28.03.	–

→ Skopje (SKP)

1----6–	09.00	09.30	PC0351	A320/B738	28.10. – 28.03.	–
–3–5--	15.25	15.55	PC0351	A320/B738	30.10. – 27.03.	–

→ Stockholm–Arlanda (ARN)

1234567	07.25	10.00	PC1279	A320/B738	27.10. – 28.03.	–
–3–5–7	11.35	14.10	PC1281	A320/B738	27.10. – 27.03.	–

→ Stuttgart (STR)

1234567	09.45	11.50	PC0969	A320/B738	27.10. – 28.03.	–
1234567	13.40	15.45	PC0971	A320/B738	27.10. – 28.03.	–

All times local
+ = Arrival next day
++ = Arrival 2nd day

Schedule subject to change without prior notice

– = Nonstop
② = Biweekly

Days of Operation	Dept.	Arr.	Flight No.	Aircraft Type	Operation Period	Via/ Stop
-------------------	-------	------	------------	---------------	------------------	-----------

FROM ISTANBUL SABIHA GÖKÇEN (SAW)

→ Tbilisi (TBS)

1234567	22.50	01.05+	PC0314	A320/B738	27.10. – 28.03.	–
–2–4–	13.05	15.20	PC0316	A320/B738	29.10. – 26.03.	–
–6–	10.55	13.10	PC0316	A320/B738	02.11. – 28.03.	–

→ Teheran (IKA)

1234567	22.50	03.20+	PC0512	A320/B738	27.10. – 28.03.	–
---------	-------	--------	--------	-----------	-----------------	---

→ Tel Aviv (TLV)

1234567	07.10	09.10	PC0795	A320/B738	27.10. – 28.03.	–
1234567	19.20	21.20	PC0785	A320/B738	27.10. – 28.03.	–
1234567	22.10	00.10+	PC0779	A320/B738	27.10. – 28.03.	–
123–	12.55	14.55	PC0783	A320/B738	27.10. – 25.03.	–
–4–	10.10	12.10	PC0783	A320/B738	31.10. – 26.03.	–

→ Tirana (TIA)

1234567	20.40	22.35	PC0281	A320/B738	27.10. – 28.03.	–
---------	-------	-------	--------	-----------	-----------------	---

→ Trabzon (TZX)

1234567	04.55	06.35	PC2810	A320/B738	27.10. – 28.03.	–
1234567	09.05	10.45	PC2816	A320/B738	27.10. – 28.03.	–
1234567	14.40	16.20	PC2824	A320/B738	27.10. – 28.03.	–
1234567	19.10	20.50	PC2828	A320/B738	27.10. – 28.03.	–
1234567	22.00	23.40	PC2830	A320/B738	27.10. – 28.03.	–
123–567	07.05	08.45	PC2814	A320/B738	27.10. – 28.03.	–
1–	12.30	14.10	PC2822	A320/B738	28.10. – 23.03.	–
–234567	16.50	18.30	PC2826	A320/B738	27.10. – 28.03.	–
–2–4–5–7	10.35	12.15	PC2820	A320/B738	27.10. – 26.03.	–

→ Van (VAN)

1234567	09.25	11.20	PC2500	A320/B738	27.10. – 28.03.	–
1234567	15.00	16.55	PC2502	A320/B738	27.10. – 28.03.	–
–2–4–	06.10	08.05	PC2504	A320/B738	29.10. – 26.03.	–

→ Venice (VCE)

–2–4–7	10.50	12.25	PC1235	A320/B738	27.10. – 26.03.	–
--------	-------	-------	--------	-----------	-----------------	---

→ Vienna (VIE)

1234567	08.20	09.45	PC0901	A320/B738	27.10. – 28.03.	–
1234567	12.35	14.00	PC0903	A320/B738	27.10. – 28.03.	–

→ Zaporizhia (OZH)

–2–4–7	11.35	13.35	PC0432	A320/B738	27.10. – 26.03.	–
--------	-------	-------	--------	-----------	-----------------	---

→ Zurich (ZRH)

1234567	08.30	10.45	PC0947	A320/B738	27.10. – 28.03.	–
1–4–6–	12.45	15.00	PC0949	A320/B738	28.10. – 09.11.	–
1–4–6–	12.45	15.00	PC0949	A320/B738	16.12. – 11.01.	–
1–4–6–	12.45	15.00	PC0949	A320/B738	10.02. – 28.03.	–

All times local
 + = Arrival next day
 ++ = Arrival 2nd day

Schedule subject to change without prior notice

– = Nonstop
 ② = Biweekly

Days of Operation	Dept.	Arr.	Flight No.	Aircraft Type	Operation Period	Via/ Stop
-------------------	-------	------	------------	---------------	------------------	-----------

FROM IZMIR (ADB)

→ Adana (ADA)

1234567	14.30	15.50	PC3013	A320/B738	27.10. – 28.03.	–
12–456–	04.55	06.15	PC3010	A320/B738	28.10. – 28.03.	–
1–3–	17.45	19.05	PC3014	A320/B738	27.10. – 25.03.	–
–4–6–	18.20	19.40	PC3015	A320/B738	31.10. – 02.11.	–
–4–6–	18.20	19.40	PC3015	A320/B738	26.12. – 28.03.	–
–5–	18.10	19.30	PC3014	A320/B738	01.11. – 27.03.	–
–6–	18.20	19.40	PC3015	A320/B738	09.11. – 21.12.	–

→ Agri (AJI)

–3–6–	08.35	10.40	PC3122	A320/B738	30.10. – 28.03.	–
-------	-------	-------	--------	-----------	-----------------	---

→ Ankara (ESB)

1234567	05.10	06.20	PC3160	A320/B738	27.10. – 28.03.	–
1234567	09.25	10.35	PC3164	A320/B738	27.10. – 28.03.	–
1234567	18.00	19.10	PC3168	A320/B738	27.10. – 28.03.	–
1–567	13.40	14.50	PC3166	A320/B738	27.10. – 28.03.	–

→ Cologne (CGN)

–2–5–	23.55	02.20+	XC1027	B738	01.10. – 29.10.	–
–2–	22.15	00.40+	XC1027	B738	05.11. – 24.03.	–
–5–	22.40	01.15+	XC1027	B738	01.11. – 27.03.	–
–7	23.30	01.55+	XC3509	B738	06.10. – 27.10.	–

→ Dusseldorf (DUS)

1–4–6–	14.40	17.05	XC3503	B738	31.10. – 28.03.	–
1–6–	15.40	18.05	XC3503	B738	05.10. – 28.10.	–
–2–5–	16.25	18.50	PC1511	A320/B738	29.10. – 27.03.	–
–4–	05.40	08.05	XC3503	B738	03.10. – 24.10.	–

→ Elazig (EZS)

1–3–5–7	09.10	10.50	PC3110	A320/B738	27.10. – 27.03.	–
---------	-------	-------	--------	-----------	-----------------	---

→ Frankfurt (FRA)

–2–5–	07.00	09.20	XC3505	B738	01.11. – 27.03.	–
–2–5–	08.00	10.20	XC3505	B738	01.10. – 29.10.	–

→ Hamburg (HAM)

–3–	14.50	17.15	XC3511	B738	02.10. – 27.10.	–
–7	14.40	17.10	XC3511	B738	03.11. – 29.03.	–

→ Hanover (HAJ)

–45–	23.30	01.45+	XC3509	B738	03.10. – 25.10.	–
–4–7	06.05	08.30	XC3509	B738	03.11. – 29.03.	–

→ Hatay (HTY)

–2–	10.00	11.35	PC3020	A320/B738	29.10. – 24.03.	–
–5–	13.10	14.45	PC3020	A320/B738	01.11. – 27.03.	–
–7	18.40	20.15	PC3020	A320/B738	27.10. – 22.03.	–

Days of Operation	Dept.	Arr.	Flight No.	Aircraft Type	Operation Period	Via/ Stop
-------------------	-------	------	------------	---------------	------------------	-----------

Days of Operation	Dept.	Arr.	Flight No.	Aircraft Type	Operation Period	Via/ Stop
-------------------	-------	------	------------	---------------	------------------	-----------

FROM IZMIR (ADB)

→ Istanbul (IST)

1234567	06.55	08.15	PC3300	A320/B738	27.10. – 28.03.	–
1234567	10.30	11.55	PC3302	A320/B738	27.10. – 28.03.	–
1234567	14.25	15.55	PC3304	A320/B738	27.10. – 28.03.	–
1234567	18.00	19.30	PC3306	A320/B738	27.10. – 28.03.	–
1234567	21.10	22.40	PC3308	A320/B738	27.10. – 28.03.	–
1234567	23.15	00.35+	PC3310	A320/B738	27.10. – 28.03.	–

→ Istanbul Sabiha Gökçen (SAW)

1234567	04.20	05.25	PC2207	A320/B738	27.10. – 28.03.	–
1234567	08.00	09.05	PC2183	A320/B738	27.10. – 28.03.	–
1234567	08.55	10.00	PC2185	A320/B738	27.10. – 28.03.	–
1234567	10.05	11.10	PC2187	A320/B738	27.10. – 28.03.	–
1234567	12.20	13.25	PC2189	A320/B738	27.10. – 28.03.	–
1234567	14.20	15.25	PC2191	A320/B738	27.10. – 28.03.	–
1234567	15.40	16.45	PC2193	A320/B738	27.10. – 28.03.	–
1234567	17.55	19.00	PC2195	A320/B738	27.10. – 28.03.	–
1234567	18.55	20.00	PC2197	A320/B738	27.10. – 28.03.	–
1234567	20.10	21.15	PC2201	A320/B738	27.10. – 28.03.	–
1234567	21.20	22.25	PC2203	A320/B738	27.10. – 04.11.	–
1234567	21.20	22.25	PC2203	A320/B738	17.12. – 28.03.	–
12345---	06.55	08.00	PC2181	A320/B738	28.10. – 27.03.	–
1234-6-	10.40	11.45	PC2211	A320/B738	28.10. – 28.03.	–
123-5-7	05.25	06.30	PC2213	A320/B738	28.10. – 27.03.	–
1-34567	21.20	22.25	PC2203	A320/B738	06.11. – 16.12.	–
1-----	19.35	20.40	PC2199	A320/B738	16.12. – 23.03.	–
-2-4-6-	19.45	20.50	PC2199	A320/B738	27.10. – 28.03.	–
-2--567	22.00	23.05	PC2205	A320/B738	27.10. – 28.03.	–
-2---6-	13.35	14.40	PC2209	A320/B738	29.10. – 28.03.	–
-3----	21.50	22.55	PC2205	A320/B738	18.12. – 25.03.	–
----5--	19.35	20.40	PC2199	A320/B738	02.11. – 27.03.	–
-----7	06.55	08.00	PC2181	A320/B738	01.12. – 22.03.	–

→ Kayseri (ASR)

--3-5--	14.25	15.45	PC3190	A320/B738	30.10. – 27.03.	–
---4--7	05.00	06.20	PC3190	A320/B738	27.10. – 26.03.	–
-----6-	09.55	11.15	PC3190	A320/B738	02.11. – 28.03.	–

→ London–Stansted (STN)

-2-4-6-	09.50	11.55	PC1527	A320/B738	29.10. – 09.11.	–
-2-4-6-	09.50	11.55	PC1527	A320/B738	17.12. – 28.03.	–
---4-6-	09.50	11.55	PC1527	A320/B738	14.11. – 14.12.	–

→ Maastricht (MST)

---4---	14.10	16.40	XC3501	B738	03.10. – 24.10.	–
-----7	06.00	08.30	XC3501	B738	06.10. – 27.10.	–

→ Mardin (MQM)

-23---7	13.00	15.00	PC3060	A320/B738	27.10. – 25.03.	–
---45--	09.10	11.10	PC2432	A320/B738	31.10. – 27.03.	–

→ Munich (MUC)

1----6-	07.10	09.00	XC3501	B738	02.11. – 28.03.	–
1----6-	08.10	10.00	XC3501	B738	07.10. – 28.10.	–

FROM IZMIR (ADB)

→ Nicosia (ECN)

1234567	05.35	06.50	PC1860	A320/B738	27.10. – 30.11.	–
1234567	05.35	06.50	PC1860	A320/B738	02.02. – 28.03.	–
1234567	19.30	20.45	PC1862	A320/B738	28.10. – 28.03.	–
123456-	05.35	06.50	PC1860	A320/B738	02.12. – 01.02.	–
-----5-7	10.00	11.15	PC1864	A320/B738	27.10. – 27.03.	–
-----7	15.05	16.20	PC1866	A320/B738	27.10. – 22.03.	–

→ Samsun (SZF)

--34-67	13.40	15.10	PC3230	A320/B738	27.10. – 28.03.	–
---------	-------	-------	--------	-----------	-----------------	---

→ Sanliurfa (GNY)

1-3----	12.55	14.50	PC3050	A320/B738	28.10. – 25.03.	–
-----6-	08.45	10.40	PC3050	A320/B738	02.11. – 28.03.	–

→ Sivas (VAS)

---4---	14.25	15.55	PC3200	A320/B738	31.10. – 26.03.	–
-----6-	17.00	18.30	PC3200	A320/B738	02.11. – 28.03.	–

→ Stuttgart (STR)

-2--5--	15.20	17.20	XC3507	B738	01.11. – 27.03.	–
-2--5--	16.20	18.20	XC3507	B738	01.10. – 29.10.	–

→ Trabzon (TZX)

-23-56-	05.00	06.50	PC3240	A320/B738	29.10. – 28.03.	–
---------	-------	-------	--------	-----------	-----------------	---

All times local

+ = Arrival next day
++ = Arrival 2nd day

Schedule subject to change without prior notice

- = Nonstop
② = Biweekly

Days of Operation	Dept.	Arr.	Flight No.	Aircraft Type	Operation Period	Via/ Stop
-------------------	-------	------	------------	---------------	------------------	-----------

Days of Operation	Dept.	Arr.	Flight No.	Aircraft Type	Operation Period	Via/ Stop
-------------------	-------	------	------------	---------------	------------------	-----------

FROM JEDDAH (JED)

FROM JEDDAH (JED)

→ Abha (AHB)

1234567	07.00	08.10	XY0425	A320	01.10. – 31.03.	–
1234567	20.50	22.00	XY0433	A320	01.10. – 31.03.	–
123–5–7	17.00	18.15	XY0861	A319	01.10. – 31.03.	–

→ Ad Dammam (DMM)

1234567	06.50	08.55	XY0402	A320	01.10. – 31.03.	–
1234567	10.10	12.10	XY0404	A320	01.10. – 31.03.	–
1234567	13.00	15.05	XY0406	A320	01.10. – 31.03.	–
1234567	15.45	17.50	XY0410	A320	01.10. – 31.03.	–
1234567	19.30	21.35	XY0412	A320	01.10. – 31.03.	–

→ Amman (AMM)

1234–67	12.40	14.50	XY0551	A320	01.10. – 31.03.	–
---------	-------	-------	--------	------	-----------------	---

→ Arbil (EBL)

1–4–6–	00.50	03.40	XY0611	A320	03.10. – 30.03.	–
--------	-------	-------	--------	------	-----------------	---

→ Baghdad (BGW)

12–5–7	06.35	09.20	XY0605	A320	01.10. – 31.03.	–
--------	-------	-------	--------	------	-----------------	---

→ Cairo (CAI)

1234567	18.50	20.00	XY0567	A320	01.10. – 31.03.	–
–34567	05.30	06.40	XY0565	A320	02.10. – 29.03.	–

→ Dubai (DXB)

1234567	07.20	11.15	XY0501	A320	01.10. – 31.03.	–
1234567	14.35	18.30	XY0509	A320	01.10. – 31.03.	–

→ Gassim (ELQ)

1234567	11.45	13.05	XY0453	A320	01.10. – 31.03.	–
---------	-------	-------	--------	------	-----------------	---

→ Ha'il (HAS)

1234567	12.35	13.55	XY0457	A320	01.10. – 31.03.	–
---------	-------	-------	--------	------	-----------------	---

→ Hatay (HTY)

12–5–	08.00	11.20	XY0561	A320	01.10. – 31.03.	–
-------	-------	-------	--------	------	-----------------	---

→ Istanbul Sabiha Gökçen (SAW)

1234567	02.10	05.05	PC0679	A320/B738	27.10. – 11.11.	–
1234567	02.10	05.05	PC0679	A320/B738	10.12. – 20.01.	–
1234567	02.10	05.05	PC0679	A320/B738	03.03. – 09.03.	–
1234567	02.10	05.05	PC0679	A320/B738	11.03. – 28.03.	–
1234567	09.35	13.20	XY0555	A320	01.10. – 31.03.	–
1–34567	02.10	05.05	PC0679	A320/B738	13.11. – 09.12.	–
1–34567	02.10	05.05	PC0679	A320/B738	22.01. – 02.03.	–

→ Jizan (GIZ)

1234567	07.05	08.35	XY0435	A320	01.10. – 31.03.	–
1234567	19.25	20.55	XY0441	A320	01.10. – 31.03.	–
–3–	12.20	13.50	XY0439	A320	02.10. – 25.03.	–

→ Khartoum (KRT)

1234567	22.15	23.10	XY0591	A320	01.10. – 31.03.	–
---------	-------	-------	--------	------	-----------------	---

→ Kuwait (KWI)

1234567	05.25	07.30	J90216	A320	28.10. – 27.03.	–
1234567	14.20	16.25	J90212	A320	28.10. – 27.03.	–
1234567	15.40	17.45	J90214	A320	28.10. – 27.03.	–
1234–67	13.00	15.05	XY0529	A320	01.10. – 31.03.	–
–4–6–	14.00	16.05	XY0531	A320	03.10. – 28.03.	–
–6–	21.00	23.05	XY0533	A320	05.10. – 28.03.	–

→ Medina (MED)

1–4–6–	00.50	07.30	XY0611	A320	03.10. – 30.03.	EBL
–3–7	11.15	12.15	XY0417	A320	02.10. – 29.03.	–

→ Riyadh (RUH)

1234567	06.10	07.45	XY0014	A320	01.10. – 31.03.	–
1234567	09.00	10.35	XY0006	A320	01.10. – 31.03.	–
1234567	14.00	15.35	XY0036	A320	01.10. – 31.03.	–
1234567	16.00	17.35	XY0042	A320	01.10. – 31.03.	–
1234567	17.00	18.35	XY0046	A320	01.10. – 31.03.	–
1234567	18.10	19.45	XY0032	A320	01.10. – 31.03.	–
1234567	21.00	22.35	XY0060	A320	01.10. – 31.03.	–
1234567	22.00	23.35	XY0062	A320	01.10. – 31.03.	–
1234567	23.59	01.35+	XY0054	A320	01.10. – 31.03.	–
12345–7	19.00	20.35	XY0034	A320	01.10. – 31.03.	–
123–5–7	20.00	21.35	XY0038	A320	01.10. – 31.03.	–
12–5–7	15.00	16.35	XY0024	A320	01.10. – 31.03.	–
–4–6–	07.10	08.45	XY0018	A320	03.10. – 28.03.	–

→ Tabuk (TUU)

1234567	07.50	09.20	XY0447	A320	01.10. – 31.03.	–
1234567	19.00	20.30	XY0449	A320	01.10. – 31.03.	–

All times local
+ = Arrival next day
++ = Arrival 2nd day

Schedule subject to change without prior notice

– = Nonstop
② = Biweekly

Days of Operation	Dept.	Arr.	Flight No.	Aircraft Type	Operation Period	Via/ Stop
-------------------	-------	------	------------	---------------	------------------	-----------

FROM JIZAN (GIZ)

→ Abha (AHB)

-2-4-6-	23.50	00.35+	XY0853	A319	01.10. - 31.03.	-
---------	-------	--------	--------	------	-----------------	---

→ Ad Dammam (DMM)

1234567	19.40	21.55	XY0716	A321	01.10. - 31.03.	-
---------	-------	-------	--------	------	-----------------	---

→ Jeddah (JED)

1234567	09.10	10.40	XY0436	A320	01.10. - 31.03.	-
1234567	21.30	23.00	XY0442	A320	01.10. - 31.03.	-
--3----	14.25	15.55	XY0440	A320	02.10. - 25.03.	-

→ Riyadh (RUH)

1234567	00.35	02.20	XY0116	A320	01.10. - 31.03.	-
1234567	05.25	07.10	XY0114	A320	01.10. - 31.03.	-
1234567	09.20	11.05	XY0106	A320	01.10. - 31.03.	-
1234567	14.20	16.05	XY0108	A320	01.10. - 31.03.	-
123-5-7	19.20	21.05	XY0112	A320	01.10. - 31.03.	-

FROM KAHRAMANMARAS (KCM)

→ Istanbul Sabiha Gökçen (SAW)

1-3-567	07.55	09.25	PC2120	A320/B738	27.10. - 28.03.	-
---------	-------	-------	--------	-----------	-----------------	---

FROM KARS (KSY)

→ Istanbul Sabiha Gökçen (SAW)

1234567	09.05	11.15	PC2591	A320/B738	27.10. - 28.03.	-
----5--	13.00	15.10	PC2593	A320/B738	01.11. - 27.03.	-
-----7	18.20	20.30	PC2593	A320/B738	27.10. - 22.03.	-

FROM KATHMANDU (KTM)

→ Kuwait (KWI)

1234567	02.00	05.25	J90538	A320	20.12. - 28.03.	-
---------	-------	-------	--------	------	-----------------	---

Days of Operation	Dept.	Arr.	Flight No.	Aircraft Type	Operation Period	Via/ Stop
-------------------	-------	------	------------	---------------	------------------	-----------

FROM KAYSERI (ASR)

→ Antalya (AYT)

12-4567	16.30	17.40	PC3503	A320/B738	27.10. - 28.03.	-
--3----	09.30	10.40	PC3503	A320/B738	30.10. - 25.03.	-

→ Dusseldorf (DUS)

1-----7	03.05	06.15	PC1619	A320/B738	28.10. - 28.03.	-
--3----	07.55	11.05	PC1619	A320/B738	30.10. - 25.03.	-
-----6-	12.00	15.10	PC1619	A320/B738	02.11. - 28.03.	-

→ Frankfurt (FRA)

-----7	07.30	10.30	PC1623	A320/B738	27.10. - 17.11.	-
-----7	07.30	10.30	PC1630	A320/B738	22.12. - 19.01.	-
-----7	07.30	10.30	PC1630	A320/B738	09.02. - 22.03.	-

→ Istanbul Sabiha Gökçen (SAW)

1234567	07.15	08.40	PC2731	A320/B738	27.10. - 28.03.	-
1234567	09.05	10.30	PC2733	A320/B738	27.10. - 28.03.	-
1234567	14.50	16.15	PC2737	A320/B738	27.10. - 28.03.	-
12345-7	19.55	21.20	PC2739	A320/B738	27.10. - 27.03.	-
-234567	04.55	06.20	PC2743	A320/B738	27.10. - 28.03.	-
-2--567	21.10	22.35	PC2741	A320/B738	27.10. - 28.03.	-
-2----7	18.10	19.35	PC2735	A320/B738	29.10. - 24.03.	-
--3-5--	18.35	20.00	PC2745	A320/B738	30.10. - 27.03.	-

→ Izmir (ADB)

--3-5--	16.15	17.45	PC3191	A320/B738	30.10. - 27.03.	-
---4--7	06.50	08.20	PC3191	A320/B738	27.10. - 26.03.	-
-----6-	21.20	22.50	PC3191	A320/B738	02.11. - 28.03.	-

→ Rotterdam (RTM)

-2-----	08.35	11.40	PC1643	A320/B738	29.10. - 24.03.	-
---------	-------	-------	--------	-----------	-----------------	---

→ Stuttgart (STR)

-2-----	07.40	10.25	PC1646	A320/B738	29.10. - 24.03.	-
---------	-------	-------	--------	-----------	-----------------	---

FROM KHARKIV (HRK)

→ Istanbul Sabiha Gökçen (SAW)

1234567	15.50	18.10	PC0427	A320/B738	27.10. - 28.03.	-
---------	-------	-------	--------	-----------	-----------------	---

All times local
+ = Arrival next day
++ = Arrival 2nd day

Schedule subject to change without prior notice

- = Nonstop
② = Biweekly

Days of Operation	Dept.	Arr.	Flight No.	Aircraft Type	Operation Period	Via/ Stop
-------------------	-------	------	------------	---------------	------------------	-----------

FROM KHARTOUM (KRT)

→ Ad Dammam (DMM)

12--5--	07.40	11.45	XY0893	A321	01.10. - 31.03.	-
---------	-------	-------	--------	------	-----------------	---

→ Jeddah (JED)

1234567	00.20	02.50	XY0592	A320	01.10. - 31.03.	-
---------	-------	-------	--------	------	-----------------	---

→ Medina (MED)

--3---7	15.00	18.00	XY0682	A320	02.10. - 29.03.	-
---------	-------	-------	--------	------	-----------------	---

→ Riyadh (RUH)

1234567	02.10	06.00	XY0294	A320	01.10. - 31.03.	-
---------	-------	-------	--------	------	-----------------	---

FROM KIEV (KBP)

→ Ankara (ESB)

1234567	02.10	04.15	PC1723	A320/B738	28.10. - 28.03.	-
---------	-------	-------	--------	-----------	-----------------	---

FROM KONYA (KYA)

→ Copenhagen (CPH)

-----6-	12.55	15.45	PC1771	A320/B738	02.11. - 28.03.	-
---------	-------	-------	--------	-----------	-----------------	---

→ Istanbul Sabiha Gökçen (SAW)

1234567	05.15	06.25	PC2709	A320/B738	27.10. - 28.03.	-
1234567	18.40	19.50	PC2705	A320/B738	27.10. - 28.03.	-
123456-	07.00	08.10	PC2701	A320/B738	28.10. - 28.03.	-
1--4567	09.25	10.35	PC2703	A320/B738	27.10. - 28.03.	-
-----6-	22.10	23.20	PC2707	A320/B738	02.11. - 28.03.	-

FROM KRASNADOR (KRR)

→ Antalya (AYT)

---4--7	11.40	13.45	PC0385	A320/B738	27.10. - 26.03.	-
---------	-------	-------	--------	-----------	-----------------	---

→ Istanbul Sabiha Gökçen (SAW)

1234567	02.05	05.00	PC0381	A320/B738	27.10. - 28.03.	-
---------	-------	-------	--------	-----------	-----------------	---

Days of Operation	Dept.	Arr.	Flight No.	Aircraft Type	Operation Period	Via/ Stop
-------------------	-------	------	------------	---------------	------------------	-----------

FROM KUWAIT (KWI)

→ Ad Dammam (DMM)

-23----	07.15	08.20	J90231	A320	24.12. - 25.03.	-
-23----	17.00	18.05	J90233	A320	24.12. - 25.03.	-

→ Ahmedabad (AMD)

--3-5-7	00.05	06.00	J90407	A320	30.10. - 27.03.	-
---------	-------	-------	--------	------	-----------------	---

→ Al Ain (AAN)

1---5-7	12.45	15.20	J90139	A320	28.10. - 27.03.	-
---------	-------	-------	--------	------	-----------------	---

→ Alexandria (HBE)

1234567	18.55	21.20	J90721	A320	27.10. - 28.03.	-
---------	-------	-------	--------	------	-----------------	---

→ Amman (AMM)

1234567	19.20	20.55	J90253	A320	27.10. - 28.03.	-
---456-	06.40	08.15	J90251	A320	31.10. - 28.03.	-

→ Assuit (ATZ)

1-345-7	22.15	00.35+	J90701	A320	27.10. - 27.03.	-
---------	-------	--------	--------	------	-----------------	---

→ Bahrain (BAH)

1234567	16.50	18.05	J90103	A320	27.10. - 28.03.	-
12-4--7	05.50	07.05	J90101	A320	27.10. - 26.03.	-

→ Baku (GYD)

-2-4-6-	09.30	12.50	J90601	A320	29.10. - 28.03.	-
---------	-------	-------	--------	------	-----------------	---

→ Cairo (CAI)

1234567	09.10	11.30	J90731	A320	27.10. - 28.03.	-
1234567	18.10	20.30	J90733	A320	27.10. - 28.03.	-
-234-6-	16.50	19.10	J90735	A320	29.10. - 28.03.	-

→ Cochin (COK)

--3456-	17.40	00.55+	J90405	A320	30.10. - 28.03.	-
---------	-------	--------	--------	------	-----------------	---

→ Dhaka (DAC)

1234567	11.00	19.10	J90531	A320	15.11. - 28.03.	-
---------	-------	-------	--------	------	-----------------	---

→ Doha (DOH)

1234567	01.55	03.15	J90111	A320	27.10. - 28.03.	-
1234567	06.40	08.00	J90113	A320	27.10. - 28.03.	-
1234567	13.00	14.20	J90115	A320	27.10. - 28.03.	-

→ Dubai (DXB)

1234567	06.35	09.25	J90121	A320	27.10. - 28.03.	-
1234567	13.40	16.30	J90123	A320	27.10. - 28.03.	-
1234567	18.35	21.25	J90127	A320	27.10. - 28.03.	-
---4-6-	16.00	18.50	J90125	A320	31.10. - 28.03.	-

→ Gassim (ELQ)

-23-5--	12.00	13.15	J90237	A320	20.12. - 27.03.	-
---------	-------	-------	--------	------	-----------------	---

All times local

+ = Arrival next day
 ++ = Arrival 2nd day

Schedule subject to change without prior notice

- = Nonstop
 Ⓜ = Biweekly

Days of Operation	Dept.	Arr.	Flight No.	Aircraft Type	Operation Period	Via/ Stop
-------------------	-------	------	------------	---------------	------------------	-----------

FROM KUWAIT (KWI)

→ Hyderabad (HYD)

1234567	18.40	01.35+	J90403	A320	27.10. – 28.03.	–
---------	-------	--------	--------	------	-----------------	---

→ Istanbul (IST)

1234567	10.05	13.00	J90301	A320	27.10. – 28.03.	–
---------	-------	-------	--------	------	-----------------	---

→ Istanbul Sabiha Gökçen (SAW)

1234567	02.00	05.00	PC0859	A320/B738	27.10. – 28.03.	–
1---4--7	11.10	13.50	J90305	A320	28.10. – 26.03.	–
-2345-7	04.25	07.20	PC0861	A320/B738	27.10. – 28.03.	–

→ Jeddah (JED)

1234567	01.45	03.25	J90215	A320	27.10. – 28.03.	–
1234567	10.40	13.20	J90211	A320	27.10. – 28.03.	–
1234567	12.00	14.40	J90213	A320	27.10. – 28.03.	–
1234-67	16.00	18.20	XY0530	A320	01.10. – 31.03.	–
---4-6-	16.55	19.20	XY0532	A320	03.10. – 28.03.	–
-----6-	23.35	02.20+	XY0534	A320	05.10. – 28.03.	–

→ Kathmandu (KTM)

1234567	17.55	01.15+	J90537	A320	20.12. – 28.03.	–
---------	-------	--------	--------	------	-----------------	---

→ Lahore (LHE)

-2--5-7	18.40	00.10+	J90501	A320	27.10. – 28.03.	–
---------	-------	--------	--------	------	-----------------	---

→ London Gatwick (LGW)

1234---	08.40	12.40	J90001	A320	28.10. – 26.03.	–
-----5--	07.40	11.45	J90001	A320	01.11. – 27.03.	–
-----6-	11.00	15.05	J90001	A320	02.11. – 28.03.	–
-----7	06.45	10.50	J90001	A320	27.10. – 22.03.	–

→ Luxor (LXR)

1-3-5-7	04.40	06.45	J90707	A320	27.10. – 27.03.	–
---------	-------	-------	--------	------	-----------------	---

→ Mashhad (MHD)

1234-67	09.55	13.45	J90151	A320	27.10. – 28.03.	–
---------	-------	-------	--------	------	-----------------	---

→ Mumbai (BOM)

1234567	20.50	03.00+	J90401	A320	27.10. – 28.03.	–
---------	-------	--------	--------	------	-----------------	---

→ Najaf (NJF)

-23--6-	12.05	13.25	J90141	A320	29.10. – 28.03.	–
---------	-------	-------	--------	------	-----------------	---

→ New Delhi (DEL)

-234-6-	00.50	07.00	J90409	A320	27.10. – 28.03.	–
---------	-------	-------	--------	------	-----------------	---

→ Riyadh (RUH)

1234567	12.00	13.25	J90221	A320	27.10. – 28.03.	–
1-34-6-	20.50	22.10	XY0232	A320	01.10. – 30.03.	–

Days of Operation	Dept.	Arr.	Flight No.	Aircraft Type	Operation Period	Via/ Stop
-------------------	-------	------	------------	---------------	------------------	-----------

FROM KUWAIT (KWI)

→ Sohag (HMB)

1234567	04.45	06.40	J90713	A320	27.10. – 28.03.	–
1----5-7	18.15	20.25	J90715	A320	27.10. – 27.03.	–

→ Ta'if (TIF)

1-34-6-	15.00	17.10	XY0382	A320	02.10. – 30.10.	–
---------	-------	-------	--------	------	-----------------	---

→ Tbilisi (TBS)

--3-5-7	10.45	14.15	J90611	A320	30.10. – 27.03.	–
---------	-------	-------	--------	------	-----------------	---

FROM LAHORE (LHE)

→ Ad Dammam (DMM)

1234-6-	01.45	04.20	XY0884	A321	01.10. – 31.03.	–
---------	-------	-------	--------	------	-----------------	---

→ Kuwait (KWI)

1-3--6-	01.00	03.35	J90502	A320	27.10. – 28.03.	–
---------	-------	-------	--------	------	-----------------	---

→ Riyadh (RUH)

--3-5-7	04.45	08.00	XY0318	A320	02.10. – 29.03.	–
---------	-------	-------	--------	------	-----------------	---

FROM LA ROMANA (LRM)

→ Milan-Malpensa (MXP)

-----5--	21.50	11.30+	N00505	B787/767	20.12. – 27.03.	–
-----6-	18.05	07.45+	N00631	B787/767	02.11. – 28.03.	–

→ Rome-Fiumicino (FCO)

-----6-	21.40	11.50+	N00651	B787/767	21.12. – 28.03.	–
---------	-------	--------	--------	----------	-----------------	---

→ Verona (VRN)

-----5--	16.40	10.00+	N00522	B767/787	22.12. – 27.04.	–
----------	-------	--------	--------	----------	-----------------	---

All times local
 + = Arrival next day
 ++ = Arrival 2nd day

Schedule subject to change without prior notice

- = Nonstop
 ② = Biweekly

Days of Operation	Dept.	Arr.	Flight No.	Aircraft Type	Operation Period	Via/ Stop
-------------------	-------	------	------------	---------------	------------------	-----------

FROM LAS PALMAS (LPA)

→ Amsterdam (AMS)

-----7	11.40	17.05	CD0718	B738	03.11. – 29.03.	-
--------	-------	-------	--------	------	-----------------	---

→ Cologne (CGN)

--3--6-	16.30	21.55	XR1035	B738	02.11. – 28.03.	-
--3----	17.40	23.00	XR1033	B738	02.10. – 30.10.	-

→ Milan–Malpensa (MXP)

1-----	12.20	17.25	N01482	B737	23.12. – 17.02.	-
1-----	12.35	17.40	N01652	B737	24.02. – 30.03.	-
1-----	18.20	23.15	N01652	B737	04.11. – 25.11.	-
1-----	18.20	23.25	N01652	B737	02.12. – 16.12.	-

→ Munster (FMO)

--3----	11.30	17.15	XR9036	B738	02.10. – 30.10.	-
--3----	16.50	22.30	XR9036	B738	06.11. – 25.03.	-
-----6-	20.55	02.50+	XR9036	B738	02.11. – 28.03.	-

→ Nuremberg (NUE)

--3----	16.40	22.10	XR2107	B738	06.11. – 25.03.	-
--3----	17.40	23.10	XR2107	B738	02.10. – 30.10.	-
-----6-	10.45	16.15	XR2107	B738	05.10. – 26.10.	-
-----6-	20.45	02.30	XR2107	B738	02.11. – 28.03.	-

→ Verona (VRN)

1-----	12.45	17.50	N01270	B737	13.01. – 30.03.	-
--------	-------	-------	--------	------	-----------------	---

All times local
+ = Arrival next day
++ = Arrival 2nd day

Schedule subject to change without prior notice

- = Nonstop
Ⓜ = Biweekly

Days of Operation	Dept.	Arr.	Flight No.	Aircraft Type	Operation Period	Via/ Stop
-------------------	-------	------	------------	---------------	------------------	-----------

FROM LEIPZIG (LEJ)

→ Agadir (AGA)

-----6-	05.30	09.00	XR9602	B738	02.11. – 28.03.	-
---------	-------	-------	--------	------	-----------------	---

→ Antalya (AYT)

1-----	07.00	11.20	XC9102	B738	04.11. – 23.03.	-
1-----	12.20	16.30	XC8012	A320	07.10. – 21.10.	-
-2-----	06.30	10.40	XC9122	B738	01.10. – 29.10.	-
--3----	09.50	14.00	XC3042	B737/B738	06.11. – 25.03.	-
--3----	16.55	21.10	XC3042	B738/A320	02.10. – 30.10.	-
---4---	09.30	13.45	XC8044	A320	03.10. – 24.10.	-
---5---	08.15	12.30	XC5042	B738/A320	04.10. – 25.10.	-
---5---	09.40	13.50	XC5042	B737/B738	01.11. – 27.03.	-
---6---	09.50	14.00	XC6042	B737/B738	02.11. – 28.03.	-
---6---	11.15	15.30	XC6042	B738/A320	05.10. – 26.10.	-
---7---	19.25	23.35	XC0826	B738/A320	06.10. – 03.11.	-

→ Heraklion (HER)

-2-----	11.25	15.25	XR0252	B738	01.10. – 29.10.	-
---6---	10.30	14.35	XR6202	B738	05.10. – 19.10.	-

→ Marrakech (RAK)

--3----	12.05	15.25	XR9134	B738	12.02. – 25.03.	Ⓜ
---6---	13.20	16.40	XR9164	B738	19.10. – 14.12.	Ⓜ

→ Rhodes (RHO)

--3----	10.10	14.10	XR9252	A320	02.10. – 23.10.	-
---5---	09.50	13.55	XR9252	A320	04.10. – 25.10.	-

FROM LONDON GATWICK (LGW)

→ Kuwait (KWI)

1234---	13.45	23.05	J90002	A320	28.10. – 26.03.	-
---5---	14.00	23.20	J90002	A320	01.11. – 27.03.	-
---6---	16.40	02.00+	J90002	A320	02.11. – 28.03.	-
---7---	12.35	21.55	J90002	A320	27.10. – 22.03.	-

FROM LONDON–STANSTED (STN)

→ Istanbul Sabiha Gökçen (SAW)

1234567	10.10	15.55	PC1170	A320/B738	27.10. – 28.03.	-
1234567	13.10	18.55	PC1182	A320/B738	27.10. – 28.03.	-
1234567	23.45	05.30+	PC1164	A320/B738	27.10. – 28.03.	-
1234-6-	17.35	23.20	PC1162	A320/B738	28.10. – 28.03.	-

→ Izmir (ADB)

-2-4-6-	12.35	18.20	PC1528	A320/B738	29.10. – 09.11.	-
-2-4-6-	12.35	18.20	PC1528	A320/B738	17.12. – 28.03.	-
---4-6-	12.35	18.20	PC1528	A320/B738	14.11. – 14.12.	-

Days of Operation	Dept.	Arr.	Flight No.	Aircraft Type	Operation Period	Via/ Stop
-------------------	-------	------	------------	---------------	------------------	-----------

FROM LONGDONGBAO (KWE)

→ Milan–Malpensa (MXP)

--3----	23.55	05.00+	N00973	B787/767	13.11. – 25.12.	-
---------	-------	--------	--------	----------	-----------------	---

FROM LUXOR (LXR)

→ Kuwait (KWI)

1-3-5-7	07.30	10.55	J90708	A320	27.10. – 27.03.	-
---------	-------	-------	--------	------	-----------------	---

FROM LVIV (LWO)

→ Istanbul Sabiha Gökçen (SAW)

1-345-7	16.15	18.15	PC0421	A320/B738	27.10. – 27.03.	-
---------	-------	-------	--------	-----------	-----------------	---

FROM LYON (LYS)

→ Istanbul Sabiha Gökçen (SAW)

1234567	12.25	16.30	PC1142	A320/B738	27.10. – 28.03.	-
1---56-	03.15	07.20	PC1144	A320/B738	28.10. – 28.03.	-

FROM MAASTRICHT (MST)

→ Antalya (AYT)

1-----	06.00	10.45	XC0591	B738	07.10. – 21.10.	-
1-----	09.00	13.00	XC0591	B738	04.11. – 30.03.	-
--3----	15.15	20.00	XC0515	B738	02.10. – 23.10.	-
---4---	08.30	13.30	XC0591	B738	07.11. – 28.11.	-
---4---	08.30	13.30	XC0591	B738	20.02. – 26.03.	-
----5--	14.30	19.10	XC0595	B738	04.10. – 01.11.	-
-----7	06.00	10.40	XC0713	B738	06.10. – 27.10.	-

→ Izmir (ADB)

---4---	17.30	21.50	XC3502	B738	03.10. – 31.10.	-
-----7	09.30	13.50	XC3502	B738	06.10. – 27.10.	-

→ Las Palmas (LPA)

----5--	08.30	12.05	XR0117	B738	08.11. – 27.03.	-
---------	-------	-------	--------	------	-----------------	---

Days of Operation	Dept.	Arr.	Flight No.	Aircraft Type	Operation Period	Via/ Stop
-------------------	-------	------	------------	---------------	------------------	-----------

FROM MADRID (MAD)

→ Cancun (CUN)

1-----	14.45	19.45	E90813	A350	04.11. – 27.04.	-
----5--	14.45	19.45	E90813	A350	01.11. – 13.12.	-
----5--	14.45	19.45	E90813	A333	20.12. – 24.04.	-

→ Havana (HAV)

--3---7	13.10	17.30	E90825	A350	03.11. – 29.04.	-
----5--	13.10	17.30	E90825	A350	20.12. – 24.04.	-

→ Istanbul Sabiha Gökçen (SAW)

1234567	13.35	18.45	PC1100	A320/B738	27.10. – 28.03.	-
---------	-------	-------	--------	-----------	-----------------	---

→ Punta Cana (PUJ)

1-----	15.55	19.45	E90801	A333	16.12. – 30.03.	-
-2-----	15.55	19.45	E90801	A350	05.11. – 10.12.	-
-2-----	15.55	19.45	E90801	A350	07.04. – 28.04.	-
-----6-	15.55	19.45	E90801	A350	02.11. – 25.04.	-

FROM MALATYA (MLX)

→ Istanbul Sabiha Gökçen (SAW)

1234567	07.40	09.20	PC2571	A320/B738	27.10. – 28.10.	-
1234567	18.25	20.05	PC2573	A320/B738	27.10. – 28.10.	-

FROM MALE (MLE)

→ Milan–Malpensa (MXP)

-2-----	11.05	17.15	N00141	B787/767	05.11. – 31.03.	-
---------	-------	-------	--------	----------	-----------------	---

→ Rome–Fiumicino (FCO)

1-----	10.05	15.45	N00711	B787/767	04.11. – 30.03.	-
--------	-------	-------	--------	----------	-----------------	---

→ Verona (VRN)

1-----	10.05	18.15	N00711	B787/767	04.11. – 30.03.	FCO
--------	-------	-------	--------	----------	-----------------	-----

FROM MANCHESTER (MAN)

→ Istanbul Sabiha Gökçen (SAW)

123--67	12.15	18.25	PC1180	A320/B738	27.10. – 28.03.	-
---------	-------	-------	--------	-----------	-----------------	---

All times local
 + = Arrival next day
 ++ = Arrival 2nd day

Schedule subject to change without prior notice

- = Nonstop
 ② = Biweekly

Days of Operation	Dept.	Arr.	Flight No.	Aircraft Type	Operation Period	Via/ Stop
-------------------	-------	------	------------	---------------	------------------	-----------

FROM MARDIN (MQM)

→ Istanbul Sabiha Gökçen (SAW)

1-3-5-6-	08.40	10.40	PC2431	A320/B738	28.10. - 28.03.	-
-2-4--7	18.50	20.50	PC2433	A320/B738	27.10. - 26.03.	-

→ Izmir (ADB)

-23---7	16.20	17.30	PC3061	A320/B738	27.10. - 25.03.	-
---45--	11.40	13.50	PC3061	A320/B738	31.10. - 27.03.	-

FROM MARRAKECH (RAK)

→ Berlin-Schoenefeld (SXF)

----5--	06.30	11.40	XR9151	B738	07.02. - 20.03.	②
-----7	06.00	11.10	XR9173	B738	27.10. - 08.12.	②
-----7	06.00	11.10	XR9173	B738	16.02. - 29.03.	②

→ Brussels (BRU)

----4---	06.00	10.40	XR9141	B738	24.10. - 05.12.	②
----4---	06.00	10.40	XR9141	B738	31.10. - 12.12.	②

→ Dusseldorf (DUS)

--3----	06.00	10.45	XR9133	B738	16.10. - 27.11.	②
-----6-	06.00	10.45	XR9161	B738	12.10. - 07.12.	②
-----6-	06.00	10.45	XR9161	B738	08.02. - 21.03.	②
-----6-	06.00	10.45	XR9165	B738	15.02. - 28.03.	②

→ Frankfurt (FRA)

--3----	06.00	10.50	XR9131	B738	09.10. - 20.11.	②
-----7	06.00	10.50	XR9171	B738	20.10. - 01.12.	②
-----7	06.00	10.50	XR9171	B738	09.02. - 22.03.	②

→ Hamburg (HAM)

1-----	06.00	11.05	XR9113	B738	14.10. - 09.12.	②
1-----	06.00	11.05	XR9113	B738	17.02. - 30.03.	②

→ Hanover (HAJ)

--3----	06.00	11.15	XR9131	B738	05.02. - 18.03.	②
---------	-------	-------	--------	------	-----------------	---

→ Leipzig (LEJ)

--3----	06.00	11.05	XR9133	B738	12.02. - 25.03.	②
-----6-	07.15	13.20	XR9163	B738	19.10. - 14.12.	②

→ Munich (MUC)

1-----	06.00	10.45	XR9111	B738	21.10. - 02.12.	②
1-----	06.00	10.45	XR9111	B738	10.02. - 23.03.	②
----5--	06.00	10.45	XR9153	B738	14.02. - 27.03.	②

→ Stuttgart (STR)

-2-----	06.00	10.35	XR9123	B738	15.10. - 10.12.	②
-2-----	06.00	10.35	XR9123	B738	18.02. - 17.03.	②

All times local
 + = Arrival next day
 ++ = Arrival 2nd day

Schedule subject to change without prior notice

- = Nonstop
 ② = Biweekly

Days of Operation	Dept.	Arr.	Flight No.	Aircraft Type	Operation Period	Via/ Stop
-------------------	-------	------	------------	---------------	------------------	-----------

FROM MARRAKECH (RAK)

→ Vienna (VIE)

-2-----	06.00	11.25	XR9121	B738	08.10. - 03.12.	②
-2-----	06.00	11.25	XR9121	B738	11.02. - 24.03.	②

FROM MARSEILLE (MRS)

→ Istanbul Sabiha Gökçen (SAW)

1234567	13.20	17.25	PC1126	A320/B738	27.10. - 28.03.	-
---------	-------	-------	--------	-----------	-----------------	---

FROM MASHHAD (MHD)

→ Kuwait (KWI)

1234-67	14.45	16.00	J90152	A320	27.10. - 28.03.	-
---------	-------	-------	--------	------	-----------------	---

FROM MEDINA (MED)

→ Ad Dammam (DMM)

1234567	16.10	17.55	XY0736	A321	01.10. - 31.03.	-
----5-7	01.45	03.30	XY0704	A321	04.10. - 29.03.	-

→ Jeddah (JED)

1--4-6-	08.30	09.30	XY0612	A320	03.10. - 30.03.	-
--3---7	19.00	20.00	XY0418	A320	02.10. - 29.03.	-

→ Khartoum (KRT)

--3---7	13.15	14.15	XY0681	A320	02.10. - 29.03.	-
---------	-------	-------	--------	------	-----------------	---

→ Riyadh (RUH)

1234567	10.20	11.50	XY0094	A320	01.10. - 31.03.	-
1234567	17.35	19.05	XY0098	A320	01.10. - 31.03.	-

Days of Operation	Dept.	Arr.	Flight No.	Aircraft Type	Operation Period	Via/ Stop
-------------------	-------	------	------------	---------------	------------------	-----------

FROM MILAN-MALPENSA (MXP)

→ Boa Vista (BVC)

--3----	06.30	10.40	N03812	B737	06.11. – 25.03.	-
---------	-------	-------	--------	------	-----------------	---

→ Cancun (CUN)

---4---	10.00	19.15	N00438	B787/767	07.11. – 12.12.	FCO
---4---	08.30	16.15	N00438	B787/767	19.12. – 26.03.	VRA
-----7	12.30	21.40	N00730	B787/767	22.12. – 29.03.	FCO

→ Fuerteventura (FUE)

1-----	07.00	10.00	N01482	B737	23.12. – 17.02.	-
1-----	13.00	16.00	N01652	B737	02.12. – 16.12.	-
1-----	18.30	21.30	N01482	B737	24.02. – 30.03.	-

→ Havana (HAV)

1-----	11.00	16.00	N00130	B787/767	04.11. – 30.03.	-
-----7	11.00	18.30	N00780	B787/767	03.11. – 29.03.	CYO

→ Holguin (HOG)

1-----	11.00	19.10	N00130	B787/767	04.11. – 30.03.	HAV
--------	-------	-------	--------	----------	-----------------	-----

→ La Romana (LRM)

---5---	15.00	19.50	N00504	B787/767	20.12. – 27.03.	-
-----6-	11.00	15.50	N00630	B787/767	02.11. – 28.03.	-

→ Las Palmas (LPA)

1-----	07.00	11.30	N01482	B737	23.12. – 17.02.	FUE
1-----	07.00	11.45	N01652	B737	24.02. – 30.03.	TFS
1-----	12.30	17.30	N01652	B737	04.11. – 25.11.	TFS
1-----	13.00	16.00	N01652	B737	02.12. – 16.12.	FUE

→ Longdongbao (KWE)

--3----	03.55	22.00	N00972	B787/767	13.11. – 25.12.	-
---------	-------	-------	--------	----------	-----------------	---

→ Male (MLE)

1-----	20.00	09.20+	N00110	B787/767	04.11. – 30.03.	-
--------	-------	--------	--------	----------	-----------------	---

→ Mombasa (MBA)

-2-----	20.00	08.50+	N00292	B767/787	05.11. – 10.12.	ZNZ
---3---	23.00	08.55+	N00320	B767/787	25.12. – 25.03.	-
---3---	20.00	09.00+	N00392	B767/787	06.11. – 25.03.	ZNZ
---4---	20.00	05.55+	N00404	B767/787	07.11. – 05.12.	-
---4---	20.00	05.55+	N00404	B767/787	07.11. – 05.12.	-
---4---	20.00	09.00+	N00450	B767/787	19.12. – 26.03.	ZNZ

→ Montego Bay (MBJ)

-----6-	10.00	17.45	N00622	B787/767	21.12. – 28.03.	VRA
-----6-	11.00	19.15	N00670	B787/767	02.11. – 14.12.	VRA

→ Nanjing (NKG)

1-----	15.15	09.50+	N00976	B787/767	04.11. – 30.12.	-
---4---	15.15	09.50+	N00946	B787/767	07.11. – 26.12.	-

Days of Operation	Dept.	Arr.	Flight No.	Aircraft Type	Operation Period	Via/ Stop
-------------------	-------	------	------------	---------------	------------------	-----------

FROM MILAN-MALPENSA (MXP)

→ Nosy Be (NOS)

-2-----	21.00	08.30+	N00246	B767/787	05.11. – 03.12.	-
---------	-------	--------	--------	----------	-----------------	---

→ Phu Quoc (PQC)

-2-----	18.00	10.45+	N00279	B767/787	23.12. – 31.03.	-
---------	-------	--------	--------	----------	-----------------	---

→ Pointe-à-Pitre (PTP)

---5---	13.00	17.15	N00530	B767/787	20.12. – 20.03.	-
---------	-------	-------	--------	----------	-----------------	---

→ Sal (SID)

--3----	06.30	12.00	N03812	B737	06.11. – 25.03.	BVC
---------	-------	-------	--------	------	-----------------	-----

→ Salalah (SLL)

-----7	12.25	00.10+	N00738	B767/787	03.11. – 15.12.	VRN
-----7	14.30	00.10+	N00738	B767/787	22.12. – 29.03.	-

→ Tenerife-South (TFS)

1-----	07.00	10.20	N01652	B737	24.02. – 30.03.	-
1-----	12.30	16.05	N01652	B737	04.11. – 25.11.	-
1-----	18.15	21.35	N01652	B737	23.12. – 17.02.	-

→ Varadero (VRA)

---4---	08.30	13.30	N00438	B787/767	19.12. – 26.03.	-
-----6-	10.00	15.00	N00622	B787/767	21.12. – 28.03.	-
-----6-	11.00	16.00	N00670	B787/767	02.11. – 14.12.	-

→ Yangon (RGN)

-2-----	18.00	15.00+	N00279	B767/787	23.12. – 31.03.	PQC
---------	-------	--------	--------	----------	-----------------	-----

→ Zanzibar (ZNZ)

1-----	20.00	06.10+	N00192	B767/787	23.12. – 30.03.	-
-2-----	20.00	06.00+	N00292	B767/787	05.11. – 10.12.	-
---3---	20.00	06.10+	N00392	B767/787	06.11. – 25.03.	-
---4---	20.00	06.10+	N00450	B767/787	19.12. – 26.03.	-

FROM MINERALNYE (MRV)

→ Istanbul Sabiha Gökçen (SAW)

1234567	03.40	05.05	PC0391	A320/B738	27.10. – 28.03.	-
---------	-------	-------	--------	-----------	-----------------	---

All times local
 + = Arrival next day
 ++ = Arrival 2nd day

Schedule subject to change without prior notice

- = Nonstop
 ② = Biweekly

Days of Operation	Dept.	Arr.	Flight No.	Aircraft Type	Operation Period	Via/ Stop
-------------------	-------	------	------------	---------------	------------------	-----------

FROM MOMBASA (MBA)

→ Milan–Malpensa (MXP)

--3----	10.50	16.55	N00292	B767/787	06.11.–11.12.	–
---4---	10.55	17.00	N00321	B767/787	26.12.–26.03.	–
---4---	11.00	17.05	N00392	B767/787	07.11.–26.03.	–
---5---	07.55	14.00	N00405	B767/787	08.11.–13.12.	–
---5---	11.00	07.05	N00450	B767/787	20.12.–27.03.	–

→ Rome–Fiumicino (FCO)

---4---	09.55	16.00	N00385	B767/787	26.12.–26.03.	–
---------	-------	-------	--------	----------	---------------	---

→ Verona (VRN)

--3----	12.00	17.35	N00252	B767/787	05.11.–18.12.	–
---4---	09.55	18.35	N00385	B767/787	26.12.–26.03.	FCO

FROM MONTEGO BAY (MBJ)

→ Milan–Malpensa (MXP)

-----6-	19.45	11.15+	N00622	B787/767	21.12.–28.03.	–
-----6-	21.15	12.45+	N00670	B787/767	02.11.–14.12.	–

→ Verona (VRN)

---5---	15.40	10.00+	N00522	B767/787	22.12.–27.04.	LRM
---------	-------	--------	--------	----------	---------------	-----

FROM MOSCOW (DME)

→ Istanbul Sabiha Gökçen (SAW)

1234567	15.25	17.35	PC0387	A320/B738	27.10.–28.03.	–
---------	-------	-------	--------	-----------	---------------	---

FROM MUMBAI (BOM)

→ Kuwait (KWI)

1234567	04.00	06.00	J90402	A320	27.10.–28.03.	–
---------	-------	-------	--------	------	---------------	---

Days of Operation	Dept.	Arr.	Flight No.	Aircraft Type	Operation Period	Via/ Stop
-------------------	-------	------	------------	---------------	------------------	-----------

FROM MUNICH (MUC)

→ Antalya (AYT)

-2-----	07.20	11.20	XC9202	B738	05.11.–24.03.	–
---4---	09.30	13.30	XC4304	B737/B738	07.11.–26.03.	–
---5---	07.50	11.50	XC9152	B738	04.10.–25.10.	–
-----6-	09.30	13.30	XC6304	B737/B738	02.11.–28.03.	–
-----6-	10.30	14.30	XC9163	B738	05.10.–26.10.	–
-----7	18.30	22.30	XC9176	B738/A320	06.10.–27.10.	–

→ Istanbul Sabiha Gökçen (SAW)

1234567	11.15	14.50	PC1020	A320/B738	27.10.–28.03.	–
-2-4-6-	14.50	18.25	PC1022	A320/B738	29.10.–28.03.	–

→ Izmir (ADB)

1----6-	10.00	13.40	XC3502	B738	02.11.–28.03.	–
1----6-	11.00	14.40	XC3502	B738	05.10.–28.10.	–

→ Marrakech (RAK)

1-----	12.10	14.45	XR9112	B738	07.10.–02.12.	②
1-----	12.10	14.45	XR9112	B738	10.02.–23.03.	②

FROM MUNSTER (FMO)

→ Antalya (AYT)

1-----	09.50	14.25	XC1104	B738	07.10.–28.10.	–
-2---6-	02.00	06.30	XC9037	B738	02.11.–28.03.	–
-3----	18.15	22.45	XC9037	B738	02.10.–30.10.	–
---5---	11.50	16.25	XC5104	B738/A320	04.10.–25.10.	–

→ Fuerteventura (FUE)

1-----	13.15	16.55	XR9017	B738	07.10.–28.10.	–
---4--7	09.00	12.45	XR9017	B738	03.11.–29.03.	–

→ Heraklion (HER)

1-----	04.30	08.50	XR9015	B738	07.10.–28.10.	–
---4---	04.30	08.50	XR9045	B738	03.10.–31.10.	–
---7-	06.15	10.35	XR9075	B738	06.10.–27.10.	–

→ Las Palmas (LPA)

--3----	06.50	10.25	XR9035	B738	02.10.–30.10.	–
---3---	12.00	15.50	XR9035	B738	06.11.–25.03.	–
---6-	16.20	20.10	XR9035	B738	02.11.–28.03.	–

→ Rhodes (RHO)

-2-----	03.00	07.30	XR9025	B738	01.10.–29.10.	–
---5---	04.30	09.00	XR9055	B738	04.10.–25.10.	–

→ Tenerife–South (TFS)

---5---	08.30	12.25	XR9057	B738	01.11.–27.03.	–
---5---	13.45	17.45	XR9057	B738	04.10.–25.10.	–

All times local
 + = Arrival next day
 ++ = Arrival 2nd day

Schedule subject to change without prior notice

– = Nonstop
 ② = Biweekly

Days of Operation	Dept.	Arr.	Flight No.	Aircraft Type	Operation Period	Via/ Stop
-------------------	-------	------	------------	---------------	------------------	-----------

FROM MUS (MSR)

→ Istanbul Sabiha Gökçen (SAW)

1234567	10.10	12.15	PC2491	A320/B738	27.10. – 28.03.	–
---4---	16.00	18.05	PC2495	A320/B738	31.10. – 26.03.	–
-----6-	13.00	15.05	PC2495	A320/B738	02.11. – 28.03.	–

FROM MUSCAT (MCT)

→ Istanbul Sabiha Gökçen (SAW)

1-3-5-7	04.20	07.55	PC0871	A320/B738	27.10. – 28.03.	–
---------	-------	-------	--------	-----------	-----------------	---

FROM NAJAF (NJF)

→ Kuwait (KWI)

-23--6-	14.10	15.30	J90142	A320	29.10. – 28.03.	–
---------	-------	-------	--------	------	-----------------	---

FROM NANJING (NKG)

→ Milan-Malpensa (MXP)

-2-----	12.00	16.45	N00977	B767/787	05.11. – 31.12.	–
---5---	12.00	16.45	N00947	B767/787	01.11. – 27.12.	–

FROM NEW DELHI (DEL)

→ Kuwait (KWI)

-234-6-	08.00	10.00	J90410	A320	27.10. – 28.03.	–
---------	-------	-------	--------	------	-----------------	---

→ Riyadh (RUH)

1234567	03.50	07.05	XY0330	A320	01.10. – 31.03.	–
---------	-------	-------	--------	------	-----------------	---

Days of Operation	Dept.	Arr.	Flight No.	Aircraft Type	Operation Period	Via/ Stop
-------------------	-------	------	------------	---------------	------------------	-----------

FROM NICOSIA (ECN)

→ Adana (ADA)

1234567	06.15	10.00	PC1853	A320/B738	27.10. – 28.03.	–
1234567	21.35	22.20	PC1851	A320/B738	27.10. – 28.03.	–
1-34567	15.15	16.00	PC1855	A320/B738	27.10. – 28.03.	–

→ Ankara (ESB)

1234567	07.00	08.10	PC1880	A320/B738	27.10. – 28.03.	–
1-3-567	21.05	22.15	PC1882	A320/B738	27.10. – 28.03.	–
-2--5--	17.15	18.25	PC1884	A320/B738	29.10. – 27.03.	–
--3---7	15.15	16.25	PC1884	A320/B738	27.10. – 25.03.	–
---4---	11.00	12.10	PC1884	A320/B738	31.10. – 26.03.	–

→ Antalya (AYT)

1234567	21.45	22.35	PC1871	A320/B738	27.10. – 28.03.	–
123--67	12.10	13.00	PC1873	A320/B738	27.10. – 28.03.	–
---45--	18.00	18.50	PC1873	A320/B738	31.10. – 27.03.	–

→ Gaziantep (GZT)

1--4567	11.30	12.30	PC1890	A320/B738	27.10. – 28.03.	–
1---5---	16.40	17.40	PC1892	A320/B738	28.10. – 27.03.	–
-23-----	14.25	15.25	PC1890	A320/B738	29.10. – 25.03.	–
---4---	09.45	10.45	PC1892	A320/B738	31.10. – 26.03.	–
-----7	18.50	19.50	PC1892	A320/B738	27.10. – 22.03.	–

→ Hatay (HTY)

1234567	10.45	11.40	PC1902	A320/B738	27.10. – 28.03.	–
1--456-	16.35	17.30	PC1904	A320/B738	28.10. – 28.03.	–

→ Istanbul Sabiha Gökçen (SAW)

123-567	18.40	20.10	PC1931	A320/B738	27.10. – 28.03.	–
123----	07.55	09.25	PC1931	A320/B738	28.10. – 25.03.	–
12---6-	15.25	16.55	PC1919	A320/B738	28.10. – 28.03.	–
1-34567	05.10	06.40	PC1911	A320/B738	27.10. – 28.03.	–
1-34567	20.00	21.30	PC1923	A320/B738	27.10. – 28.03.	–
1-34-67	15.45	17.15	PC1921	A320/B738	27.10. – 28.03.	–
--345-7	11.30	13.00	PC1919	A320/B738	27.10. – 27.03.	–
---45-7	11.00	12.30	PC1931	A320/B738	27.10. – 27.03.	–
---4---	16.50	18.20	PC1897	A320/B738	31.10. – 26.03.	–
----5--	20.40	22.10	PC1897	A320/B738	01.11. – 27.03.	–
-----7	21.55	23.25	PC1897	A320/B738	27.10. – 22.03.	–

→ Izmir (ADB)

1234567	07.15	08.40	PC1861	A320/B738	27.10. – 30.11.	–
1234567	07.15	08.40	PC1861	A320/B738	02.02. – 28.03.	–
1234567	21.10	22.35	PC1863	A320/B738	27.10. – 28.03.	–
123456-	07.15	08.40	PC1861	A320/B738	02.12. – 01.02.	–
----5-7	11.40	13.05	PC1865	A320/B738	27.10. – 27.03.	–
-----7	17.00	18.25	PC1867	A320/B738	27.10. – 22.03.	–

All times local
 + = Arrival next day
 ++ = Arrival 2nd day

Schedule subject to change without prior notice

- = Nonstop
 ② = Biweekly

Days of Operation	Dept.	Arr.	Flight No.	Aircraft Type	Operation Period	Via/ Stop
-------------------	-------	------	------------	---------------	------------------	-----------

FROM NUREMBERG (NUE)

→ Antalya (AYT)

1-----	03.05	07.10	XC1906	B738	07.10. - 28.10.	-
1-----	06.00	10.05	XC2112	B738	04.11. - 30.03.	-
-2-----	02.55	07.00	XC2906	B738/A320	15.10. - 29.10.	-
-3-----	02.25	06.25	XC8026	A320	02.10. - 23.10.	-
-3-----	02.55	07.00	XC3906	B738/A320	09.10. - 30.10.	-
---4---	01.45	05.50	XC4906	A320	03.10. - 31.10.	-
---4---	17.30	21.35	XC2112	B738	07.11. - 26.03.	-
---5---	02.40	06.45	XC5906	A320	04.10. - 25.10.	-
---6---	02.30	06.35	XC6906	A320	05.10. - 26.10.	-
---6---	03.05	07.10	XC8054	A320	05.10. - 26.10.	-
---6---	04.00	08.00	XC2112	B738	02.11. - 28.03.	-
---7---	02.10	06.15	XC7906	A320	06.10. - 27.10.	-

→ Fuerteventura (FUE)

----5---	06.00	09.40	XR2114	B738	01.11. - 27.03.	-
-----7	06.00	09.40	XR2114	B738	06.10. - 29.03.	-

→ Heraklion (HER)

1---5---	05.00	08.55	XR2100	B738	04.10. - 28.10.	-
----5---	02.45	06.40	XR0558	B738	04.10. - 25.10.	-
----6---	02.35	06.30	XR0656	B738	05.10. - 26.10.	-

→ Las Palmas (LPA)

--3----	11.55	15.40	XR2106	B738	02.10. - 25.03.	-
-----6-	16.15	20.00	XR2106	B738	05.10. - 28.03.	-

→ Rhodes (RHO)

-2-----	05.00	09.00	XR2102	B738	01.10. - 29.10.	-
--3----	18.20	22.20	XR9234	A320	02.10. - 23.10.	-
-----7	17.00	21.00	XR2102	B738	06.10. - 27.10.	-

→ Tenerife-South (TFS)

----4---	06.00	09.55	XR2110	B738	03.10. - 26.03.	-
-----6-	17.15	21.10	XR2110	B738	05.10. - 26.10.	-
-----7	16.55	20.50	XR2110	B738	03.11. - 22.03.	-

FROM ORDU (OGU)

→ Istanbul Sabiha Gökçen (SAW)

1234567	09.00	10.35	PC2861	A320/B738	27.10. - 05.11.	-
1234567	09.00	10.35	PC2861	A320/B738	25.12. - 28.03.	-
1234567	21.05	22.40	PC2863	A320/B738	27.10. - 28.03.	-
12-4567	09.00	10.35	PC2861	A320/B738	07.11. - 24.12.	-

All times local
 + = Arrival next day
 ++ = Arrival 2nd day

Schedule subject to change without prior notice

- = Nonstop
 Ⓜ = Biweekly

Days of Operation	Dept.	Arr.	Flight No.	Aircraft Type	Operation Period	Via/ Stop
-------------------	-------	------	------------	---------------	------------------	-----------

FROM ORLY (ORY)

→ Istanbul Sabiha Gökçen (SAW)

1234567	11.35	16.10	PC1134	A320/B738	27.10. - 28.03.	-
1234567	16.05	20.35	PC1136	A320/B738	27.10. - 28.03.	-

FROM OSLO (OSL)

→ Istanbul Sabiha Gökçen (SAW)

1---4567	13.20	18.10	PC1274	A320/B738	27.10. - 28.03.	-
----------	-------	-------	--------	-----------	-----------------	---

FROM PALMA DE MALLORCA (PMI)

→ Cologne (CGN)

-2---5---	15.30	17.55	XR1023	B738	01.10. - 29.10.	-
-----------	-------	-------	--------	------	-----------------	---

FROM PHU QUOC (PQC)

→ Milan-Malpensa (MXP)

--3-----	12.45	21.20	NO0279	B767/787	24.12. - 01.04.	RGN
----------	-------	-------	--------	----------	-----------------	-----

FROM POINTE-À-PITRE (PTP)

→ Milan-Malpensa (MXP)

-----5---	19.15	08.45+	NO0531	B767/787	20.12. - 20.03.	-
-----------	-------	--------	--------	----------	-----------------	---

FROM PRAGUE (PRG)

→ Istanbul Sabiha Gökçen (SAW)

1234567	14.00	17.35	PC0302	A320/B738	27.10. - 28.03.	-
---------	-------	-------	--------	-----------	-----------------	---

FROM PRISTINA (PRN)

→ Istanbul Sabiha Gökçen (SAW)

1234567	03.05	05.40	PC0342	A320/B738	27.10. - 28.03.	-
---------	-------	-------	--------	-----------	-----------------	---

FROM PUNTA CANA (PUJ)

→ Madrid (MAD)

1-----	21.15	10.25+	E90802	A333	16.12. - 30.03.	-
-2-----	21.15	10.25+	E90802	A350	05.11. - 10.12.	-
-2-----	21.15	10.25+	E90802	A350	07.04. - 28.04.	-
-----6-	21.15	10.25+	E90802	A350	02.11. - 25.04.	-

Days of Operation	Dept.	Arr.	Flight No.	Aircraft Type	Operation Period	Via/ Stop
-------------------	-------	------	------------	---------------	------------------	-----------

FROM QAISUMAH (AQI)

→ Ad Dammam (DMM)

1-3-5--	14.40	15.45	XY0759	A321	02.10. - 30.03.	-
---------	-------	-------	--------	------	-----------------	---

FROM RAS AL KHAIMAH (RKT)

→ Istanbul Sabiha Gökçen (SAW)

---4--7	04.05	06.55	PC0531	A320/B738	31.10. - 26.03.	-
---------	-------	-------	--------	-----------	-----------------	---

FROM RHODES (RHO)

→ Amsterdam (AMS)

-----6-	12.40	15.35	CD0614	B738	05.10. - 26.10.	-
---------	-------	-------	--------	------	-----------------	---

→ Cologne (CGN)

-2--5--	08.50	11.30	XR1021	B738	01.10. - 29.10.	-
---------	-------	-------	--------	------	-----------------	---

→ Dusseldorf (DUS)

1-----	17.00	19.45	XR9213	B738	14.10. - 28.10.	-
--------	-------	-------	--------	------	-----------------	---

→ Hanover (HAJ)

-2-----	16.00	18.30	XR9221	B738	01.10. - 22.10.	-
---------	-------	-------	--------	------	-----------------	---

→ Leipzig (LEJ)

--3-----	07.00	09.10	XR9231	B738	02.10. - 23.10.	-
----------	-------	-------	--------	------	-----------------	---

-----5--	06.45	09.00	XR9251	B738	11.10. - 25.10.	-
----------	-------	-------	--------	------	-----------------	---

→ Munster (FMO)

-2-----	08.30	11.15	XR9026	B738	01.10. - 29.10.	-
---------	-------	-------	--------	------	-----------------	---

-----5--	10.00	12.45	XR9056	B738	04.10. - 25.10.	-
----------	-------	-------	--------	------	-----------------	---

→ Nuremberg (NUE)

-2-----	10.00	12.20	XR2103	B738	01.10. - 29.10.	-
---------	-------	-------	--------	------	-----------------	---

--3-----	15.10	17.20	XR9233	B738	02.10. - 23.10.	-
----------	-------	-------	--------	------	-----------------	---

-----7	22.00	00.20+	XR2103	B738	06.10. - 27.10.	-
--------	-------	--------	--------	------	-----------------	---

Days of Operation	Dept.	Arr.	Flight No.	Aircraft Type	Operation Period	Via/ Stop
-------------------	-------	------	------------	---------------	------------------	-----------

FROM RIYADH (RUH)

→ Abha (AHB)

1234567	03.15	04.55	XY0083	A320	01.10. - 31.03.	-
---------	-------	-------	--------	------	-----------------	---

1234567	06.45	08.25	XY0081	A320	01.10. - 31.03.	-
---------	-------	-------	--------	------	-----------------	---

1234567	19.55	21.35	XY0089	A320	01.10. - 31.03.	-
---------	-------	-------	--------	------	-----------------	---

12--567	12.35	14.15	XY0085	A320	01.10. - 31.03.	-
---------	-------	-------	--------	------	-----------------	---

→ Ad Dammam (DMM)

1234567	21.40	22.45	XY0078	A320	01.10. - 31.03.	-
---------	-------	-------	--------	------	-----------------	---

1234-67	08.45	09.50	XY0068	A320	01.10. - 31.03.	-
---------	-------	-------	--------	------	-----------------	---

12-45-7	15.30	16.35	XY0072	A320	01.10. - 31.03.	-
---------	-------	-------	--------	------	-----------------	---

1-3-5-7	18.35	19.40	XY0074	A320	02.10. - 30.03.	-
---------	-------	-------	--------	------	-----------------	---

-2-4-6-	17.30	18.35	XY0074	A320	01.10. - 31.03.	-
---------	-------	-------	--------	------	-----------------	---

--34-6-	13.30	14.35	XY0070	A320	02.10. - 28.03.	-
---------	-------	-------	--------	------	-----------------	---

→ Amman (AMM)

1234567	19.40	21.55	XY0253	A320	01.10. - 31.03.	-
---------	-------	-------	--------	------	-----------------	---

-2-4---	07.20	09.35	XY0249	A320	01.10. - 31.03.	-
---------	-------	-------	--------	------	-----------------	---

→ Beirut (BEY)

--34-67	18.10	21.45	XY0301	A320	02.10. - 29.03.	-
---------	-------	-------	--------	------	-----------------	---

→ Cairo (CAI)

1234567	08.50	10.40	XY0263	A320	01.10. - 31.10.	-
---------	-------	-------	--------	------	-----------------	---

1234567	18.50	20.40	XY0265	A320	01.10. - 31.10.	-
---------	-------	-------	--------	------	-----------------	---

123-5-7	12.15	14.05	XY0267	A320	01.10. - 31.10.	-
---------	-------	-------	--------	------	-----------------	---

→ Dubai (DXB)

1234567	07.40	10.35	XY0201	A320	01.10. - 31.03.	-
---------	-------	-------	--------	------	-----------------	---

1234567	16.00	18.55	XY0207	A320	01.10. - 31.03.	-
---------	-------	-------	--------	------	-----------------	---

1234567	17.50	20.45	XY0209	A320	01.10. - 31.03.	-
---------	-------	-------	--------	------	-----------------	---

1-34567	11.50	14.45	XY0205	A320	01.10. - 30.03.	-
---------	-------	-------	--------	------	-----------------	---

-2-----	09.45	12.40	XY0205	A320	01.10. - 31.03.	-
---------	-------	-------	--------	------	-----------------	---

---4---	16.05	18.55	XY0211	A320	03.10. - 26.03.	-
---------	-------	-------	--------	------	-----------------	---

-----6--	15.05	18.00	XY0203	A320	05.10. - 28.03.	-
----------	-------	-------	--------	------	-----------------	---

→ Ha'il (HAS)

1234567	05.00	06.15	XY0133	A320	01.10. - 31.03.	-
---------	-------	-------	--------	------	-----------------	---

→ Hatay (HTY)

1-3-5-7	09.10	12.50	XY0261	A320	02.10. - 30.03.	-
---------	-------	-------	--------	------	-----------------	---

→ Hyderabad (HYD)

-2-45-7	00.50	08.00	XY0325	A320	01.10. - 31.03.	-
---------	-------	-------	--------	------	-----------------	---

→ Islamabad (ISB)

1-3-5--	21.40	04.00+	XY0315	A320	02.10. - 30.03.	-
---------	-------	--------	--------	------	-----------------	---

→ Istanbul Sabiha Gökçen (SAW)

1234567	03.40	07.05	PC0691	A320/B738	27.10. - 28.03.	-
---------	-------	-------	--------	-----------	-----------------	---

1-3-5-7	08.35	13.00	XY0255	A320	02.10. - 30.03.	-
---------	-------	-------	--------	------	-----------------	---

-2-4-6	16.30	20.55	XY0255	A320	01.10. - 31.10.	-
--------	-------	-------	--------	------	-----------------	---

All times local
 + = Arrival next day
 ++ = Arrival 2nd day

Schedule subject to change without prior notice

- = Nonstop
 ② = Biweekly

Days of Operation	Dept.	Arr.	Flight No.	Aircraft Type	Operation Period	Via/ Stop
-------------------	-------	------	------------	---------------	------------------	-----------

FROM RIYADH (RUH)

→ Jeddah (JED)

1234567	00.30	02.15	XY0061	A320	01.10. – 31.03.	–
1234567	06.30	08.15	XY0005	A320	01.10. – 30.03.	–
1234567	08.30	10.15	XY0013	A320	01.10. – 30.03.	–
1234567	11.30	13.15	XY0035	A320	01.10. – 31.03.	–
1234567	18.30	20.15	XY0041	A320	01.10. – 31.03.	–
1234567	19.30	21.15	XY0045	A320	01.10. – 31.03.	–
1234567	21.00	22.45	XY0031	A320	01.10. – 31.03.	–
1234567	21.30	23.15	XY0053	A320	01.10. – 31.03.	–
1234567	23.30	01.15+	XY0059	A320	01.10. – 31.03.	–
12345–7	16.30	18.15	XY0033	A320	01.10. – 31.10.	–
123–5–7	17.30	19.15	XY0037	A320	01.10. – 31.03.	–
12––5–7	12.30	14.15	XY0023	A320	01.10. – 31.10.	–
––4–6–	09.30	11.15	XY0017	A320	03.10. – 28.03.	–

→ Jizan (GIZ)

1234567	02.55	04.50	XY0113	A320	01.10. – 31.03.	–
1234567	06.50	08.45	XY0105	A320	01.10. – 31.03.	–
1234567	11.50	13.45	XY0107	A320	01.10. – 31.03.	–
1234567	21.50	23.45	XY0115	A320	01.10. – 31.03.	–
123–5–7	16.50	18.45	XY0111	A320	01.10. – 31.03.	–

→ Khartoum (KRT)

1234567	23.20	01.20+	XY0293	A320	01.10. – 31.03.	–
---------	-------	--------	--------	------	-----------------	---

→ Kuwait (KWI)

1234567	14.10	15.30	J90222	A320	27.10. – 28.03.	–
1–34–6–	12.50	14.10	XY0231	A320	01.10. – 30.03.	–

→ Lahore (LHE)

–2–4–6–	21.40	03.55+	XY0317	A320	01.10. – 31.03.	–
---------	-------	--------	--------	------	-----------------	---

→ Medina (MED)

1234567	08.00	09.30	XY0093	A320	01.10. – 31.03.	–
1234567	15.15	16.45	XY0097	A320	01.10. – 31.03.	–

→ New Delhi (DEL)

1234567	20.00	03.00+	XY0329	A320	01.10. – 31.03.	–
---------	-------	--------	--------	------	-----------------	---

→ Tabuk (TUU)

1234567	03.45	05.50	XY0121	A320	01.10. – 31.03.	–
---------	-------	-------	--------	------	-----------------	---

→ Ta'if (TIF)

1234567	08.00	09.35	XY0125	A320	01.10. – 31.03.	–
---------	-------	-------	--------	------	-----------------	---

Days of Operation	Dept.	Arr.	Flight No.	Aircraft Type	Operation Period	Via/ Stop
-------------------	-------	------	------------	---------------	------------------	-----------

FROM ROME–FIUMICINO (FCO)

→ Boa Vista (BVC)

–3––––	08.30	13.05	N03856	B737	06.11. – 25.03.	–
--------	-------	-------	--------	------	-----------------	---

→ Cancun (CUN)

–––4–––	12.45	19.15	N00438	B787/767	07.11. – 12.12.	–
–––––7	15.10	21.40	N00730	B787/767	22.12. – 29.03.	–

→ Fuerteventura (FUE)

1–––––	06.00	11.10	N01294	B737	04.11. – 25.11.	TFS
1–––––	07.00	12.10	N01294	B737	23.12. – 06.11.	TFS

→ Istanbul Sabiha Gökçen (SAW)

1234567	12.50	16.20	PC1224	A320/B738	27.10. – 28.03.	–
––45–7	17.35	21.05	PC1226	A320/B738	27.10. – 27.03.	–

→ La Romana (LRM)

––––6–	14.30	19.40	N00650	B787/767	21.12. – 28.03.	–
--------	-------	-------	--------	----------	-----------------	---

→ Male (MLE)

–––––7	19.30	08.05+	N00710	B767/787	03.11. – 29.03.	–
--------	-------	--------	--------	----------	-----------------	---

→ Mombasa (MBA)

–3––––	22.30	07.55+	N00384	B767/787	25.12. – 25.03.	–
--------	-------	--------	--------	----------	-----------------	---

→ Nosy Be (NOS)

1–––––	22.45	09.20+	N00184	B767/787	01.10. – 03.12.	–
--------	-------	--------	--------	----------	-----------------	---

→ Sal (SID)

–3––––	08.30	14.20	N03856	B737	06.11. – 25.03.	BVC
--------	-------	-------	--------	------	-----------------	-----

→ Salalah (SLL)

–––––7	07.30	17.15	N01320	B767/787	22.12. – 29.03.	–
--------	-------	-------	--------	----------	-----------------	---

→ Tenerife–South (TFS)

1–––––	06.00	09.35	N01294	B737	04.11. – 25.11.	–
1–––––	07.00	10.30	N01294	B737	23.12. – 06.11.	–
1–––––	18.50	22.20	N01350	B767	13.01. – 30.03.	–

→ Zanzibar (ZNZ)

1–––––	23.30	09.00+	N00184	B767/787	30.12. – 30.03.	–
--------	-------	--------	--------	----------	-----------------	---

All times local
+ = Arrival next day
++ = Arrival 2nd day

Schedule subject to change without prior notice

– = Nonstop
② = Biweekly

Days of Operation	Dept.	Arr.	Flight No.	Aircraft Type	Operation Period	Via/ Stop
-------------------	-------	------	------------	---------------	------------------	-----------

FROM ROTTERDAM (RTM)

→ Istanbul Sabiha Gökçen (SAW)

1-3-5-7 14.20 18.50 PC1262 A320/B738 27.10. -27.03. -

→ Kayseri (ASR)

-2----- 12.35 17.40 PC1644 A320/B738 29.10. -24.03. -

FROM SALALAH (SLL)

→ Milan-Malpensa (MXP)

1----- 02.10 08.50 N00739 B767/787 04.11. -16.12. VRN

1----- 02.10 06.55 N00739 B767/787 23.12. -30.03. -

→ Rome-Fiumicino (FCO)

-----7 18.55 23.40 N07321 B767/787 22.12. -29.03. -

→ Verona (VRN)

1----- 02.10 06.35 N00739 B767/787 04.11. -16.12. -

-----7 18.55 01.55+ N07321 B767/787 22.12. -29.03. FCO

FROM SAMSUN (SZF)

→ Istanbul Sabiha Gökçen (SAW)

1234567 08.55 10.20 PC2791 A320/B738 27.10. -28.03. -

1234567 16.00 17.25 PC2795 A320/B738 27.10. -28.03. -

1--4567 12.45 14.10 PC2793 A320/B738 27.10. -28.03. -

-234567 06.15 07.40 PC2797 A320/B738 27.10. -28.03. -

→ Izmir (ADB)

--34-67 15.40 17.20 PC3231 A320/B738 27.10. -28.03. -

FROM SANLIURFA (GNY)

→ Istanbul Sabiha Gökçen (SAW)

1234-6- 07.15 09.05 PC2421 A320/B738 28.10. -28.03. -

----5-7 20.10 23.00 PC2423 A320/B738 27.10. -27.03. -

→ Izmir (ADB)

1-3---- 15.20 17.20 PC3051 A320/B738 28.10. -25.03. -

-----6- 11.10 13.10 PC3051 A320/B738 02.11. -28.03. -

Days of Operation	Dept.	Arr.	Flight No.	Aircraft Type	Operation Period	Via/ Stop
-------------------	-------	------	------------	---------------	------------------	-----------

FROM SARAJEVO (SJJ)

→ Istanbul Sabiha Gökçen (SAW)

12-4-67 16.05 18.50 PC0292 A320/B738 27.10. -12.11. -

12-4-67 16.05 18.50 PC0292 A320/B738 19.12. -28.03. -

12---7 16.05 18.50 PC0292 A320/B738 17.11. -17.12. -

----5-- 15.45 18.30 PC0292 A320/B738 01.11. -27.03. -

FROM SHARJAH (SHJ)

→ Istanbul Sabiha Gökçen (SAW)

1234567 04.15 07.20 PC0747 A320/B738 27.10. -28.03. -

FROM SHARM EL SHEIKH (SSH)

→ Istanbul Sabiha Gökçen (SAW)

1234567 03.10 05.55 PC0629 A320/B738 27.10. -28.03. -

FROM SHARURAH (SHW)

→ Abha (AHB)

123-5-7 10.45 12.15 XY0857 A319 01.10. -31.03. -

---4-6- 09.10 10.40 XY0857 A319 03.10. -28.03. -

FROM SINOP (NOP)

→ Istanbul Sabiha Gökçen (SAW)

--3-5-7 20.25 21.40 PC2891 A320/B738 27.10. -27.03. -

FROM SIVAS (SAW)

→ Istanbul Sabiha Gökçen (SAW)

1-3456- 07.20 08.50 PC2751 A320/B738 28.10. -28.03. -

-2-4-67 20.20 21.50 PC2753 A320/B738 27.10. -28.03. -

→ Izmir (ADB)

---4--- 16.25 18.05 PC3201 A320/B738 31.10. -26.03. -

-----6- 19.00 20.40 PC3201 A320/B738 02.11. -28.03. -

FROM SKOPJE (SKP)

→ Istanbul Sabiha Gökçen (SAW)

1----6- 10.10 12.35 PC0352 A320/B738 28.10. -28.03. -

--3-5-- 16.35 19.00 PC0352 A320/B738 30.10. -27.03. -

All times local
 + = Arrival next day
 ++ = Arrival 2nd day

Schedule subject to change without prior notice

- = Nonstop
 ② = Biweekly

Days of Operation	Dept.	Arr.	Flight No.	Aircraft Type	Operation Period	Via/ Stop
-------------------	-------	------	------------	---------------	------------------	-----------

FROM SOHAG (HMB)

→ Kuwait (KWI)

1234567	07.25	10.50	J90716	A320	27.10. – 28.03.	–
1---5-7	21.10	00.35+	J90716	A320	27.10. – 27.03.	–

FROM STOCKHOLM–ARLANDA (ARN)

→ Istanbul Sabiha Gökçen (SAW)

1234567	10.40	15.10	PC1280	A320/B738	27.10. – 28.03.	–
--3--5-7	14.55	19.25	PC1282	A320/B738	27.10. – 27.03.	–

FROM STUTTGART (STR)

→ Ankara (ESB)

----5--	08.55	13.00	PC1694	A320/B738	01.11. – 27.03.	–
---------	-------	-------	--------	-----------	-----------------	---

→ Antalya (AYT)

1-----	09.45	14.00	XC1704	B737/B738	04.11. – 23.03.	–
--3----	09.45	14.00	XC3704	B737/B738	06.11. – 25.03.	–
--3----	17.40	21.50	XC3704	A320	02.10. – 30.10.	–
-----5--	18.40	22.55	XC5704	B737/B738	01.11. – 27.03.	–
-----7	17.50	22.00	XC7704	A320	06.10. – 27.10.	–
-----7	18.40	22.55	XC7704	B737/B738	03.11. – 29.03.	–

→ Istanbul Sabiha Gökçen (SAW)

1234567	12.45	16.30	PC0970	A320/B738	27.10. – 28.03.	–
1234567	16.30	20.15	PC0972	A320/B738	27.10. – 28.03.	–

→ Izmir (ADB)

-2--5--	18.20	22.10	XC3502	B738	01.11. – 27.03.	–
-2--5--	19.10	23.00	XC3508	B738	01.10. – 29.10.	–

→ Kayseri (ASR)

-2-----	11.10	15.40	PC1646	A320/B738	29.10. – 24.03.	–
---------	-------	-------	--------	-----------	-----------------	---

→ Marrakech (RAK)

-2-----	11.50	14.30	XR9124	B738	15.10. – 10.12.	②
-2-----	11.50	14.30	XR9124	B738	18.02. – 17.03.	②

Days of Operation	Dept.	Arr.	Flight No.	Aircraft Type	Operation Period	Via/ Stop
-------------------	-------	------	------------	---------------	------------------	-----------

FROM TABUK (TUU)

→ Jeddah (JED)

1234567	10.05	11.25	XY0448	A320	01.10. – 31.03.	–
1234567	21.15	22.35	XY0450	A320	01.10. – 31.03.	–

→ Riyadh (RUH)

1234567	06.35	08.35	XY0122	A320	01.10. – 31.03.	–
---------	-------	-------	--------	------	-----------------	---

FROM TA'IF (TIF)

→ Ad Dammam (DMM)

---4-6-	21.45	23.35	XY0712	A321	03.10. – 28.03.	–
---------	-------	-------	--------	------	-----------------	---

→ Kuwait (KWI)

1-34-6-	18.00	20.00	XY0381	A320	02.10. – 30.03.	–
---------	-------	-------	--------	------	-----------------	---

→ Riyadh (RUH)

1234567	10.10	11.50	XY0126	A320	01.10. – 31.03.	–
---------	-------	-------	--------	------	-----------------	---

FROM TBILSI (TBS)

→ Istanbul Sabiha Gökçen (SAW)

1234567	03.25	05.55	PC0315	A320/B738	27.10. – 28.03.	–
-2-4---	16.00	18.30	PC0317	A320/B738	29.10. – 26.03.	–
-----6-	14.00	16.30	PC0317	A320/B738	02.11. – 28.03.	–

→ Kuwait (KWI)

--3-5-7	15.00	16.40	J90612	A320	30.10. – 27.03.	–
---------	-------	-------	--------	------	-----------------	---

FROM TEHERAN (IKA)

→ Istanbul Sabiha Gökçen (SAW)

1234567	04.20	06.00	PC0513	A320/B738	27.10. – 28.03.	–
---------	-------	-------	--------	-----------	-----------------	---

All times local
 + = Arrival next day
 ++ = Arrival 2nd day

Schedule subject to change without prior notice

– = Nonstop
 ② = Biweekly

Days of Operation	Dept.	Arr.	Flight No.	Aircraft Type	Operation Period	Via/ Stop
-------------------	-------	------	------------	---------------	------------------	-----------

FROM TEL AVIV (TLV)

→ Antalya (AYT)

1--4--7	07.55	09.25	PC0788	A320/B738	27.10. – 26.03.	–
-2-4--7	14.00	15.30	XC0478	B738	03.10. – 27.10.	–
-2-4--7	19.00	20.35	XC0442	B738	01.10. – 27.10.	–
-2-4--7	23.59	01.30+	XC0448	B738	01.10. – 27.10.	–
-2-----	08.00	09.30	XC0446	B738	05.11. – 24.03.	–
-2-----	13.30	15.00	XC0442	B738	05.11. – 24.03.	–
---4--7	11.00	12.30	XC0442	B738	03.11. – 29.03.	–
---4--7	14.00	15.30	XC0444	B738	03.11. – 29.03.	–

→ Istanbul Sabiha Gökçen (SAW)

1234567	05.30	07.45	PC0786	A320/B738	27.10. – 28.03.	–
1234567	07.20	09.35	PC0780	A320/B738	27.10. – 28.03.	–
1234567	10.10	12.30	PC0796	A320/B738	27.10. – 28.03.	–
123----7	16.00	18.15	PC0784	A320/B738	27.10. – 25.03.	–
---4---	13.10	15.25	PC0784	A320/B738	31.10. – 26.03.	–

→ Thessaloniki (SKG)

-2-----	08.00	10.25	XR2001	B738	01.10. – 22.10.	–
---4---	08.00	10.25	XR4001	B738	03.10. – 24.10.	–
-----7	08.00	10.25	XR6001	B738	06.10. – 20.10.	–

→ Verona (VRN)

1-----	12.40	15.45	N01815	B737	09.12. – 30.03.	–
--------	-------	-------	--------	------	-----------------	---

Days of Operation	Dept.	Arr.	Flight No.	Aircraft Type	Operation Period	Via/ Stop
-------------------	-------	------	------------	---------------	------------------	-----------

FROM TENERIFE–SOUTH (TFS)

→ Amsterdam (AMS)

1-----	04.15	09.40	CD8812	B738	04.11. – 23.03.	–
-2-----	14.15	19.55	CD0218	B738	05.11. – 24.03.	–
----5--	04.15	09.40	CD8812	B738	20.12. – 06.03.	–

→ Cologne (CGN)

----5--	10.45	16.30	XR1047	B738	01.11. – 27.03.	–
-----6-	18.00	23.50	XR1061	B738	05.10. – 26.10.	–
-----7	20.30	02.20+	XR1047	B738	03.11. – 29.03.	–

→ Maastricht (MST)

----5--	14.40	20.10	XR0118	B738	08.11. – 27.03.	–
---------	-------	-------	--------	------	-----------------	---

→ Milan–Malpensa (MXP)

1-----	11.10	17.40	N01652	B737	24.02. – 30.03.	LPA
1-----	16.55	23.15	N01652	B737	04.11. – 25.11.	LPA
1-----	22.25	03.35+	N01653	B737	23.12. – 17.02.	–

→ Munster (FMO)

----5--	13.45	19.30	XR9058	B738	01.11. – 27.03.	–
----5--	18.45	00.40+	XR9058	B738	04.10. – 25.10.	–

→ Nuremberg (NUE)

---4---	10.55	16.35	XR2111	B738	03.10. – 26.03.	–
-----6-	22.00	03.40+	XR2111	B738	05.10. – 26.10.	–
-----7	21.40	03.20+	XR2111	B738	03.11. – 22.03.	–

→ Rome–Fiumicino (FCO)

1-----	10.25	16.55	N01294	B737	04.11. – 25.11.	FUE
1-----	11.20	17.40	N01294	B737	23.12. – 06.11.	FUE
1-----	23.10	06.20+	N01351	B767	13.01. – 30.03.	VRN

→ Verona (VRN)

1-----	23.10	04.20+	N01351	B767	13.01. – 30.03.	–
--------	-------	--------	--------	------	-----------------	---

FROM THESSALONIKI (SKG)

→ Tel Aviv (TLV)

-2-----	11.25	13.40	XR2002	B738	08.10. – 22.10.	–
---4---	11.25	13.40	XR4002	B738	03.10. – 24.10.	–
-----7	11.25	13.40	XR7002	B738	06.10. – 20.10.	–

FROM TIRANA (TIA)

→ Istanbul Sabiha Gökçen (SAW)

1234567	03.25	05.05	PC0282	A320/B738	27.10. – 28.03.	–
---------	-------	-------	--------	-----------	-----------------	---

All times local
 + = Arrival next day
 ++ = Arrival 2nd day

Schedule subject to change without prior notice

– = Nonstop
 ② = Biweekly

Days of Operation	Dept.	Arr.	Flight No.	Aircraft Type	Operation Period	Via/ Stop
-------------------	-------	------	------------	---------------	------------------	-----------

FROM TRABZON (TZX)

→ Adana (ADA)

12-4567	11.30	12.55	PC3707	A320/B738	27.10. - 28.03.	-
--3----	11.30	12.55	PC3707	A320/B738	01.01. - 25.03.	-

→ Antalya (AYT)

1-----	14.40	16.30	PC4553	A320/B738	28.10. - 23.03.	-
-2-4567	20.20	22.10	PC3533	A320/B738	27.10. - 28.03.	-
--3----	13.20	15.10	PC3533	A320/B738	30.10. - 25.03.	-

→ Istanbul Sabiha Gökçen (SAW)

1234567	04.50	06.35	PC2831	A320/B738	27.10. - 28.03.	-
1234567	07.05	08.50	PC2811	A320/B738	27.10. - 28.03.	-
1234567	15.00	16.40	PC2823	A320/B738	27.10. - 28.03.	-
1234567	16.50	18.35	PC2825	A320/B738	27.10. - 28.03.	-
1234567	18.05	20.50	PC2827	A320/B738	27.10. - 28.03.	-
1234567	21.25	23.10	PC2829	A320/B738	27.10. - 28.03.	-
123-567	09.15	11.00	PC2815	A320/B738	27.10. - 28.03.	-
-2-4-5-7	12.50	14.35	PC2821	A320/B738	27.10. - 26.03.	-

→ Izmir (ADB)

-23-56-	07.20	09.25	PC3241	A320/B738	29.10. - 28.03.	-
---------	-------	-------	--------	-----------	-----------------	---

FROM VAN (VAN)

→ Adana (ADA)

1234567	10.35	12.05	PC3641	A320/B738	27.10. - 28.03.	-
---------	-------	-------	--------	-----------	-----------------	---

→ Istanbul Sabiha Gökçen (SAW)

1234567	11.55	14.10	PC2501	A320/B738	27.10. - 28.03.	-
1234567	17.30	19.45	PC2503	A320/B738	27.10. - 28.03.	-
-2-4---	08.30	10.45	PC2505	A320/B738	29.10. - 26.03.	-

FROM VARADERO (VRA)

→ Milan-Malpensa (MXP)

----4---	15.00	10.00+	N00438	B787/767	19.12. - 26.03.	CUN
-----6-	16.30	11.15+	N00622	B787/767	21.12. - 28.03.	MBJ
-----6-	18.00	12.45+	N00670	B787/767	02.11. - 14.12.	MBJ

FROM VENICE (VCE)

→ Istanbul Sabiha Gökçen (SAW)

-2-4--7	13.20	17.00	PC1236	A320/B738	27.10. - 26.03.	-
---------	-------	-------	--------	-----------	-----------------	---

FROM VERONA (VRN)

→ Boa Vista (BVC)

--3----	06.30	13.05	N03856	B737	06.11. - 25.03.	FCO
---------	-------	-------	--------	------	-----------------	-----

→ Fuerteventura (FUE)

1-----	07.00	10.05	N01270	B737	13.01. - 30.03.	-
1-----	13.15	16.20	N01270	B737	04.11. - 25.11.	-
1-----	16.30	19.35	N01270	B737	23.12. - 06.01.	-

→ La Romana (LRM)

----5--	09.00	18.10	N00522	B767/787	01.11. - 27.03.	MBJ
---------	-------	-------	--------	----------	-----------------	-----

→ Las Palmas (LPA)

1-----	07.00	11.55	N01270	B737	13.01. - 30.03.	FUE
--------	-------	-------	--------	------	-----------------	-----

→ Male (MLE)

-----7	16.30	08.05+	N00710	B767/787	03.11. - 29.03.	FCO
--------	-------	--------	--------	----------	-----------------	-----

→ Mombasa (MBA)

-2-----	23.00	10.00+	N00252	B767/787	05.11. - 18.12.	ZNZ
--3----	20.00	07.55+	N00384	B767/787	25.12. - 25.03.	FCO

→ Montego Bay (MBJ)

----5--	09.00	14.10	N00522	B767/787	01.11. - 27.03.	-
---------	-------	-------	--------	----------	-----------------	---

→ Nosy Be (NOS)

1-----	20.15	09.40+	N00184	B767/787	04.11. - 02.12.	FCO
--------	-------	--------	--------	----------	-----------------	-----

→ Sal (SID)

--3----	06.30	14.20	N03856	B737	06.11. - 25.03.	FCO/ BVC
---------	-------	-------	--------	------	-----------------	-------------

→ Salalah (SLL)

-----7	05.10	17.15	N07320	B767/787	22.12. - 29.03.	FCO
-----7	14.35	00.10+	N00738	B767/787	03.11. - 15.12.	-

→ Tel Aviv (TLV)

1-----	07.30	11.50	N01814	B737	09.12. - 30.03.	-
--------	-------	-------	--------	------	-----------------	---

→ Tenerife-South (TFS)

1-----	16.50	22.20	N01350	B767	13.01. - 30.03.	FCO
--------	-------	-------	--------	------	-----------------	-----

→ Zanzibar (ZNZ)

1-----	21.00	09.00+	N00184	B767/787	30.12. - 30.03.	FCO
-2-----	23.00	08.45+	N00252	B767/787	05.11. - 18.12.	-

All times local
+ = Arrival next day
++ = Arrival 2nd day

Schedule subject to change without prior notice

- = Nonstop
② = Biweekly

Days of Operation	Dept.	Arr.	Flight No.	Aircraft Type	Operation Period	Via/ Stop
-------------------	-------	------	------------	---------------	------------------	-----------

FROM VIENNA (VIE)

→ Ankara (ESB)

---5-7 08.15 11.40 PC1675 A320/B738 27.10. – 27.03. –

→ Istanbul Sabiha Gökçen (SAW)

1234567 10.25 13.35 PC0902 A320/B738 27.10. – 28.03. –

1234567 14.50 18.00 PC0904 A320/B738 27.10. – 28.03. –

→ Marrakech (RAK)

-2----- 12.25 15.40 XR9122 B738 08.10. – 03.12. ②

-2----- 12.25 15.40 XR9124 B738 11.02. – 24.03. ②

FROM WARSAW (WAW)

→ Antalya (AYT)

--3----- 10.15 14.25 XC0376 B738 02.10. – 30.10. –

-----6- 09.00 13.00 XC0376 B738 05.10. – 26.10. –

-----6- 09.55 12.55 XC0688 B738 02.11. – 28.03. –

FROM YANBU (YNB)

→ Ad Dammam (DMM)

1234567 16.00 18.00 XY0734 A321 01.10. – 31.03. –

FROM YANGON (RGN)

→ Milan–Malpensa (MXP)

--3----- 15.30 21.20 N00279 B767/787 24.12. – 01.04. –

FROM ZAPORIZHIA (OZH)

→ Istanbul Sabiha Gökçen (SAW)

-2-4--7 14.15 16.25 PC0433 A320/B738 27.10. – 26.03. –

Days of Operation	Dept.	Arr.	Flight No.	Aircraft Type	Operation Period	Via/ Stop
-------------------	-------	------	------------	---------------	------------------	-----------

FROM ZURICH (ZRH)

→ Antalya (AYT)

--3----- 15.50 20.05 XC8034 A320 02.10. – 23.10. –

-----6- 17.30 21.45 XC8034 A320 05.10. – 26.10. –

→ Istanbul Sabiha Gökçen (SAW)

1234567 11.45 15.45 PC0948 A320/B738 27.10. – 28.03. –

1--4-6- 16.15 20.15 PC0950 A320/B738 28.10. – 09.11. –

1--4-6- 16.15 20.15 PC0950 A320/B738 16.12. – 11.01. –

1--4-6- 16.15 20.15 PC0950 A320/B738 10.02. – 28.03. –

All times local
 + = Arrival next day
 ++ = Arrival 2nd day

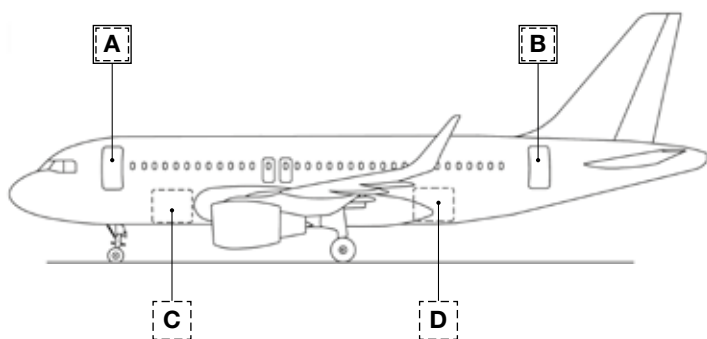
Schedule subject to change without prior notice

- = Nonstop
 ② = Biweekly



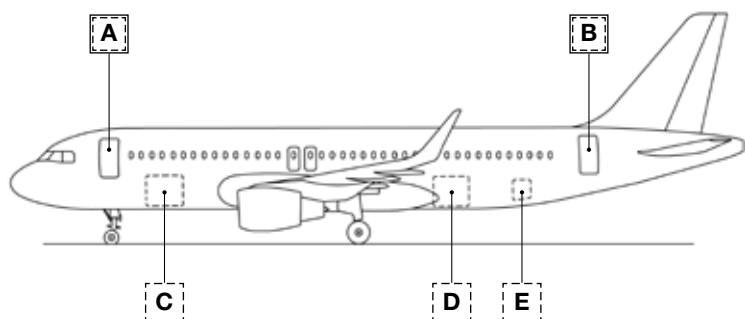
AIRCRAFT INFORMATION

A 319-100



Door Sizes (Width x Height)		
	Metres	Inches
A	0.81 x 1.85	31.9 x 72.8
B	0.81 x 1.85	31.9 x 72.8
C	1.82 x 1.24	71.7 x 48.8
D	1.82 x 1.23	71.7 x 48.4

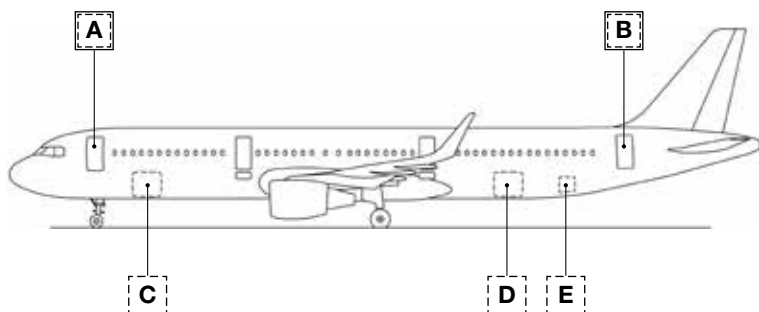
A 320-200



Door Sizes (Width x Height)		
	Metres	Inches
A	0.81 x 1.85	31.9 x 72.8
B	0.81 x 1.85	31.9 x 72.8
C	1.82 x 1.24	71.7 x 48.8
D	1.82 x 1.23	71.7 x 48.4
E	0.95 x 0.77	37.4 x 30.3

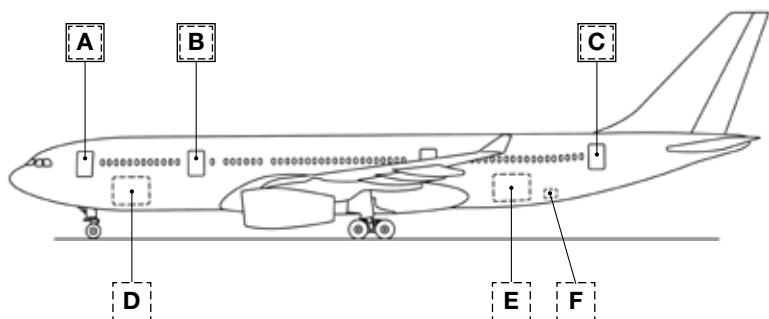
Aircraft of the type A 320-200 are not equipped with a container/pallet loading system. Therefore, bulk loading has to be effected, consequently limiting the individual weight per piece to approx. 150 kilos. For higher weights, pls refer to your Booking Office.

A 321-200



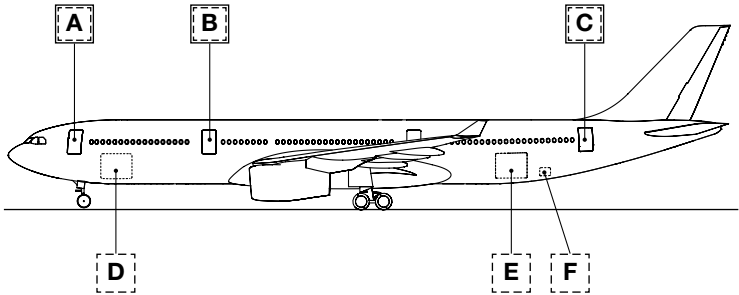
Door Sizes (Width x Height)		
	Metres	Inches
A	0.81 x 1.85	31.9 x 72.8
B	0.81 x 1.85	31.9 x 72.8
C	1.82 x 1.24	71.7 x 48.8
D	1.82 x 1.23	71.7 x 48.4
E	0.95 x 0.77	37.4 x 30.3

Aircraft of the type A321-200 are partly equipped with a container/pallet loading system. For non-containerized aircraft bulk loading has to be effected, consequently limiting the individual weight per piece to approx. 150 kilos. For higher weights, pls refer to your Booking Office.

A 330-200

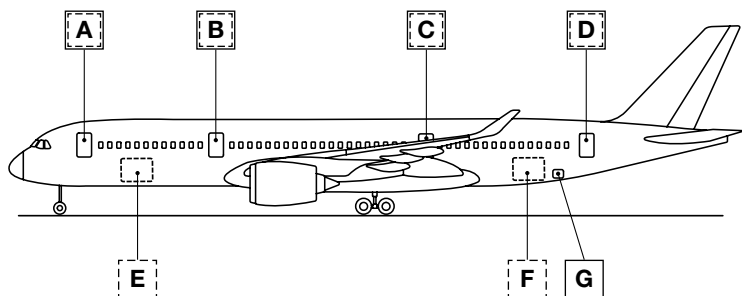
Door Sizes (Width x Height)		
	Metres	Inches
A	1.07 x 1.93	42.1 x 76.0
B	1.07 x 1.93	42.1 x 76.0
C	1.07 x 1.99	42.1 x 78.3
D	2.70 x 1.70	106.3 x 66.9
E	2.78 x 1.68	109.4 x 66.1
F	0.95 x 1.07	37.4 x 42.1

A 330-300



Door Sizes (Width x Height)		
	Metres	Inches
A	1.07 x 1.93	42.1 x 76.0
B	1.07 x 1.93	42.1 x 76.0
C	1.07 x 1.99	42.1 x 78.3
D	2.70 x 1.70	106.3 x 66.9
E	2.78 x 1.68	109.4 x 66.1
F	0.95 x 1.07	37.4 x 42.1

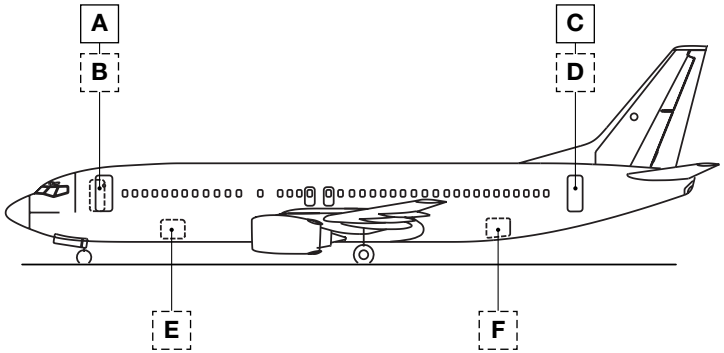
A 350-900



Door Sizes (Width x Height)

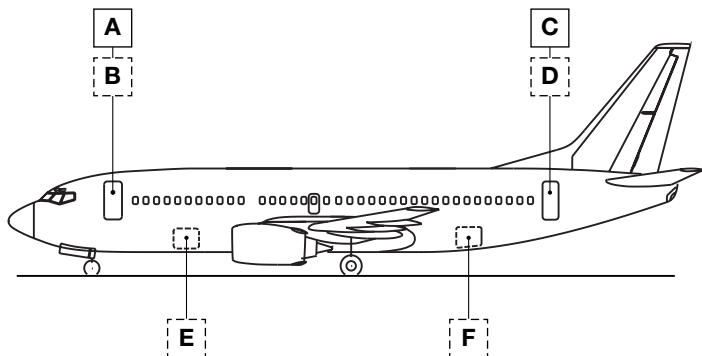
	Metres	Inches
A	1.26 x 2.16	49.6 x 85.0
B	1.26 x 2.16	49.6 x 85.0
C	1.26 x 2.16	49.6 x 85.0
D	1.26 x 2.16	49.6 x 85.0
E	2.91 x 1.76	114.6 x 69.3
F	2.85 x 1.75	112.2 x 68.9
G	0.95 x 0.76	37.4 x 29.9

B 737-400



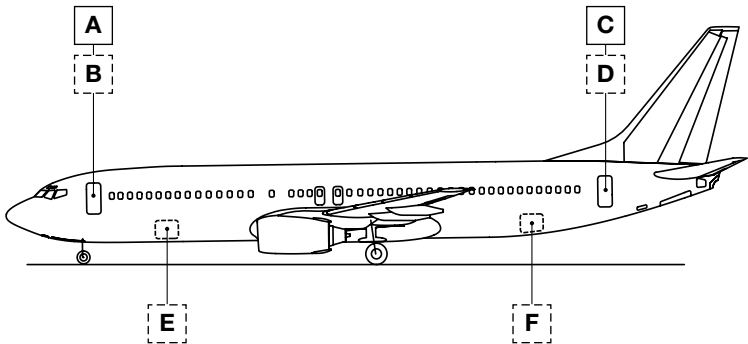
Door Sizes (Width x Height)		
	Metres	Inches
A	0.86 x 1.83	34 x 72
B	0.76 x 1.65	30 x 65
C	0.76 x 1.83	30 x 72
D	0.76 x 1.65	30 x 65
E	1.22 x 0.89	48 x 35
F	1.22 x 0.84	48 x 33

B 737-700



Door Sizes (Width x Height)		
	Metres	Inches
A	0.86 x 1.83	34 x 72
B	0.76 x 1.65	30 x 65
C	0.76 x 1.83	30 x 72
D	0.76 x 1.65	30 x 65
E	1.22 x 0.89	48 x 35
F	1.22 x 0.84	48 x 33

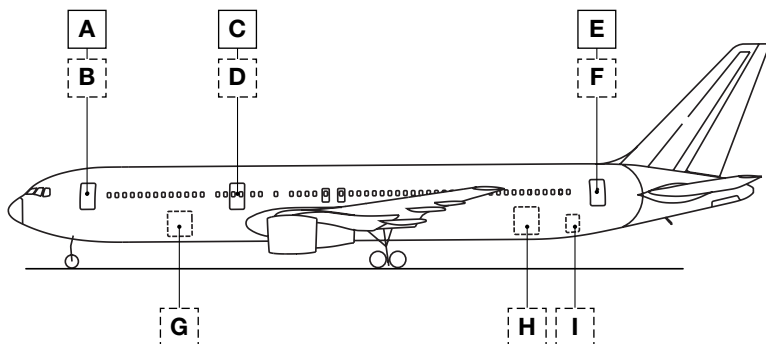
B 737-800



Door Sizes (Width x Height)		
	Metres	Inches
A	0.86 x 1.83	34 x 72
B	0.76 x 1.65	30 x 65
C	0.76 x 1.83	30 x 72
D	0.76 x 1.65	30 x 65
E	1.22 x 0.89	48 x 35
F	1.22 x 0.84	48 x 33

Aircraft of the type B 737-800 are not equipped with a container/pallet loading system. Therefore, bulk loading has to be effected, consequently limiting the individual weight per piece to approx. 150 kilos. For higher weights, pls refer to your Booking Office.

B 767-300 / 300 ER

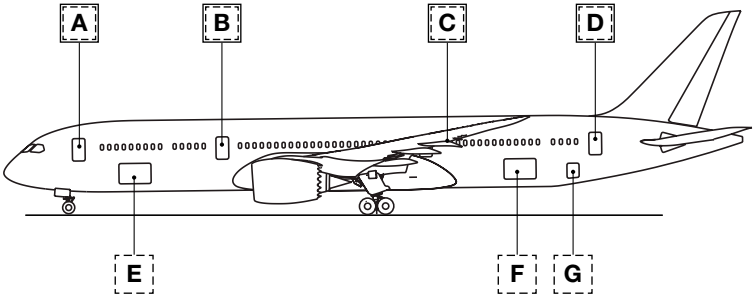


Door Sizes (Width x Height)		
	Metres	Inches
A	1.07 x 1.88	42.1 x 74.0
B	1.07 x 1.83	42.1 x 72.0
C	1.07 x 1.88	42.1 x 74.0
D	1.07 x 1.83	42.1 x 72.0
E	1.07 x 1.88	42.1 x 74.0
F	1.07 x 1.83	42.1 x 72.0
G	1.78 x 1.70	70.1 x 66.9
	3.40 x 1.70	133.9 x 66.9
H	1.78 x 1.70	70.1 x 66.9
I	0.97 x 1.10	38.2 x 43.3

Notes:

Passenger door C / service door D are optional.

A/C are optionally equipped with standard or large forward cargo door G.

B 787-9

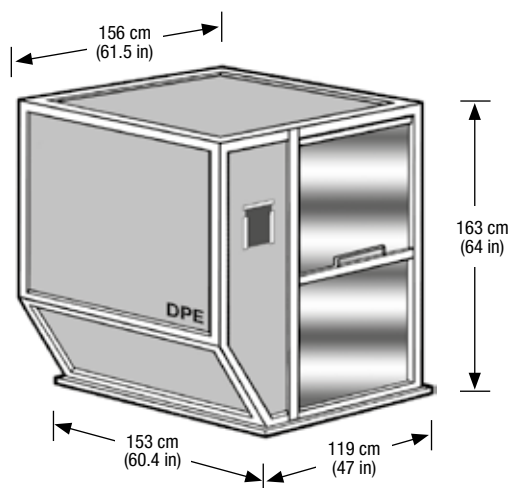
Door Sizes (Width x Height)		
	Metres	Inches
A	1.14 x 1.83	44.9 x 72
B	1.07 x 1.83	42.2 x 72
C	0.91 x 1.88	35.8 x 74.0
D	1.06 x 1.83	41.9 x 72
E	2.69 x 1.70	106.0 x 67.0
F	2.69 x 1.70	106.0 x 67.0
G	1.02 x 1.51	40.1 x 59.5

Note: Doors C are emergency doors only.

ULD INFORMATION *

LD 2 Container

IATA ULD Code: **DPE**

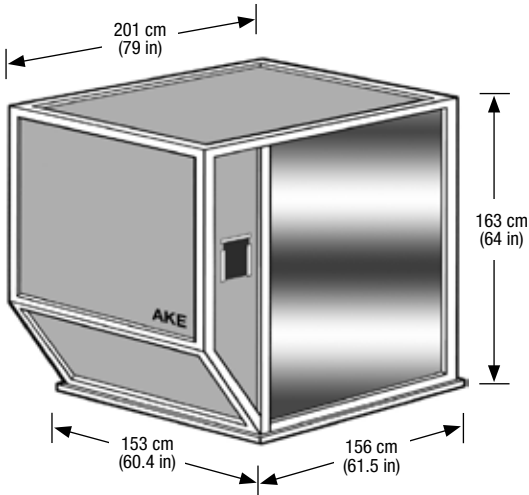


Rate class:	Type 8D
Description:	Half-width lower deck container with one angled end. Door is either canvas or solid.
Suitable for:	B767
Overall dimensions:	WxLxH 156 x 153 x 163 cm (61.5 x 60.4 x 64 in)
Door opening:	WxH 112 x 152 cm (44 x 60 in)
Internal dimensions:	WxLxH 154 x 152 x 150 cm (61 x 60 x 59 in)
Internal volume:	3.4 m ³ (120 ft ³)
Maximum gross weight:	1,225 kg (2,700 lb)

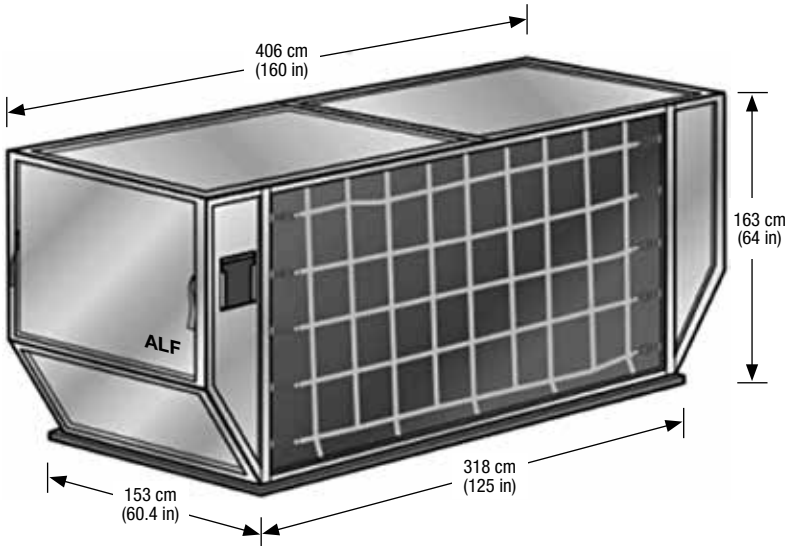
* The described ULD types correspond to the general standards laid down in the Airport Handling Manual (AHM).
For specific weights, dimensions and/or limitations please refer to the GOM/GHM of the respective carrier.

LD 3 Container

IATA ULD Code: **AKE**



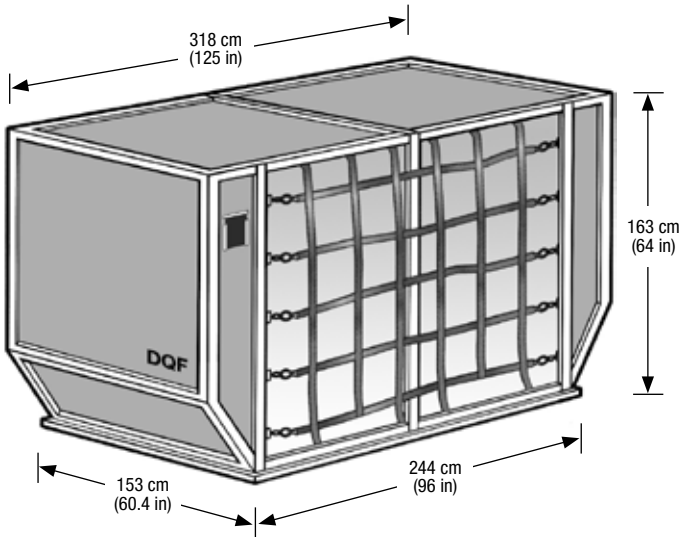
Rate class:	Type 8
Description:	Full-width lower deck container with one angled end. Door is either canvas or solid.
Suitable for:	A330, A350, B767, B787
Overall dimensions:	WxLxH 201 x 153 x 163 cm (79 x 60.4 x 64 in)
Door opening:	WxH 147 x 155 cm (58 x 61 in)
Internal dimensions:	WxLxH 193 x 145 x 155 cm (76 x 57 x 61 in)
Internal volume:	4.3 m ³ (152 ft ³)
Maximum gross weight:	1,588 kg (3,500 lb)

LD 6 Container**IATA ULD Code: ALF**

Rate class:	Type 6W
Description:	Full-width lower deck container with angled ends. Door is canvas with built-in door straps.
Suitable for:	A330, A350, B787
Overall dimensions:	WxLxH 406 x 153 x 163 cm (160 x 60.4 x 64 in)
Door opening:	WxH 305 x 152 cm (120 x 60 in)
Internal dimensions:	WxLxH 310 x 140 x 152 cm (122 x 55 x 60 in)
Internal volume:	8.9 m ³ (314 ft ³)
Maximum gross weight:	3.175 kg (7,000 lb)

LD 8 Container

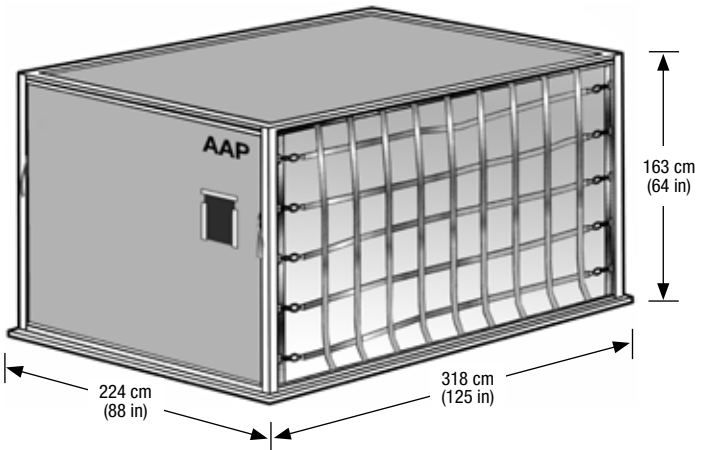
IATA ULD Code: **DQF**



Rate class:	Type 6A
Description:	Full-width lower deck container with angled ends. Door is canvas with built-in door straps.
Suitable for:	B767
Overall dimensions:	WxLxH 318 x 153 x 163 cm (125 x 60.4 x 64 in)
Door opening:	WxH 234 x 157 cm (92 x 62 in)
Internal dimensions:	WxLxH 315 x 152 x 149 cm (124 x 60 x 59 in)
Internal volume:	6.5 m ³ (242 ft ³)
Maximum gross weight:	2,450 kg (5,401 lb)

LD 9 Container

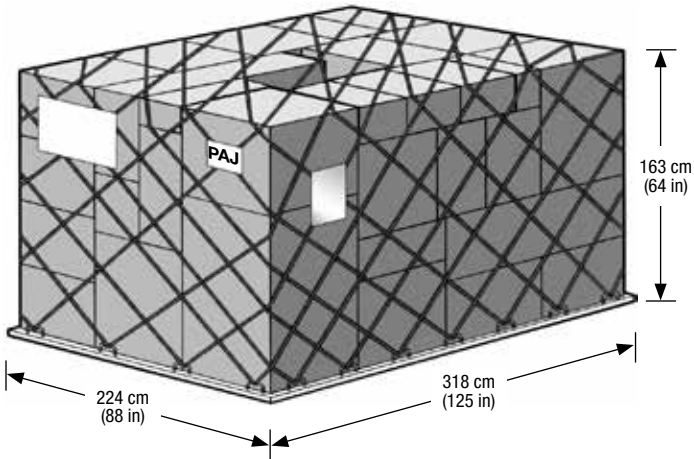
IATA ULD Code: **AAP**



Rate class:	Type 6A
Description:	General-purpose enclosed container fitted to P1P base. Door is canvas with built-in net door straps, or solid.
Suitable for:	A330, A350, B787
Overall dimensions:	WxLxH 318 x 224 x 163 cm (125 x 88 x 64 in)
Door opening:	WxH 300 x 147 cm (118 x 58 in)
Internal dimensions:	WxLxH 291 x 206 x 147 cm (114.5 x 81 x 58 in)
Internal volume:	10.8 m ³ (381 ft ³)
Maximum gross weight:	4,624 kg (10,194 lb) - lower deck 6,000 kg (13,227 lb) - main deck

LD 7 Pallet

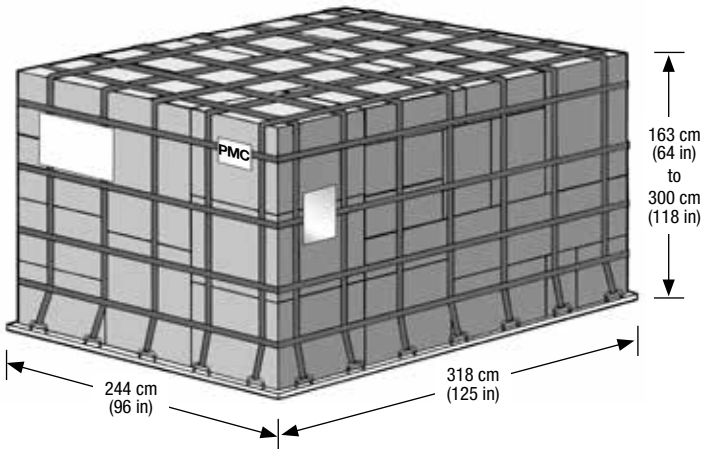
IATA ULD Code: **P1P / PAJ / PAG**



Rate class:	Type 5
Description:	Universal general-purpose flat pallet for lower and main decks.
Suitable for:	Wide body: All aircraft lower and main decks.
Overall dimensions:	WxLxH 318 x 224 x 163 cm (125 x 88 x 64 in)
Build up to:	H 163 cm (64 in) lower deck Type 5
Internal dimensions:	WxL 307 x 213 cm (121 x 84 in)
Max. volume:	10.2 m ³ (360 ft ³)
Maximum gross weight*:	4,626 kg (10,198 lb)

PMC/P6P Pallet

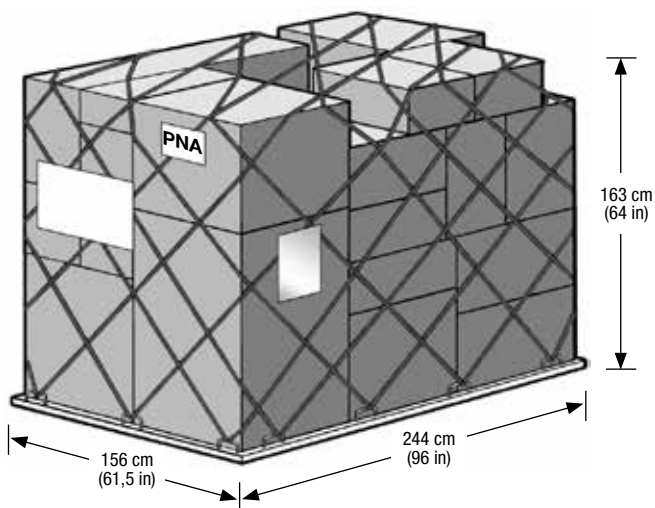
IATA ULD Code: **PMC**



Rate class:	Type 2BG
Description:	Universal general-purpose flat pallet for lower and main decks.
Suitable for:	A330, A350, B787
Overall dimensions:	WxLxH 318 x 244 x 163 cm (125 x 96 x 64 in)
Build up to:	H 163 cm (64 in) - lower deck Type 2 H 244 cm (96 in) - main deck Type 2H H 300 cm (118 in) - main deck Type 2H
Maximum volume:	H 163 cm (64 in) - 11.15 m ³ (394 ft ³) H 244 cm (96 in) - 16.52 m ³ (583 ft ³) H 300 cm (118 in) - 20.65 m ³ (729 ft ³)
Maximum gross weight*:	5,100 kg (11,200 lb)

PNA Half Pallet

IATA ULD Code: **PNA**



Rate class:	Type 8
Description:	PNA 767 half pallet with net
Suitable for:	B767
Overall dimensions:	WxLxH 244 x 156 x 163 cm (96 x 61,5 x 64 in)
Maximum volume:	5.7 m ³ (201 ft ³)
Maximum gross weight:	2,449 kg (5,399 lb)

OFFICE NETWORK

CITY / SALES OFFICE

CARGO ACCEPTANCE / WAREHOUSE

ABERDEEN (ABZ) - UNITED KINGDOM

Air Logistics Limited
Donington Court
Pegasus Business Park, Castle Donington
Derby DE74 2UZ
UK

Fax: +44 1332 810302
Tel: +44 1332 850021
E-mail: pegasus@airlogistics.co.uk
E-mail: jazeera@airlogistics.uk

World Flight Services Ltd.
Unit 1 & 2 Wellheads Industrial Estate
Wellheads Crescent
AB21 7GA Aberdeen
United Kingdom

Tel: +44 0141 842 8611
E-mail: alistar.jackson@wfs.aero
E-mail: immurray@wfs.aero
SITA: HDQVWXH

Mr. Iain T. Murray (Duty Manager)

ABHA (AHB) - SAUDI ARABIA

Leisure Cargo Branch
Al Anbari Street, Al Amal
Riyadh - 11335
Saudi Arabia

Zuheb Zahid (Sr. Sales & Services Executive)

Tel: +966 12642740
E-mail: zuheb@leisurecargo.ae
E-mail: jedsales@leisurecargo.ae
Mobile: +966 531067235

Nabeel Tha Kidyal (Sales & Services Executive)

Tel: +966 12642740
E-mail: nabeel@leisurecargo.ae
E-mail: jedcgo@leisurecargo.ae
Mobile: +966 535492488

SAL Saudi Logistics Services JSC
Abha
Saudi Arabia

SITA: SALSVDX

Operations:

E-mail: ahbstn@sal.sa

ABU DHABI (AUH) - UNITED ARAB EMIRATES

WCS World Cargo Solutions DMCC
Office No. 602
The Palladium, Cluster C
Jumeirah Lake Towers
Dubai
UAE

FOR BOOKING PLEASE CONTACT:

Abda Cargo Services DMCC
Office No. 602
The Palladium, Cluster C
Jumeirah Lakes Towers
Dubai
UAE

Sheroy Vanderbona

Tel: +971 5 52216591
E-mail: sheroy@world-cs.ae

Etihad Airport Services
Diwan Building Ground Floor
Abu Dhabi Airport Area
3668 Abu Dhabi
UAE

Customer Service:

E-mail: cargocs@eas.co.ca

Export:

E-mail: cargoip@eas.co.ae
E-mail: cargo@eas.co.ae
E-mail: cargodo@eas.co.ae

ACCRA (ACC) - GHANA

Aviance Ghana Ltd.

E-mail : cargosupervisor@avianceghana.com

AD DAMMAM (DMM) - SAUDI ARABIA

Leisure Cargo Branch
Al Anbar Street, Al Amal
Riyadh - 11335
Saudi Arabia

Ejas Ahmed (Sales & Service Executive)
Tel: +966 138151120
E-mail: ejas@leisurecargo.ae
E-mail: dmmcgo@leisurecargo.ae
Mobile: +966 503758857

SATS
King Fahad International Airport
32552 Dammam
Saudi Arabia

SITA: DMMCAHX

Operations:

Tel: +966 013 8830 131
E-mail: dmm_sats@sats.com.sa
E-mail: customer_services@sats.com.sa

Import:

Tel: +966 013 8830 282
E-mail: dmm_sats@sats.com.sa
E-mail: customer_services@sats.com.sa

ADANA (ADA) - TURKEY

Leisure Kargo Tasimacilik ve Ticaret A.S.
Meydankavagi Mah. 1561 Sok.
Deniz Apt. No:53 D:6
Muratpasa
07200 Antalya
Turkey

Tel: +90 242 312 4144 / 45
E-mail: info@leisurecargo.com.tr

TURKISH CARGO
Adana Havalimanı Kargo Binası
01100 Adana
Turkey

Tel: +90 322 435 03 80
E-mail: adanacargomg@thy.com

:

AHMEDABAD (AMD) - INDIA

Leisure Cargo India Pvt. Ltd.
710, Sukhsagar Complex
Opp Fortune Lanmark Hotel Usmanpura
Ahmedabad - 13
India

Mr. Deep Upadhyay
E-mail: sales.amd@leisurecargoindia.com
Mobile: +91 79-48499909

GSEC Ltd.
Ahmedabad Sardar Vallabhbai Patel
International Airport
Patel International Airport
Ahmedabad
India

Operations:

Tel: +91 792655 4100
E-mail: info@gsecl.co.in

AL AIN (AAN) - UNITED ARAB EMIRATES

WCS World Cargo Solutions DMCC
 Office No. 602
 The Palladium, Cluster C
 Jumeirah Lake Towers
 Dubai
 UAE

FOR BOOKING PLEASE CONTACT:

Abda Cargo Services DMCC
 Office No. 602
 The Palladium, Cluster C
 Jumeirah Lakes Towers
 Dubai
 UAE

Sheroy Vanderbona
 Tel: +971 5 52216591
 E-mail: sheroy@world-cs.ae

AL-JAWF (AJF) - SAUDI ARABIA

Leisure Cargo Branch
 Al Anbari Street, Al Amal
 Riyadh - 11335
 Saudi Arabia

SAL Saudi Logistics Services JSC
 Al-Jawf
 Saudi Arabia

SITA: SALS VXH

Vimal Kumar Uranghat (Sales & Services Supervisor)

Tel: +966 112967092
 E-mail: vimal@leisurecargo.ae
 E-mail: ruhsales@leisurecargo.ae
 Mobile: +966 571998217

Operation:

E-mail: ajfstn@sal.sa

Subhaan Mohammed (Operations Supervisor)

Tel: +966 112967092
 E-mail: mohammed.subhaan@leisurecargo.ae
 E-mail: ruhcg@leisurecargo.ae
 Mobile: +966 566647062

Parkar Ehtisham Ahmed (Operations Executive)

Tel: +966 112967092
 E-mail: parkar@leisurecargo.ae
 E-mail: ruhcg@leisurecargo.ae
 Mobile: +966 505567149

ALEXANDRIA (HBE) - EGYPT

EgyptAir Cargo
 Borg El Arab Airport Road
 Alexandria
 Egypt

Cargo Manager:

Tel: +20 1272007565
 E-mail: ibrahim.metwaly@egyptair.com

ALICANTE (ALC) - SPAIN

World Cargo Solutions Spain S.L.
 Avd. Central 37 1º Edificio WFS 2
 Aeropuerto de Madrid-Barajas
 28042 Madrid
 Spain

Mr. José Rodríguez Ortiz (Operations Department)
 Tel: +34 917223891
 E-mail: info@wcs.es
 E-mail: jrodriguez@wcs.es
 Mr. Angel Gimenez Duchaussoy (Director)
 Tel: +34 649687758
 E-mail: agimenez@wcs.es

WFS Servicios Aeroportuarios SA
 Terminal de Carga Aeropuerto de El Altet
 03195 Alicante
 Spain

Tel: +34 966 919 691 / 2 / 3
 E-mail: operacionesalc@groundforce.aero
 SITA: HDQACXH

:

ALMATY (ALA) - KAZAKHSTAN

Apeiron International Logistics
 Services LLP
 51 Akhmetova Street, Office 214
 Almaty 050039
 Kazakhstan

Tel: +7 701 0357100
 E-mail: cargo1kz.ai@apeironworld.com
 E-mail: ns@apeironworld.com
 E-mail: as@apeironworld.com
 Mobile: +7 705 3023925

Almaty International Airport
 Akhmetova 51 Almaty Cargo Terminal
 Almaty 050039
 Kazakhstan

Operations:

Tel: +7 727 3888910
 Tel: +7 727 2221551
 E-mail: info@alaport.com
 E-mail: shiftsgp@alaport.com

AMMAN (AMM) - JORDAN

Maltrans Group
 Shmeisani - Jaber Ibn Hayyan Street
 Maltrans Building No. 40
 P.o. Box 921805
 Amman 11192
 Jordan

Haya Shaheen
 Fax: +962 6 5680010
 Tel: +962 6 5004800
 E-mail: nkhabtib@maltrans.com
 E-mail: airf-export@maltrans.com

Royal Jordan Cargo
 Queen Alia International Airport Cargo Center
 Amman
 Jordania

E-mail: ammfvrj@rj.com
 SITA: AMMFF8X

AMSTERDAM (AMS) - NETHERLANDS

Airline Management Services BV
Singaporestraat 9-11
1175RA Lijnden
The Netherlands

Tel: +31 20 2382600
E-mail: info@ams-gsa.nl
Mobile: +31 649404970
SITA: AMSFFLT

Only for Pegasus

Worldwide Flight Services Holland BV
Anchorageaan 38
1118 Schiphol
Netherlands

SITA: AMSWFCR / AMSCSCR

Export Handling:

Tel: +31 20 6554268 / 84
E-mail: export.ams@wfs.aero

Import Handling:

Tel: +31 20 6554268 / 84
E-mail: import.ams@wfs.aero

Duty Office (Supervisor)

Tel: +31 20 6554268 / 84
E-mail: supervisor.ams@wfs.aero

Only for Corendon

DNATA
Pelikaanweg 1
Freight Stations 5 & 6
1118 Schiphol
Netherlands

Tel: +31 20 6032407
E-mail: ams.export.office@dnata.nl
SITA: SPLAGXH / SPLADXH

ANKARA (ESB) - TURKEY

Leisure Kargo Tasimacilik ve Ticaret A.S.
Meydankavagi Mah. 1561 Sok.
Deniz Apt. No:53 D:6
Muratpasa
07200 Antalya
Turkey

Tel: +90 242 312 4144 / 45
E-mail: info@leisurecargo.com.tr

Havas AS
Esenboga Airport
06670 Ankara
Turkey

SITA: ESBFFXH

Operations / Import

Tel: +90 312 398 03 12
E-mail: esbcgo@havas.net

ANTALYA (AYT) - TURKEY

Leisure Kargo Tasimacilik ve Ticaret A.S.
Meydankavagi Mah. 1561 Sok.
Deniz Apt. No:53 D:6
Muratpasa
07200 Antalya
Turkey

Tel: +90 242 312 4144 / 45
E-mail: info@leisurecargo.com.tr

Havas AS
Antalya Havalimani
07025 Antalya
Turkey

SITA: AYTFFXH

Operations / Import

Tel: +90 242 330 3800
E-mail: aytcco@havas.net
E-mail: aytkargoarsiv@havas.net

ARAR (RAE) - SAUDI ARABIA

SAL Saudi Logistics Services JSC
Arar
Saudi Arabia

SITA: SALSVDX

Operations:

E-mail: raestn@sal.sa

ARBIL (EBL) - IRAQ

Watania Air
Muthana Street, Watania Air Building
Najaf
Iraq

Tel: +964 7502225000

Tel: +964 7904451399

E-mail: halturaihi@wataniaair.com

Dnata
Erbil International Airport
Erbil
Iraq

Supervisor:

E-mail: cos@erbil.dnata.com

Duty Ops Office:

E-mail: john.a@erbil.dnata.com

AREQUIPA (AQP) - PERU**Domestic Traffic**

International Millennium Cargo SA

Import / Export:

Tel: 511 951781141

E-mail: base.arequipa@imcperu.com

Tracing:

Tel: 511 989156752

E-mail: squispe@imcperu.com

ATHENS (ATH) - GREECE

Eve-Euro Voyager Enterprises S.A.
14, Xenofontos Street
10557 Athens
Greece

:

Tel: +30 210 3245414-103

E-mail: cargo@eve.com.gr

Mobile: +30 6983 432854

Skyserv Handling Services
Athens International Airport El Venizelos
Building 23
19019 Spata
Greece

Export Manager

Tel: +30 2103564058

E-mail: c.gardikas@skyserv.aero

E-mail: cargo.export@skyserc.aero

Import Manager

Tel: +30 2103564111

E-mail: y.anemogiannis@skyserv.aero

E-mail: cargo.import@skyserv.aero

BAGHDAD (BGW) - IRAQ

Watania Air
Muthana Street, Watania Air Building
Najaf
Iraq

Tel: +964 7502225000
Tel: +964 7904451399
E-mail: halturaihi@wataniaair.com

Iraqi Airways Company
Airport Street, Baghdad Airport
Baghdad
Iraq

E-mail: ia.cargo@yahoo.com
E-mail: bgwops@gmail.com
SITA: BGWHL7X

BAKU (GYD) - AZERBAIJAN

Cargolight LLC
O. Mishugi Street
10 Bld., Office 303
02141 Kyiv
Ukraine

Tel: +380 44277-23-22
E-mail: office@cargolight.com

ASG Ground Handling "GHC" Branch
Heydar Aliyev International Airport
1044 Baku
Azerbaijan

SITA: GYDFMXH / GYDCSXH

Customer Service:

Tel: +994 12 437470
E-mail: customerservicedl@bct.az

BÂLE/MULHOUSE (BSL) - FRANCE

Airnautic AG
Freight Building
PO Box 117
4030 Basel
Switzerland

Fax: +41 61 325 27 66
Tel: +41 61 325 30 80
E-mail: bsl@airnautic.ch

Swissport Cargo Ltd.
Cargo Terminal
4030 Basel
Switzerland

SITA: BSLSP8X / BSLFFXH / BSLFWXH

Export:

Tel: +41 61 325 24 30
E-mail: bsl.manifest@swissport.com

Import:

Tel: +41 61 325 24 40
E-mail: bsl.manifest@swissport.com

BANGALORE (BLR) - INDIA

Air India SATS Airport Services Pvt Ltd
Plot C05 L Kempegowda International Airport
460300 Karnataka
India

SITA: BLRFKAI

Export:

Tel: +91 8066783427
E-mail: export.blr@aisats.in

Import:

Tel: +91 8066783429
E-mail: import.blr@aisats.in

BANGKOK (DMK) - THAILAND

ABDA Aviation Company Ltd.
 33/112 Wall Street Tower
 Office Condominium
 Room No. 2106, 21st Floor Surawong Road
 Suriyawon, Bangrak, Bangkok 10500
 Thailand

Tel: +66 2632 6886

BANGKOK (BKK) - THAILAND

ABDA Aviation Company Ltd.
 33/112 Wall Street Tower
 Office Condominium
 Room No. 2106, 21st Floor Surawong Road
 Suriyawon, Bangrak, Bangkok 10500
 Thailand

Tel: +66 2632 6886

BARCELONA (BCN) - SPAIN

World Cargo Solutions Spain S.L.
 C/ Estrella Polar 1 2ª Planta
 Terminal WFS
 Centro de Carga Aerea Cargo Parc Norte
 Aeropuerto Josep Tarradellas
 Barcelona-El Prat
 08820 El Prat de Llobregat Barcelona
 Spain

Mr. José Rodriguez Ortiz (Operations
 Department)

Tel: +34 917223891

E-mail: info@wcs.es

E-mail: jrodriguez@wcs.es

Mr. Angel Gimenez Duchaussoy (Director)

Tel: +34 649687758

E-mail: agimenez@wcs.es

Worldwide Flight Services
 Aeropuerto del Prat Centro de carga Aerea C
 Estel Polar 1
 08820 Barcelona
 Spain

SITA: CDGHQHX

Supervisor:

Tel: +34 93 374 07 85 / 86

E-mail: supervisors.bcn@wfs.aero

Export:

E-mail: export.bcn@wfs.aero

Tracing:

E-mail: tracing.bcn@wfs.aero

Import:

E-mail: import.bcn@wfs.aero

BEIJING (PEK) - CHINA

Air Logistics China Ltd.
 Room 302, Building L,
 Hangcheng Square No. 580, Shunping Road
 Shunyi District Beijing 101300
 China

E-mail: pek@airlogisticsgroup.com

BEIRUT (BEY) - LEBANON

Euro Asia
Youssef Center, 1st Fluor
Badaro, Sami Saleh Street
PO Box 5019-116 Adlieh
Beirut
Lebanon

Middle East Airlines Ground Handling MEAG
Rafic Al Hariri Airport Road
Beirut
Lebanon

Head Cargo Operations:

E-mail: Elhajja@meag.com.lb

Export:

Tel: +961 162 3389

E-mail: freight.export@meag.com.lb

Tracing:

Tel: +961 162 3767

E-mail: freight.irregularities@meag.com.lb

BELGRADE (BEG) - SERBIA

XQair Cargo Service D.O.O.
Aerodrom Nikola Tesla BB
11271 Surcin
Republic of Serbia

Nikola Tesla Airport
Aerodrom Beograd 59
11180 Belgrade
Serbia

SITA: BEGXQXH

E-mail: cargo.tracing@beg.aero

SITA: BEGFFXH

Operations:

Tel: +381 112286010

Tel: +381 658745632

E-mail: beg@xqair.aero

BERGAMO (BGY) - ITALY

MJM Aviation Cargo Services Srl
Via Gabriele d'Annunzio 2
Aeroporto Malpensa
21019 Vizzola Ticino
Italy

BGY International Services Srl
Via Orio al Serio 49 51
24050 Bergamo
Italy

Tel: +39 0331 108 8674

E-mail: info.mxp@mjmcargo.it

E-mail: cargo@bgyis.it

E-mail: opsbg@agshandling.it

SITA: BGYKFXH / BGYABXH

BERLIN (BER) - GERMANY

World Cargo Solutions GmbH
 Wanheimer Strasse 45
 40472 Düsseldorf
 Germany

Reservations & Customer Services:

Tel: +49 211 438326-26
 E-mail: reservations@world-cs.de
 E-mail: sales@world-cs.de

WISAG Cargo Service Berlin-Brandenburg
 GmbH & Co.KG
 Air Cargo Center BER
 Georg Wulff Strasse 1
 12529 Berlin
 Germany

SITA: BERFFXH

Export:

Tel: +49 30 6091 75667 / 75672
 E-mail: corgoexport.ber.wcs.servicecenter@w

Import:

Tel: +49 30 6091 75663 / 74666
 E-mail: cargoimport.ber.wcs.servicecenter@w

BILBAO (BIO) - SPAIN

WFS Servicios Aeroportuarios SA
 Terminal de Carga Aeropuerto de Bilbao
 48150 Sondika
 Spain

SITA: HDQACXH

Operations:

Tel: +34 944 869 510
 E-mail: operaciones.calbio@groundforce.aero
 E-mail: biocgo@groundforce.aero

BILLUND (BLL) - DENMARK

Billund Airport
 Cargo Center Billund Eksporthvej 40
 7190 Billund
 Denmark

SITA: BLLFMXH

Operations / Import

E-mail: ccb@bll.dk

BIRMINGHAM (BHX) - UNITED KINGDOM

Swissport International Ltd.
World Cargo Centre Birmingham Airport
B26 3QN Birmingham
United Kingdom

SITA: BHXFFXH / BHXCS8X

General Operations:

Tel: +44 0121 782 2447 / 8
E-mail: bhx.cargo@swissport.com

Duty Manager:

Tel: +44 0121 782 2447
E-mail: kamran.farooq@swissport.com
E-mail: bryan.hunt@swissport.com

BISHKEK (FRU) - KYRGYZSTAN

Air Manas Air Company
Maldybaeva Str. 75
Bishkek
Kyrgyzstan

Tel: +996 312 564040
E-mail: cargo@airmanas.com

Manas Management Company
Manas Airport Road
Bishkek
Kyrgyzstan

SITA: FRUMBXH

Director:

E-mail: oskar@mmc.kg

Assistant Ops Manager:

E-mail: liliya.kalykova@airmanas.com

BOGOTA (BOG) - COLOMBIA

Aeroplus SAS
Al el Dorado 111-51 TC 1 Bodega 2
Bogota
Colombia

Tel: +57 3103404808
E-mail: reservas.bog@aeroplusgsa.com

Taescol Ltda
Ac 26 51
Bogota
Colombia

Export / Import:

Tel: +57 310 3404808
E-mail: export@taescol.com.co
E-mail: import@taescol.com.co
E-mail: liberaciones@taescol.com.co

BOLOGNA (BLQ) - ITALY

MJM Aviation Cargo Services Srl
Via Triumvirato 84
Palazzina Merci 3
40132 Bologna Aeroporto G. Marconi
Italy

Tel: +39 051 026 0206
E-mail: info.blq@mjmcargo.it

FFM Fast Freight Marconi SPA
Via del Triumvirato 84 Aeroporto G Marconi
Bologna 40132
Italy

Operations:

Tel: +39 0516479763
E-mail: cargoofficer@marconiiffm.it

BORDEAUX/MÉRIGNAC (BOD) - FRANCE

SFS - Societé de Fret et de Services (WFS)

BRASÍLIA (BSB) - BRAZIL

Tri-Star Servicios Aeroportuarios LTDA

BREMEN (BRE) - GERMANY

World Cargo Solutions GmbH
Wanheimer Strasse 45
40472 Düsseldorf
Germany

Bremen Airport Handling Service GmbH
Flughafenallee 25
28199 Bremen
Germany

Reservations & Customer Services

Tel: +49 211 438326-26
E-mail: reservations@world-cs.de
E-mail: sales@world-cs.de

SITA: BREFFXH

Operations / Import

Tel: +49 4215595238
E-mail: cargo@bre-handling.de

BRINDISI (BDS) - ITALY

Xpress Handling

SITA: CHAH2XH

Export / Import:

Tel: +39 3938716228
E-mail: bds@xph.it

BRISTOL (BRS) - UNITED KINGDOM

World Flight Services Ltd.
Unit 6 to 8 Bristol Airport Freight Center
Jubilee Way
BS11 9HU Bristol
United Kingdom

Tel: +44 0177 938 1234
SITA: HDQWWXH

BRUSSELS (BRU) - BELGIUM

Air Logistics BVBA
 Bedrijvenzone Machelen, Cargo Building 706
 Bus 3, Room 0766, 7th Floor
 1830 Machelen
 Belgium

Tel: +32 477292055
 Tel: +32 27090600
 E-mail: jeremy.henno@airlogisticsgroup.com

Swissport Cargo Services Belgium NV
 Bedrijvenzone Machelen Cargo Building 701
 1830 Machelen
 Belgium

SITA: BRUCS8X

Duty Manager:

Tel: +32 275306 01
 E-mail: bru.cargo701dutymanagers@swisspo

Export:

Tel: +32 275306 02
 E-mail: bru.cargo701@swissport.com

Import:

Tel: +32 275306 01
 E-mail: bru.cargo701@swissport.com

BRUSSELS (CRL) - BELGIUM

Air Logistics BVBA
 Bedrijvenzone Machelen, Cargo Building 706
 Bus 3, Room 0766, 7th Floor
 1830 Machelen
 Belgium

Tel: +32 477292055
 Tel: +32 27090600
 E-mail: jeremy.henno@airlogisticsgroup.com

Brussels South Charleroi Airport Easy Cargo
 Rue des Fusilles 21
 6040 Charleroi
 Belgium

Operations:

E-mail: l.spire@charleroi-airport.com
 E-mail: j.perez@charleroi-airport.com

Export / Import:

Tel: +32 71251289
 E-mail: cargo@charleroi-airport

BUCHAREST (OTP) - ROMANIA

XQAir Aircargo S.R.L.
 St Aurel Vlaicu Nr. 9
 Otopeni
 Romania

Tel: +40 21 3519032
 E-mail: buh@xqair.aero
 SITA: BUHXQXH

BUDAPEST (BUD) - HUNGARY

XQAir Cargo Services K.F.T.
 Széchenyi U. 90/b 2. Emelet
 2220 Verses Budapest
 Hungary

Tel: +36 29 800969
 E-mail: bud@xqair.aero
 SITA: BUDXQXH

Flyus Aviation Group
 BUD Nemzetközi Repülőtér
 209-es Számú Létesítmény
 B202 es B202.1
 Budapest
 HU-1185

SITA: FLYUSXH

:

Tel: +36 (0) 1 296-8036
 E-mail: cargosales.bud@flyus.aero

BUENOS AIRES (AEP) - ARGENTINA

Handyway Cargo

Import / Export / Tracing

Tel: +54 11 4480-7773

Tel: +54 11 4480-7775

E-mail: grp_customeze.handyway@latam.com

E-mail: grp_operativoseze.handyway@latam.c

E-mail: grp_documentaleze.handyway@latam

BUENOS AIRES (EZE) - ARGENTINA

Handyway Cargo

Import / Export / Tracing

Tel: +54 11 4480-7773

Tel: +54 11 4480-7775

E-mail: grp_customeze.handyway@latam.com

E-mail: grp_operativoseze.handyway@latam.c

E-mail: grp_documentaleze.handyway@latam

BURAIQA (ELQ) - SAUDI ARABIA

Leisure Cargo Branch
Al Anbari Street, Al Amal
Riyadh - 11335
Saudi Arabia

SAL Saudi Logistics Services JSC
Buraida
Saudi Arabia

SITA: SALSVMX

Vimal Kumar Uranghat (Sales & Services Supervisor)

Tel: +966 112967092

E-mail: vimal@leisurecargo.ae

E-mail: ruhsales@leisurecargo.ae

Mobile: +966 571998217

Subhaan Mohammed (Operations Supervisor)

Tel: +966 112967092

E-mail: mohammed.subhaan@leisurecargo.ae

E-mail: ruhcg0@leisurecargo.ae

Mobile: +966 566647062

Parkar Ehtisham Ahmed (Operations Executive)

Tel: +966 112967092

E-mail: parkar@leisurecargo.ae

E-mail: ruhcg0@leisurecargo.ae

Mobile: +966 505567149

Operations:

E-mail: elqstn@sal.sa

CAGLIARI (CAG) - ITALY

Xpress Handling

SITA: CHAH2XH

Export / Import:

Tel: +39 070 240097

E-mail: cag@xph.it

CAIRO (CAI) - EGYPT

CACC Cargolinx
Cargo Village Street Cairo International Airport
11861 Cairo
Egypt

SITA: CAIFFXH

Export Supervisor:

E-mail: export.sod@cargolinx.com

Export:

Tel: +20 0222677648

E-mail: cai.exp@cargolinx.com

Import Supervisor:

E-mail: import.sod@cargolinx.com

Import:

Tel: +20 0222666002

E-mail: cai.import@cargolinx.com

CALI (CLO) - COLOMBIA

Taescol Ltda
 Aeropuerto Alfonso Bonilla Aragon
 Terminal de Cargo Bodega 5
 Cali
 Colombia

Operations / Import

Tel: +57 3158970239
 E-mail: sxxiclo@taescol.com.co

CALICUT (CCJ) - INDIA

Leisure Cargo India Pvt. Ltd.
 Air Cargo Complex Karipur, Room No. 11
 Calicut
 India

Tel: +91 93840 90660
 E-mail: sales.ccj@leisurecargoindia.com

Mohammed Ahuhyl

ATSL

Operations:

Tel: +91 9600112219
 E-mail: ccj.gh@airindia.in

CANCÚN (CUN) - MEXICO

ACSY CARGO Mexico España S.A. de C.V.
 Plaza LuxurynLocal 12, 1er Piso
 Carretera Cancun Aeropuerto KM 15
 77565 Cancun, Quintana ROO
 Mexico

Tel: +525 998 886 2855
 E-mail: maggie@acsycargo.net
 E-mail: service@acsycargo.net

ACSY CARGO Mexico España S.A. de C.V.
 Carretera Cancun Chetumal Km 22
 Aeropuerto Internacional de Cancun
 77565 Cancun
 Mexico

General Manager:

Tel: +52 998 275 4974
 E-mail: maggie@acsycargo.net

Operations:

Tel: +52 998 275 6254
 E-mail: service@acsycargo.net

CARDIFF (CWL) - UNITED KINGDOM

Raven Express
 Units 1 to 2 3A & 4 Cargo Terminal Cardiff
 International Airport
 CF62 3BD Rhooose
 United Kingdom

SITA: LONABXH

Operation Supervisors:

Tel: +44 1446 711488
 E-mail: transport@ravenexpress.co.uk

CASABLANCA (CMN) - MOROCCO

Broad Business Services Sarl
 Nouaceur BP 86, CME Zone de Fret
 Casablanca
 Morocco

Tel: +212 522 539 789
 E-mail: alain@leisurecargo.org

Swiftair Maroc SARL
 Zone Fret Local No 24 Airport Mohammed V
 29002 Casablanca
 Morocco

Export:
 E-mail: cmn-export@swiftair-morocco.com

Tracing:
 E-mail: cmn-tracing@swiftair-morocco.com

Import:
 E-mail: cmn-import@swiftair-morocco.com

CATANIA (CTA) - ITALY

MJM Aviation Cargo Services Srl
 Via Triumvirato 84
 Palazzina Merci 3
 40132 Bologna Aeroporto G. Marconi
 Italy

Tel: +39 051 026 0206
 E-mail: info.blq@mjm cargo.it

Xpress Handling

SITA: CHAH2XH

Export / Import:
 Tel: +39 0957239537
 E-mail: cta@xph.it

CHIȘINĂU (KIV) - MOLDOVA, REPUBLIC OF

Aeroport Handling SRL
 Dacia Blvd 80 3
 Chisinau
 Moldova

SITA: KIVDAXH

Cargo Manager:
 Tel: +373 22811872
 E-mail: cargo@handling.md
 E-mail: i.liogkaia@handling.md

Cargo Agent:
 Tel: +373 22811872
 E-mail: cargo.ramp@handling.md

CHORRILLOS (LIM) - PERU**International Flights**

Talma
 Av Elmer Faucett 2879 Piso 4
 Lima Cargo City
 07031 Callao
 Peru

SITA: LIMSAXH

Export / Import / Tracing

Tel: +51 981 239113
 Tel: +51 981 460383
 E-mail: coa.carga@talma.com.pe
 E-mail: operaciones.ghalima1@talma.com.pe
 E-mail: lider.ghacoa@talma.com.pe

Domestic Traffic

International Millennium Cargo SA

Import:

Tel: 511 989156795
 E-mail: rerotomolima@imcperu.com

Export:

Tel: 511 989156780
 E-mail: soportetierra@imcperu.com

Tracing:

Tel: 511 989156752
 E-mail: squispe@imcperu.com

COCHIN (COK) - INDIA

Pelican Air Pvt.Ltd.
 1st Floor near BSNL Office, Cha Building
 Cochin International Airport LTD..
 Nedumbassery
 683111 Cochin
 India

Tel: +91 99461 12884
 E-mail: ops.cok@leisurecargoindia.com

Mr. Sainul Abid

CIAL Ltd Cochin International Airport
 Cochin international Airport Airport Road
 683 111 Cochin
 India

Deputy General Manager:

Tel: +91 95390 69662
 E-mail: pkocheril@cial.aero

Export:

E-mail: exportdm@cial.aero

Import:

E-mail: import@cial.aero

COLOGNE (CGN) - GERMANY

World Cargo Solutions GmbH
 Wanheimer Strasse 45
 40472 Düsseldorf
 Germany

Reservations & Customer Services:

Tel: +49 211 438326-26
 E-mail: reservations@world-cs.de
 E-mail: sales@world-cs.de

dnata Cargo GmbH
 Cologne Bonn Cargo Center
 Krieger Strasse 14
 51147 Cologne
 Germany

SITA: CGNWHXH

Operations:

Tel: +49 2203 2975527
 E-mail: cargo.de@dnata.com
 E-mail: cgn.supervisor@dnata.com

COLOMBO (CMB) - SRI LANKA

Abda Aviation Lanka Pvt. Ltd.
 No. 466 2/1, Thibirigasyaya Road
 Colombo 05
 Sri Lanka

Fax: +94 1120556 95
 Tel: +94 1120556 91-94
 E-mail: gosc@abda.lk

COPENHAGEN (CPH) - DENMARK

North Air Logistics
 Amager Strandvej 418
 2770 Kastrup
 Denmark

Tel: +45 32527600
 E-mail: cph@northairlogistics.dk
 SITA: CPHALXH

Worldwide Flight Services Denmark AS
 Kystvejen 3
 2770 Kastrup
 Denmark

SITA: CDGHQXH

Operations:

Tel: +45 32 465000
 E-mail: cph-cargo@wfs.aero

Tracing:

E-mail: cph-tracing@wfs.aero

CORDOBA (COR) - ARGENTINA

Handyway Cargo

Operations:

E-mail: aaltagaveite@handywaycargo.com
 E-mail: cristiannagel.handyway@latam.com

CORRIENTES (CNQ) - ARGENTINA

Handyway Cargo

Operations:

E-mail: aaltagaveite@handywaycargo.com
 E-mail: cristiannagel.handyway@latam.com

CUSCO (CUZ) - PERU**Domestic Traffic**

International Millennium Cargo SA

Import / Export:

Tel: 511 989088194

E-mail: base.cuzco@imcperu.com

Tracing:

Tel: 511 989156752

E-mail: squispe@imcperu.com

DAKAR (DSS) - SENEGAL

Aero Services
 Lot 4 Ngor
 En Face Direction de Total
 Dakar
 Senegal

Tel: +221 33 8209151

E-mail: laurence@aeroservices.sn

E-mail: mansour@aeroservices.sn

AIBD Assistance Services Ltd
 Airport Dakar-Blaise Diagne
 Dakar
 Senegal

SITA: DSSASXH / CHAHAXH

Duty Manager:

Tel: +211 7784395 29

E-mail: dutymanager@2asgh.sn

Operations:

Tel: +211 77843 94

E-mail: dss-ops@2asgh.sn

Export:

Tel: +211 7784395 10

E-mail: dss-cargoandmail@2asgh.sn

Import:

Tel: +211 7749518 13

E-mail: dss-import@2asgh.sn

DHAKA (DAC) - BANGLADESH

M & C Aviation Bangladesh Pvt. Ltd.
 No. 36, Delta Dahlia 10th Floor
 Kemal Ataturk Avenue, Banani
 Dhaka 1213
 Bangladesh

Fax: +880 2982 1912

Tel: +880 19 73230089

Tel: +880 2982 0765

E-mail: salindha.dac@mncaviation.com

E-mail: mahbub.dac@mncaviation.com

DOHA (DOH) - QATAR

Al Tawfeeq Logistics WLL
 Al Shoumoukh Towers, Tower A
 Level 7, Al Sadd
 Doha
 Qatar
 (Only for J9)

Fax: +974 44807064
 Tel: +974 44484835
 E-mail: jagath.gonsal@atl.qa

Bin Yousef Cargo Express WLL
 Al emadi Center, Opp Old Doha Internat.
 Airport Cargo Terminal
 Airport Road PO Box 2295
 Doha
 Qatar
 (Only for PC)

Fax: +974 44678357
 Tel: +974 70088956
 E-mail: kgunasekara@binyousefcargo.com

Qatar Aviation Services
 Hamad International Airport
 Doha
 Qatar

SITA: HDQFMQR / DOHACXH

Operations / Import

Tel: +974 50398432
 E-mail: qascgohiadtm@qataraviation.com

DONCASTER (DSA) - UNITED KINGDOM

World Flight Services Ltd.
 Cargo Terminal Hangar 1
 4th Avenue Doncaster Sheffield Airport
 DN9 3EG South Yorkshire
 United Kingdom

SITA: HDQWWXH

Cargo Operations:

E-mail: cargoops@dsa.aero

DRESDEN (DRS) - GERMANY

World Cargo Solutions GmbH
 Wanheimer Strasse 45
 40472 Düsseldorf
 Germany

Reservations & Customer Services:

Tel: +49 211 438326-26
 E-mail: reservations@world-cs.de
 E-mail: sales@world-cs.de

PortGround GmbH
 Flughafenstrasse
 01109 Dresden
 Germany

SITA: DRSFFXH

Export / Import:

Tel: +49 351 881 3500 / 3510 / 3514
 E-mail: cargo.drs@portground.de

DUBAI (DXB) - UNITED ARAB EMIRATES

WCS World Cargo Solutions DMCC
Office No. 602
The Palladium, Cluster C
Jumeirah Lake Towers
Dubai
UAE

Dnata
Al Tawar Air Cargo City Dnata Cargo
Dubai
UAE

SITA: DXBCGXH

FOR BOOKING PLEASE CONTACT:

Abda Cargo Services DMCC
Office No. 602
The Palladium, Cluster C
Jumeirah Lakes Towers
Dubai
UAE

Operations / Import

Tel: +971 4 2111111
E-mail: dnatacargodxb@dnata.com

Tracing:

Tel: +971 4 6064321
E-mail: tracingdxb@dnata.com

Sheroy Vanderbona
Tel: +971 5 52216591
E-mail: sheroy@world-cs.ae

DÜSSELDORF (DUS) - GERMANY

World Cargo Solutions GmbH
Wanheimer Strasse 45
40472 Düsseldorf
Germany

Flughafen Düsseldorf Cargo GmbH
DUS Air Cargo Center
Frachtstrasse 26 (Entrance D / 3. Floor)
40474 Düsseldorf
Germany

Management / Head Office:

Ralf Auslaender (Managing Director)
Tel: +49 211 438326-21
E-mail: ralf.auslaender@world-cs.de
Mobile: +49 176 23864227
Christian Weidener (Director Network)
Tel: +49 211 438326-22
E-mail: christian.weidener@world-cs.de
Mobile: +49 152 21754779
Kai Wicke (Director Legal)
Tel: +49 211 438326-12
E-mail: kai.wicke@world-cs.de
Mobile: +49 152 23791648

SITA: DUSFEXH / DUSFIXH

Export:

Tel: +49 211 421 2777
E-mail: dus-cargo-export@dus.com

Import:

Tel: +49 211 421 3856
E-mail: dus-cargo-import@dus.com

Route Management:

Marc Ausländer (Manager Route Development)
Tel: +49 211 438326-20
E-mail: marc.auslaender@world-cs.de
Mobile: +49 172 3898558

Controlling:

Robert Gutman (Head of Controlling & Data Analytics)
Tel: +49 211 438326-13
E-mail: robert.gutman@world-cs.de
Mobile: +49 173 2331252

Revenue Accounting & Finance:

Sabine Walraven (Head of Accounting & Finance)
Tel: +49 211 438326-10

E-mail: sabine.walraven@world-cs.de
Mobile: +49 152 23790128
Claudia Sippel (Assistent Accounting & Finance)
Tel: +49 211 438326-11
E-mail: claudia.sippel@world-cs.de
Mobile: +49 173 5408970

Quality, Safety & Security:

Marcus Kuchenbecker (Head of Quality, Safety & Security)
Tel: +49 211 438326-15
E-mail: marcus.kuchenbecker@world-cs.de
Mobile: +49 152 23790128

Operations:

Björn Feldkamp (Head of Operations)
Tel: +49 211 438326-14
E-mail: bjoern.feldkamp@world-cs.de
Mobile: +49 173 2331237
Thomas Platzbäcker (Officer Operations)
Tel: +49 211 438326-28
E-mail: thomas.platzbaecker@world-cs.de
Mobile: +49 172 6026417
Agnes Ridder (Head of Projects)
Tel: +49 211 438326-23
E-mail: agnes.ridder@world-cs.de
Mobile: +49 174 2048187

Indoor Sales:

Tufan Canga (Sales Representative)
Tel: +49 211 438326-29
E-mail: tufan.canga@world-cs.de
Mobile: +49 162 5950151

Data Maintenance:

Astrid Weidener (Officer Flight Schedule Data Input)
Tel: +49 211 438326-22
E-mail: astrid.weidener@world-cs.de

Reservations & Customer Services:

Tel: +49 211 438326-26
E-mail: reservations@world-cs.de

EDINBURGH (EDI) - UNITED KINGDOM

World Flight Services Ltd.
Turnhouse Road
EH12 0AL Edinburgh
United Kingdom

SITA: HDQWWXH

General Operations:

Tel: +44 0131 317 2891

E-mail: edi.ops@wfs.aero

Operations Supervisor:

Tel: +44 0131 317 2891

E-mail: edi.dutymanager@wfs.aero

EL CALAFATE (FTE) - ARGENTINA

Handyway Cargo

Operations:

E-mail: aaltagaveite@handywaycargo.com

E-mail: cristiannagel.handyway@latam.com

ELAZIĞ (EZS) - TURKEY

Havas AS
Yesilyurt Mh Havalimani Cd No 1
23090 Elazig
Turkey

SITA: EZSUSXH

Operations / Import

Tel: +90 424 2551410 / 2108

E-mail: ezsops@havas.net

ESPARGOS (SID) - CAPE VERDE

CV Cabo Verde Handling
Espargos, Sal Island
Sal
Cabo Verde

SITA: SIDKXH

Operations / Import

Tel: +238 2415253

E-mail: cargo.sid@cvhandling.cv

FARO (FAO) - PORTUGAL

World Cargo Solutions Spain S.L.
Avd. Central 37 1º Edificio WFS 2
Aeroporto de Madrid-Barajas
28042 Madrid
Spain

Portway Handling de Portugal SA
Terminal de Carga Edificio 13 Aeroporto de
Faro
8000 997 Faro
Portugal

Mr. José Rodríguez Ortiz (Operations Department)
Tel: +34 917223891
E-mail: info@wcs.es
E-mail: jrodriguez@wcs.es
Mr. Angel Gimenez Duchaussoy (Director)
Tel: +34 649687758
E-mail: agimenez@wcs.es

SITA: FAOFKXH

Export / Import:

Tel: +351 289800625
E-mail: carga.faro@portway.pt

:

FORTALEZA (FOR) - BRAZIL

Bragha Trading Auxilia de Transportes Aéreos
Ltda.
Av. Oliveira Paiva, 2797 - Shopping Granito
Center
1º Piso - Sala 106
60821-802 Fortaleza - Ceará State
Brazil

Tel: +55 85 988027515
E-mail: icbrazil@bragha.com.br

FRANKFURT-AM-MAIN (FRA) - GERMANY

World Cargo Solutions GmbH
 Cargo City Süd, Geb. 532, Ebene 6
 60549 Frankfurt
 Germany

Ralf Riksen (Sales Manager)
 Tel: +49 211 438326-16
 E-mail: ralf.riksen@world-cs.de
 Mobile: +49 172 8585146
 Gesa Riksen (Officer Sales & Reservations)
 Tel: +49 211 438326-16
 E-mail: gesa.riksen@world-cs.de
 Eren Yildirim (Route Manager)
 Tel: +49 211 438326-26
 E-mail: eren.yildirim@world-cs.de
 Mobile: +49 162 5950151

Reservations & Customer Services:

Tel: +49 211 438326-26
 E-mail: reservations@world-cs.de

Fraport Cargo Services GmbH
 Building 532
 Cargo City Sued
 60549 Frankfurt

SITA: FRAFMXH

Export for Pegasus:

Tel: +49 69 69070228

Export for Corendon:

Tel: +49 69 69071850

Import:

Tel: +49 69 960 70167
 E-mail: import-supervisor@fcs.wfs.aero
 E-mail: import-codo@fcs.wfs.aero

For Neos

Eurohandling GmbH
 Building 639
 Cargo City Sued
 60549 Frankfurt

Tel: +49 69 71183132
 E-mail: import@euro-handling.de
 E-mail: export@euro-handling.de

FUERTEVENTURA ISLAND (FUE) - SPAIN

Airline Cargo System S.L.
 C/Vereda Del Medio N.81
 38350 Tacoronte Santa Cruz de Tenerife
 Spain

Tel: +34 922 825085
 E-mail: sales.canarias@acsycargo.net

Eurotransmex Handling SL
 Terminal de Carga Aeropuerto Fuerteventura
 35600 El Matorral
 Spain

SITA: ETMFFCR / FUEFFCR

Cargo Manager:

Tel: +34 618 744569
 E-mail: a.brisson@etmhandling.com

Export / Import:

Tel: +34 928 860515
 E-mail: fueffcr@etmhandling.com

FUNCHAL (FNC) - PORTUGAL

Portway Handling de Portugal SA
 Terminal de Carga Aeroporto de Madeira
 9100 105 Madeira
 Portugal

Cargo Coordination:

E-mail: ccfnc@portway.pt

GAZIANTEP (GZT) - TURKEY

Leisure Kargo Tasimacilik ve Ticaret A.S.
 Meydankavagi Mah. 1561 Sok.
 Deniz Apt. No:53 D:6
 Muratpasa
 07200 Antalya
 Turkey

Tel: +90 242 312 4144 / 45
 E-mail: info@leisurecargo.com.tr

GENEVA (GVA) - SWITZERLAND

Airnauc AG
 Freight Building
 PO Box 1078
 1211 Geneva - Airport
 Switzerland

Fax: +41 22 717 89 02
 Tel: +41 22 717 89 00
 E-mail: gva@airnauc.ch

Dnata Switzerland AG
 La Voie des Traz
 1211 Geneva
 Switzerland

SITA: GVAFO7X / GVAAFF7X

Duty Officer
 E-mail: suzy.serruys@dnata.ch

Export:

Tel: +41 22 5559548
 E-mail: gva.fretexport@dnata.ch

Import:

Tel: +41 22 5559550
 E-mail: gva.fretimport@dnata.ch

GLASGOW (GLA) - UNITED KINGDOM

World Flight Services Ltd.
 Campsie Drive Glasgow Airport
 PA3 2SG Renfrewshire
 United Kingdom

SITA: HDQWWXH

General Operations:

Tel: +44 0141 842 8123
 E-mail: glaoperations@wfs.aero

Operations Supervisor:

Tel: +44 0141 842 8122
 E-mail: gladutymanager@wfs.aero

Duty Manager:

Tel: +44 0141 842 8619
 E-mail: mcraig@wfs.aero

GOTHENBURG (GOT) - SWEDEN

GLA Aircargo AB
Flygfraktsvaegen A ingang
43880 Landvetter
Sweden

SITA: GOTFHXH

Operations / Import

Tel: +46 31941255

E-mail: cargoinfo@glagods.se

GRAN CANARIA ISLAND (LPA) - SPAIN

Airline Cargo System S.L.
C/Vereda Del Medio N.81
38350 Tacoronte Santa Cruz de Tenerife
Spain

Tel: +34 922 825085

E-mail: sales.canarias@acsycargo.net

Eurotransmex Handling SL
Terminal de Carga Aeropuerto Gran Canaria
Aptdo 122
35230 Las Palmas de Gran Canaria
Spain

SITA: ETMFFCR

Cargo Manager:

Tel: +34 69646062

E-mail: c.padron@etmhandling.com

Export / Import:

Tel: +34 928578954

E-mail: lpaffcr@etmhandling.com

GUANGZHOU (CAN) - CHINA

Air Logistics China Ltd.
Room 22D, Annex Tower
Guangdong International Plaza
339 Huanshi Road East, Yuexiu District
Guangzhou
China

E-mail: can@airlogisticsgroup.com

HAIL (HAS) - SAUDI ARABIA

Leisure Cargo Branch
Al Anbari Street, Al Amal
Riyadh - 11335
Saudi Arabia

SAL Saudi Logistics Services JSC
Hail
Saudi Arabia

SITA: SALSVMX

Vimal Kumar Uranghat (Sales & Services Supervisor)

Tel: +966 112967092

E-mail: vimal@leisurecargo.ae

E-mail: ruhsales@leisurecargo.ae

Mobile: +966 571998217

Subhaan Mohammed (Operations Supervisor)

Tel: +966 112967092

E-mail: mohammed.subhaan@leisurecargo.ae

E-mail: ruhcg@leisurecargo.ae

Mobile: +966 566647062

Parkar Ehtisham Ahmed (Operations Executive)

Tel: +966 112967092

E-mail: parkar@leisurecargo.ae

E-mail: ruhcg@leisurecargo.ae

Mobile: +966 505567149

Operations:

E-mail: hasstn@sal.sa

HAMBURG (HAM) - GERMANY

World Cargo Solutions GmbH
Wanheimer Strasse 45
40472 Düsseldorf
Germany

Swissport Cargo Services Deutschland GmbH
Hamburg Airport Cargo Center
Weg beim Jaeger 200 HACC Building 392
22335 Hamburg
Germany

Reservations & Customer Services

Tel: +49 211 438326-26

E-mail: reservations@world-cs.de

E-mail: sales@world-cs.de

SITA: HAMCS8X

Supervisor:

Tel: +49 40 75 66 49 300

E-mail: marco.rodriguez@swissport.com

Export:

Tel: +49 40 756649

200/201/202/203/204/205

E-mail: ham.export@swissport.de

Import:

Tel: +49 40 756649 301/302/303/304

E-mail: ham.import@swissport.de

HANNOVER (HAJ) - GERMANY

World Cargo Solutions GmbH
 Wanheimer Strasse 45
 40472 Düsseldorf
 Germany

Reservations & Customer Services:

Tel: +49 211 438326-26
 E-mail: reservations@world-cs.de
 E-mail: sales@world-cs.de

Aircargo Services Hannover GmbH
 Hans Peter Piper Strasse 8
 30855 Langenhagen
 Germany

SITA: HAJAACR

Operations Manager:

E-mail: h.gerstenkorn@ash-cargo.de

Operations:

E-mail: handling@ash-cargo.de

HAVANA (HAV) - CUBA

Aerovaradero
 Ave Van Troy y Final Aeropuerto Internacional
 Jose Marti
 Havana
 Cuba

Operations:

Tel: +53 275 1351
 E-mail: carganacional@aerovaradero.avianet.cu

HELSINKI (HEL) - FINLAND

North Air Logistics
 Airside Center, Rahtitie 3
 01530 Vantaa
 Finland

Agnete Rohde-Nielsen (Country Manager)

Tel: +358 9826 100
 E-mail: hel@northairlogistics.fi

ASR Cargo-Center
 Rahtitie 1
 01530 Vantaa
 Finland

SITA: HELVAXH

Operations Director:

Tel: +358 4001138241
 E-mail: peter.levo@cargo-center.com

Operations:

Tel: +358 103233352
 E-mail: ops@cargo-center.com
 E-mail: terminal@cargo-center.com

HERAKLION (HER) - GREECE

Skyserv SA
 Heraklion International Airport Nikos
 Kazantzakis
 Heraklion
 Greece

SITA: HERCS8X / ATHCS8X

Import:

E-mail: cargo.import@skyserv.aero

HOLGUIN (HOG) - CUBA

Aerovaradero
Carretera Central Km 11 via Bayamo
Aeropuerto Frank Pais
Holguin
Cuba

Operations:

Tel: +53 024 474621

E-mail: aerovaradero@hog.ecasa.avianet.cu

HONG KONG (HKG) - HONG KONG

Air Logistics China Ltd.
Room 705, 7/F, Tower II, Cheung Sha Wan
Plaza
833 Cheung Sha Wan Road
Kowloon
Hong Kong

Fax: +852 23280221

Tel: +852 23280278

E-mail: hkgsales@airlogisticsgroup.com

Asia Airfreight Terminal Co Ltd
10 Chun Ping Road Hong Kong International
Airport
Lantau
Hongkong

SITA: HKGFMCR / HKGFICR

Import:

E-mail: imp_doc@aat.com.hk

E-mail: ids@aat.com.hk

HYDERABAD (HYD) - INDIA

Leisure Cargo India Pvt. Ltd.
23-178/4/1, Beside Trident Hospital
Madhuranagar, Shamshabad Manadal
R.R. District, Telangana-501 218
India

Mr. Satheesh Kumar

E-mail: sales.hyd@leisurecargoindia.com

E-mail: cs.hyd@leisurecargoindia.com

Mobile: +91 91007 74792

GMR Hyderabad Air Cargo and Logistics Pvt
Ltd
Rajiv Gandhi International Airport Shamshabad
500108 Hyderabad
India

Manager Operations:

Tel: +91 40 66977018

E-mail: capt.murugan@gmrgroup.in

Deputy Manager Operations:

Tel: +91 40 66977052

E-mail: benu.kumar@gmrgroup.in

IBIZA (IBZ) - SPAIN

World Cargo Solutions S.L.

Mrs. Claudia Schacht

Tel: +34 618 612505

E-mail: pmi@wcs.es

Groundforce Cargo SLU
Terminal de Carga Aeropuerto Ibiza Edificio
Handling Zona de Servicio
07817 Ibiza
Spain

SITA: HDQACXH

Export / Import:

Tel: +34 971 809 054

E-mail: opsibz@groundforce.aero

IQUITOS (IQT) - PERU**Domestic Traffic**

International Millennium Cargo SA

Import / Export:

Tel: 511 966247578

E-mail: base.iqitos@imcperu.com

Tracing:

Tel: 511 989156752

E-mail: squispe@imcperu.com

ISLAMABAD (ISB) - PAKISTAN

Leisure Cargo Pvt. Limited
Office No. 04, Choudhry Plaza App
Air Eagle Charter Office
B.B.I Airport, Rawalpindi-Pakistan
44000 Rawalpindi
Pakistan

Tel: +92 51 5161282-3

E-mail: adeeb@leisurecargo.pk

Shaheen Airport Services SAPS
Benazir Bhutto International Airport
Islamabad
Pakistan

SITA: ISBSCXH

Admin:

Tel: +92 51 59055803

E-mail: cgoadminisb@saps.com.pk

Export:

Tel: +92 51 59055803 243

E-mail: cgoisb@gmail.com

Import:

Tel: +92 51 59055803 233

E-mail: cgoimpisb@gmail.com

ISTANBUL (IST) - TURKEY

Leisure Kargo Tasimacilik ve Ticaret A.S.
Meydankavagi Mah. 1561 Sok.
Deniz Apt. No:53 D:6
Muratpasa
07200 Antalya
Turkey

Tel: +90 242 312 4144 / 45

E-mail: info@leisurecargo.com.tr

Havas AS
Istanbul
Turkey

SITA: ISTFFXH

Operations / Import

Tel: +90 2124655757 / 51352

E-mail: istcgocom@havas.net

ISTANBUL (SAW) - TURKEY

Leisure Kargo Tasimacilik ve Ticaret A.S.
Meydankavagi Mah. 1561 Sok.
Deniz Apt. No:53 D:6
Muratpasa
07200 Antalya
Turkey

Tel: +90 242 312 4144 / 45
E-mail: info@leisurecargo.com.tr

WCS Turkey
Istanbul Sabiha Gökçen Havalimani Kargo
Terminali 3 to 4 No lu Depolar Solmaz
Warehouse
34906 Istanbul
Turkey

Operations:
Tel: +90 216 588 0312 / 22
E-mail: saw@solmaz.com

Tracking / Tracing:
Tel: +90 549 827 53 40
E-mail: opspgs@wcs-turkey.com

İZMİR (ADB) - TURKEY

Leisure Kargo Tasimacilik ve Ticaret A.S.
Meydankavagi Mah. 1561 Sok.
Deniz Apt. No:53 D:6
Muratpasa
07200 Antalya
Turkey

Tel: +90 242 312 4144 / 45
E-mail: info@leisurecargo.com.tr

Havas AS
Adnan Menderes Airport
35410 Izmir
Turkey

SITA: ADBFFXH

Operations / Import
Tel: +90 232 274 20 84
E-mail: adbcgo@havas.net

JAKARTA (CGK) - INDONESIA

JAS Airport Services
Soekarno Hatta International Airport Soewarna
Business Park
19110 Banten
Indonesia

SITA: CGKAFXH

Manager Export Services:
Tel: +62 812 9972 614
E-mail: dwirawan.kilatmono@ptjas.co.id

Export Duty Manager:
Tel: +62 21 550 7271
E-mail: cgkwh.spvexport@ptjas.co.id

Manager Import Services:
Tel: +62 812 10217 429
E-mail: denny.barauntu@ptjas.co.id

Import Tracing:
Tel: +62 21 550 7272
E-mail: cgkwh.tracingimp@ptja.co.id

JEDDAH (JED) - SAUDI ARABIA

Leisure Cargo Branch
Al Anbari Street, Al Amal
Riyadh - 11335
Saudi Arabia

Zuheb Zahid (Sr. Sales & Services Executive)

Tel: +966 12642740

E-mail: zuheb@leisurecargo.ae

E-mail: jedsales@leisurecargo.ae

Mobile: +966 531067235

Nabeel Tha Kidyal (Sales & Services Executive)

Tel: +966 12642740

E-mail: nabeel@leisurecargo.ae

E-mail: jedcgo@leisurecargo.ae

Mobile: +966 535492488

SATS

King Abdulaziz International Airport

Jeddah

Saudi Arabia

SITA: JEDCAXH

Duty Manager:

Tel: +966 530 823 885

E-mail: jais.roslan@sats.com.sa

Operations:

E-mail: jed_operations@sats.com.sa

Customer Service:

E-mail: jed_care@sats.com.sa

JINAN (TNA) - CHINA

FOR BOOKINGS PLS CONTACT SHANGHAI
OFFICE

JIZAN (GIZ) - SAUDI ARABIA

Leisure Cargo Branch
Al Anbari Street, Al Amal
Riyadh - 11335
Saudi Arabia

SAL Saudi Logistics Services JSC

Dschaizan

Saudi Arabia

SITA: SALS VXH

Zuheb Zahid (Sr. Sales & Services Executive)

Tel: +966 12642740

E-mail: zuheb@leisurecargo.ae

E-mail: jedsales@leisurecargo.ae

Mobile: +966 531067235

Nabeel Tha Kidyal (Sales & Services Executive)

Tel: +966 12642740

E-mail: nabeel@leisurecargo.ae

E-mail: jedcgo@leisurecargo.ae

Mobile: +966 535492488

Operations:

E-mail: gizstn@sal.sa

KARACHI (KHI) - PAKISTAN

Leisure Cargo Pvt. Limited
 Export Cargo Complex, Jiap Karachi-Pakistan
 72500 Karachi
 Pakistan

Tel: +92 21 34602227-8
 E-mail: adeeb@leisurecargo.pk

For Jazeera

Gerry's Dnata (Pvt) Ltd
 Room No 5016 Jinnah Terminal International
 Airport
 75200 Karachi
 Pakistan

Cargo Manager:

Tel: +92 3000569019
 E-mail: azhar.zahir@gerrysdnata.com
 E-mail: m.imran@gerrysdnata.com

Operation Manager:

E-mail: gamar.islam@gerrysdnata.com
 E-mail: nouman.farooqui@gerrysdnata.com

Import Manager:

E-mail: adnan.ansari@gerrysdnata.com

For Pegasus

Shaheen Airport Services SAPS
 SAPS Complex Malir Avenue Jinnah
 International Airport
 75200 Karachi
 Pakistan

SITA: KHIASXH / KHIOPXH

Operations:

Tel: +922 199071930
 E-mail: cgokhi@saps.com.pk

Export:

E-mail: mexpkhi@saps.com.pk

Import:

E-mail: mimpkhi@saps.com.pk

For Flynas

Royal Airport Services Ltd.
 Jinnah International Airport Room No 5021
 Level 5
 75200 Karachi
 Pakistan

SITA: KHIRAXH

Manager Cargo:

Tel: +922 199071733
 E-mail: raskhicgomgr@ras.com.pk

Import:

Tel: +922 134598055
 E-mail: raskhicgoam@ras.com.pk

KATHMANDU (KTM) - NEPAL

Topline World Wide Cargo Services Pvt. Ltd.
 Tridevi Margo - 29
 Thamel Kathmandu
 Nepal

Tel: +977 01 4419913
 E-mail: info@toplinecargo.com

Nepal Airlines Corporation
 Tribhuvan International Airport
 Kathmandu
 Nepal

SITA: KTMFFRA / KTMFCRA

Operations:

Tel: +977 141130 65
 Tel: +977 141130 26
 Tel: +977 14470 140
 E-mail: cargointl@nac.com.np
 E-mail: warehouse.cargo@nac.com.np

KAYSERI (ASR) - TURKEY

Havas AS
 Kayseri Erkilet Havalimani
 Kayseri
 Turkey

SITA: ASRUSXH

Operations:

Tel: +90 352 337 6994
 E-mail: asrops@havas.net

KHARKIV (HRK) - UKRAINE

Cargolight LLC
 O. Mishugi Street
 10 Bld., Office 303
 02141 Kyiv
 Ukraine

Tel: +380 44277-23-22
 E-mail: office@cargolight.com

Kharkiv Airport
 Romashkina St 1
 61000 Kharkiv
 Russia

Operations:

E-mail: office1@palex-express.com
 E-mail: cargo@hrk.aero

KHARTOUM (KRT) - SUDAN

Fareast Travel and Tourism Company Ltd.
 1/7 Block 6 H East Elgigumi Street
 PO Box 1912, Khartoum
 Sudan

Tel: +249 183 798 620
 E-mail: wisam@itrade-fz.com

BADR Ground Handling
 Khartoum International Airport
 Airport Hangar No 57
 Khartoum
 Sudan

SITA: KRTFMXH

Operations / Import

E-mail: cargo@badrgroundhandling.com
 E-mail: ops@badrgroundhandling.com

KIEV (KBP) - UKRAINE

Cargolight LLC
O. Mishugi Street
10 Bld., Office 303
02141 Kyiv
Ukraine

Tel: +380 44277-23-22
E-mail: office@cargolight.com

CITT AVIA Center of International
Transportation and Tourism
Boryspil International Airport 3rd Floor
Administration Bldg Room 135
Kyiv
Ukraine

Operations:
Tel: +380 442817751
E-mail: cargo-ops@kbp.aero

Supervisor:
Tel: 380 442817426
E-mail: cargosupervisor@kbp.aero

KONYA (KYA) - TURKEY

Leisure Kargo Tasimacilik ve Ticaret A.S.
Meydankavagi Mah. 1561 Sok.
Deniz Apt. No:53 D:6
Muratpasa
07200 Antalya
Turkey

Tel: +90 242 312 4144 / 45
E-mail: info@leisurecargo.com.tr

KRASNODAR (KRR) - RUSSIAN FEDERATION

Alliance Cargo Russia
Office 301, 9, Mislavskogo Street
Kazan 420111
Russia

Tel: +7 917 2443252
Tel: +7 843 5908347
E-mail: alina.safina@alliance.cargo.ru

Krasnodar Airport
Ulitsa Yevdokii Bershanskoy 355
350912 Krasnodar
Russia

Operations:
Tel: +7 861 219 15 85
E-mail: cargo@airport-krr.ru

KUALA LUMPUR (KUL) - MALAYSIA

ABDA Aviation Sdn Bhd
Suite 33A-1, Level 33A Q Sentral
2A Jalan Stesen Sentral 2
Kuala Lumpur Sentral
50470 Kuala Lumpur
Malaysia

KUWAIT CITY (KWI) - KUWAIT

National Aviation Services
PO Box 301
Farwaniya 81014
Kuwait

Tel: +965 66020177
E-mail: arun@abdagroup.ae

National Aviation Services
Farwaniya Kuwait International Airport
81014 Kuwait City
Kuwait

SITA: KWIFEXH / KWIFGXH / KWIPWXH

Cargo Duty Officer:

Tel: +965 24372212
E-mail: naskwcargodutyofficer@nas.aero
E-mail: cdo@nas.aero

Cargo Duty Supervisor:

Tel: +965 24372234 / 276
E-mail: naskwcargodutysupervisors@nas.aero
E-mail: naskwcargocustomerservice@nas.aero

Tracing:

E-mail: naskwcargotracing@nas.aero

LA ROMANA (LRM) - DOMINICAN REPUBLIC

WCS Dominicana S.R.L.
Manuel de Jesus Troncoso No. 24, Suite 201
Ensanche Piatini, Santo Domingo
Dominican Republic

Tel: +1 809 769 0828
Tel: +1 829 269 0828
E-mail: reservas@wcs-dominicana.com

WCS Dominicana
La Romana Cargo Terminal La Romana
International Airport
22000 La Romana
Dominican Republic

Operations:

Tel: +809 3904396
Tel: +809 8139044
E-mail: lrm.cargo@caribecargo.net

LAHORE (LHE) - PAKISTAN

Leisure Cargo Pvt. Limited
 Office No. 10-11 & 13 Royal Airport Services
 Cargo Complex, Allama Iqbal International
 Airport
 54000 Lahore
 Pakistan

Tel: +92 42 36628670-1
 E-mail: adeeb@leisurecargo.pk

For Flynnas

Royal Airport Services Ltd.
 Allama Iqbal International Airport Room No
 3186 89 Level 3
 Lahore
 Pakistan

Export:

Tel: +924 236628741 44
 E-mail: rasilheexp@ras.com.pk

Import:

Tel: +924 236628741 43
 E-mail: rasilheimp@ras.com.pk

For Pegasus

Shaheen Airport Services SAPS
 Cent Punjab
 Lahore
 Pakistan

SITA: LHECGXH

Operations:

Tel: +924 2366286017
 E-mail: cgolhe@saps.com.pk

Import:

E-mail: amimplhe@saps.com.pk

For Jazeera

Gerry's Dnata
 Room 4204 New Terminal Complex Level 4
 Allama Iqbal International Airport
 Lahore
 Pakistan

SITA: LHEKXXH

Cargo Manager Export:

Tel: +92 300 0603796
 E-mail: javed.mumtaz@gerrysdnata.com

Lead Operations:

Tel: +92 300 0561875
 E-mail: imtiaz.ahmed@gerrysdnata.com
 E-mail: awais.mir@gerrysdnata.com

Duty Officer:

Tel: +92 300 4936006
 E-mail: muhammad.faisal@gerrysdnata.com
 E-mail: talha.hassan@gerrysdnata.com

LANZAROTE ISLAND (ACE) - SPAIN

Airline Cargo System S.L.
C/Vereda Del Medio N.81
38350 Tacoronte Santa Cruz de Tenerife
Spain

Tel: +34 922 825085
E-mail: sales.canarias@acsycargo.net

Eurotransmex Handling SL
Terminal de Carga Aeropuerto Guacimeta
35500 Arrecife
Spain

SITA: ACEFFCR

Cargo Manager:

Tel: +34 616 696199
E-mail: s.mercado@etmhandling.com

Export / Import:

Tel: +34 928 822736
E-mail: aceffcr@etmhandling.com

LEEDS (LBA) - UNITED KINGDOM

World Flight Services Ltd.
Cargo Shed 1 Leeds Bradford Airport
LS19 7TU Leeds
United Kingdom

SITA: HDQWWXH

General Operations:

Tel: +44 0113 250 2669
E-mail: leeds@wfs.aero

LEIPZIG (LEJ) - GERMANY

World Cargo Solutions GmbH
Wanheimer Strasse 45
40472 Düsseldorf
Germany

Reservations & Customer Services:

Tel: +49 211 438326-26
E-mail: reservations@world-cs.de
E-mail: sales@world-cs.de

PortGround GmbH
Hans Wittwer Strasse 6
World Cargo Center Entry 2 or Entry 4
04435 Schkeuditz
Germany

SITA: LEJFFXH / LEJFCXH

Supervisor:

Tel: +49 341 224 2197
E-mail: supervisor.cargo@portground.com

Export:

Tel: +49 341 224 2195 / 2196 / 2198
E-mail: export@portground.com

Import:

Tel: +49 341 224 2101 / 2103 / 2104
E-mail: import@portground.com

LILLE/LESQUIN (LIL) - FRANCE

WFS France Handling
Rue de fret Aerogare de fret
59810 Lesquin
France

SITA: RSYFMXH

Operations / Import

E-mail: lilteam@wfs.aero

LINZ (LNZ) - AUSTRIA

Flughafen Linz GmbH
Flughafenstrasse 1
4063 Linz
Austria

SITA: LNZCAXH

Operations / Import

Tel: +43 72216001806

E-mail: cargo@linz-airport.com

LISBON (LIS) - PORTUGAL

World Cargo Solutions Spain S.L.
Avd. Central 37 1° Edificio WFS 2
Aeroporto de Madrid-Barajas
28042 Madrid
Spain

Mr. José Rodríguez Ortiz (Operations Department)

Tel: +34 917223891

E-mail: info@wcs.es

E-mail: jrodriguez@wcs.es

Mr. Angel Gimenez Duchaussoy (Director)

Tel: +34 649687758

E-mail: agimenez@wcs.es

:

Portway Handling Portugal SA
Terminal Carga Portway Edificio 133
Aeroporto Humberto Delgado
1750 364 Lisbon
Portugal

SITA: LISFIXH / LISFKXH

Supervisor:

Tel: +351 21 844 5172 / 841 3631

E-mail: bruno.costa@portway.pt

Export:

Tel: +351 21 844 5172 / 841 3631

E-mail: opercarga@portway.pt

Import:

Tel: +351 21 844 5172 / 841 3631

E-mail: imporcargalis@portway.pt

LIVERPOOL (LPL) - UNITED KINGDOM

Wynne Aviation
 Transit Shed No 1
 Liverpool John Lennon Airport
 L24 1YD Liverpool
 United Kingdom

Operation Supervisors:

Tel: +44 0151 486 6228
 E-mail: helen@wynneaviation.co.uk

Duty Manager:

Tel: +44 0151 486 6228
 E-mail: ian@wynneaviation.co.uk

LONDON (LTN) - UNITED KINGDOM

World Flight Services Ltd
 President Way London Luton Airport
 LU2 9NL Bedfordshire
 United Kingdom

SITA: LONABXH

Duty Manager:

Tel: +44 01582 395231
 E-mail: ltncargo@ltn.aero

LONDON (LGW) - UNITED KINGDOM

Air Logistics Limited
 Donington Court
 Pegasus Business Park, Castle Donington
 Derby DE74 2UZ
 UK

Fax: +44 1332 810302
 Tel: +44 1332 850021
 E-mail: pegasus@airlogistics.co.uk
 E-mail: jazeera@airlogistics.uk

World Flight Services Ltd.
 Units 8/9/10 Forecourt Road
 World Cargo Center LGW
 RH6 0SQ Gatwick
 United Kingdom

SITA: HDQWWXH

Customer Service Manager:

Tel: +44 1293 555497
 E-mail: gheal@wfs.aero

Warehouse Supervisor:

Tel: +44 1293 555486
 E-mail: lgewhsupervisor@wfs.aero

Ops Supervisor:

Tel: +44 1293 555493
 E-mail: lgwsupervisor@wfs.aero

LONDON (LHR) - UNITED KINGDOM

Air Logistics Limited
 Donington Court
 Pegasus Business Park, Castle Donington
 Derby DE74 2UZ
 UK

Fax: +44 1332 810302
 Tel: +44 1332 850021
 E-mail: pegasus@airlogistics.co.uk
 E-mail: jazeera@airlogistics.uk

World Flight Services Ltd.
 Building 875 Scylla Road London Heathrow
 Airport
 TW6 3YH Middlesex
 United Kingdom

SITA: HDQWWXH

Duty Manager:

E-mail: lhr550dutymanagers@wfs.aero

Operations:

E-mail: lhr.549supervisors@wfs.aero
 E-mail: lhr.550bops@wfs.aero

LONDON (STN) - UNITED KINGDOM

Air Logistics Limited
 Donington Court
 Pegasus Business Park, Castle Donington
 Derby DE74 2UZ
 UK

Fax: +44 1332 810302
 Tel: +44 1332 850021
 E-mail: pegasus@airlogistics.co.uk
 E-mail: jazeera@airlogistics.uk

Swissport International Ltd.
 Unit B Cargo Terminal Stanstad Airport
 Stansted CM24 1QJ
 United Kingdom

SITA: STNCS8X / STNAPXH

Export General Operations:

Tel: +44 1279 680508
 E-mail: stn.ops@swissport.com

Export Duty Manager:

Tel: +44 1279 680508
 E-mail: stn.cargodm@swissport.com

Export / Import Supervisor:

Tel: +44 1279 680508
 E-mail: stn.cargodo@swissport.com

LUXOR (LXR) - EGYPT

EgyptAir Cargo
 Monshaat Al Amari
 Luxor
 Egypt

Cargo Manager:

Tel: +20 1202524231
 E-mail: lxr_ff@egyptair.com
 E-mail: lxr_fc@egyptair.com

LVIV (LWO) - UKRAINE

Cargolight LLC
O. Mishugi Street
10 Bld., Office 303
02141 Kyiv
Ukraine

Tel: +380 44277-23-22
E-mail: office@cargolight.com

Lviv Danylo Halytskyi International Airport
Liubinska St 168
79000 Lviv
Ukraine

Operations:

Tel: +38 032 229 85 20
E-mail: a.sarafanyuk@airport.lviv.ua

LYON (LYS) - FRANCE

ATC Aviation Services SA
BP 13 526
95709 Roissy CDG Cedex
France

Fax: +33 1 70 03 80 50
Tel: +33 1 70 03 80 49
Tel: +33 6 72 27 38 72
E-mail: baldas@atc-aviation.com
E-mail: monier@atc-aviation.com

SFS - Societé de Fret et de Services (WFS)
275 Rue d'Islande BP 333 Cargoport
69125 Lyon
France

Export:

E-mail: lysexp@wfs.aero

Import:

E-mail: lysimp@wfs.aero

MAASTRICHT (MST) - NETHERLANDS

Airline Management Services BV
Singaporestraat 9-11
1175RA Lijnden
The Netherlands

Tel: +31 20 2382600
E-mail: info@ams-gsa.nl
Mobile: +31 649404970
SITA: AMSFFLT

Maastricht Aachen Airport
Portugallaan 11
6199 Maastricht
Netherlands

SITA: MSTFHXX

Export:

Tel: +31 43 358 9720
E-mail: export@maa.nl

Import:

Tel: +31 43 358 9720
E-mail: import@maa.nl

MADRID (MAD) - SPAIN

World Cargo Solutions Spain S.L.
 Avd. Central 37 1º Edificio WFS 2
 Aeropuerto de Madrid-Barajas
 28042 Madrid
 Spain

Mr. José Rodríguez Ortiz (Operations Department)
 Tel: +34 917223891
 E-mail: info@wcs.es
 E-mail: jrodriguez@wcs.es
 Mr. Angel Gimenez Duchaussoy (Director)
 Tel: +34 649687758
 E-mail: agimenez@wcs.es

:

Worldwide Flight Services Servicios
 Aeropuertos
 Centro de Carga Aerea Parcela 1 2b Edil WFS
 28042 Madrid
 Spain

SITA: CDGGQXH

Operations:

E-mail: ops.mad@wfs.aero

Supervisor:

Tel: +34 609 173 200

E-mail: supervisors.mad@wfs.aero

Tracing:

E-mail: tracing.mad@wfs.aero

MÁLAGA (AGP) - SPAIN

World Cargo Solutions Spain S.L.
 Avd. Central 37 1º Edificio WFS 2
 Aeropuerto de Madrid-Barajas
 28042 Madrid
 Spain

Mr. José Rodríguez Ortiz (Operations Department)
 Tel: +34 917223891
 E-mail: info@wcs.es
 E-mail: jrodriguez@wcs.es
 Mr. Angel Gimenez Duchaussoy (Director)
 Tel: +34 649687758
 E-mail: agimenez@wcs.es

:

WFS Servicios Aeroportuarios SA
 Avenida Garcia Morato Nueva Terminal de
 Carga Aeropuerto de Malaga
 29004 Malaga
 Spain

Tel: +34 952 048 671

E-mail: operacionesagp@groundforce.aero

SITA: HDQACXH

MALÉ (MLE) - MALDIVES

Abda Aviation Lanka Pvt. Ltd.
No. 466 2/1, Thibirigasyaya Road
Colombo 05
Sri Lanka

Fax: +94 1120556 95
Tel: +94 1120556 91-94
E-mail: gosc@abda.lk

MACL
Airport Main Road
22000 Male
Maldives

SITA: MLEFFXH

Duty Manager:

Tel: +960 777 5457 333 7248
E-mail: cargo.dutymanager@macl.aero

Customer Service:

Tel: +960 777 5457 331 4654
E-mail: cargo.customerservices@macl.aero

Export:

Tel: +960 777 5457 333 7813
E-mail: cargo.export@macl.aero

Import:

Tel: +960 777 5457 333 7258
E-mail: cargo.import@macl.aero

MALMÖ (MMX) - SWEDEN

North Air Logistics
Box 96, Arlanda
190 45 Stockholm
Sweden

Tel: +46 859360045
E-mail: ep@northairlogistics.se

MANAMA (BAH) - BAHRAIN

Al Sharif Holding
Building 1315A, Road 114
HIDD 101, PO Box 1322
Bahrain Investment Gateway Island
Bahrain

Fax: +973 17515051
Tel: +973 17515050
E-mail: ff.aircargo@shippingbahrain.com

Bahrain Airport Services
Bahrain International Airport
Bahrain City
Bahrain

SITA: BAHFMXH / BAHFYGF

Manager Cargo Services:

Tel: +973 17 321804
E-mail: karazaq@bas.com.bh

Duty Officer:

Tel: +973 17 321810 / 12
E-mail: bahexp@bas.com.bh
E-mail: cdos@bas.com.bh

Tracing:

E-mail: bahcargo.tracing@bas.com.bh

Duty Officer:

Tel: +973 17 321818 / 19
E-mail: bahimp@bas.com.bh

MANCHESTER (MAN) - UNITED KINGDOM

Air Logistics Limited
 Donington Court
 Pegasus Business Park, Castle Donington
 Derby DE74 2UZ
 UK

Fax: +44 1332 810302
 Tel: +44 1332 850021
 E-mail: pegasus@airlogistics.co.uk
 E-mail: jazeera@airlogistics.co.uk

World Flight Services Ltd
 Building 300 Manchester Freight Terminal
 M90 5BA Manchester
 United Kingdom

SITA: HDQWWXH

General Operations:

Tel: +44 161 2097623
 E-mail: manops@wfs.aero

Warehouse Supervisor:

Tel: +44 161 2097620
 E-mail: manwhsupervisor@wfs.aero

Ops Supervisor:

Tel: +44 161 2097620
 E-mail: manofficespsvror@wfs.aero

MARSEILLE (MRS) - FRANCE

ATC Aviation Services SA
 BP 13 526
 95709 Roissy CDG Cedex
 France

Fax: +33 1 70 03 80 50
 Tel: +33 1 70 03 80 49
 Tel: +33 6 72 27 38 72
 E-mail: baldas@atc-aviation.com
 E-mail: monier@atc-aviation.com

France Cargo Handling FCH
 Aéroport Marseille Provence Pole Fret 2
 Marignane 13700
 France

SITA: FCHCSXH (in) / MRSCS8X (out)

Team Leader

Tel: +33 488605451

Export:

Tel: +33 488605452
 E-mail: export.mrs@fch.aero
 E-mail: exploitation.mrs@fch.aero

Import:

Tel: +33 488605450 / 52
 E-mail: import.mrs@fch.aero

MEDINA (MED) - SAUDI ARABIA

Leisure Cargo Branch
 Al Anbari Street, Al Amal
 Riyadh - 11335
 Saudi Arabia

Zuheb Zahid (Sr. Sales & Services Executive)

Tel: +966 12642740
 E-mail: zuheb@leisurecargo.ae
 E-mail: jedsales@leisurecargo.ae
 Mobile: +966 531067235

Nabeel Tha Kidyal (Sales & Services Executive)

Tel: +966 12642740
 E-mail: nabeel@leisurecargo.ae
 E-mail: jedcgo@leisurecargo.ae
 Mobile: +966 535492488

MENDOZA (MDZ) - ARGENTINA

Handyway Cargo

Operations:

E-mail: aaltagaveite@handywaycargo.com

E-mail: cristiannagel.handyway@latam.com

MEXICO CITY (MEX) - MEXICO

ACSY CARGO Mexico España S.A. de C.V.
 Plaza LuxurynLocal 12, 1er Piso
 Carretera Cancun Aeropuerto KM 15
 77565 Cancun, Quintana ROO
 Mexico

Tel: +525 998 886 2855

E-mail: maggie@acsycargo.net

E-mail: service@acsycargo.net

MILAN (MXP) - ITALY

MJM Aviation Cargo Services Srl
 Via Gabriele d'Annunzio 2
 Aeroporto Malpensa
 21019 Vizzola Ticino
 Italy

Tel: +39 0331 108 8674

E-mail: info.mxp@mjmcargo.it

For NEOS

Beta-Trans

Aeroporto Milano Malpensa

Cargo City Sud M235

21015 Lonate Pozzolo

Italy

SITA: MILBT8X

Operations:

Tel: +39 0331 1358132 / 33

E-mail: magazzino.mxp@betatrans.it

Import:

Tel: +39 0331 1358135

E-mail: cessione.documentale@betatrans.it

For Alba Star

Alha Airport MXP SpA

Cargo City Building E and F

21015 Milan

Italy

SITA: QPRMXXH

Duty Manager:

E-mail: dutymanager.mxp@alhagroup.com

Export:

E-mail: exportspv.mxp@alhagroup.com

Import:

E-mail: importspv.mxp@alhagroup.com

MINERALNYYE VODY (MRV) - RUSSIAN FEDERATION

Alliance Cargo Russia
Office 301, 9, Mislavskogo Street
Kazan 420111
Russia

Tel: +7 917 2443252
Tel: +7 843 5908347
E-mail: alina.safina@alliance.cargo.ru

Mineralnye Vody Airport
Mineralnye Vody Airport
357 205 Mineralnye Vody
Russia

Operations:
E-mail: f.nagaev@mrv-cargo.ru

MOMBASA (MBA) - KENYA

Skajo Airline Handling Agency Ltd.
Freight Terminal
Moi International Airport
Mombasa
Kenya

Tel: +254 733 430 601
Tel: +254 733 453 050
E-mail: skajomombasa@gmail.com
E-mail: skajokenya@gmail.com

Kenya Airways Cargo
Mombasa International Airport Freight Terminal
Mombasa
Kenya

MONTEGO BAY (MBJ) - JAMAICA

AJAS Cargo Ltd.
Sangster International Airport
Montego Bay
Jamaica

AJAS Limited
Sangster International Airport
Montego Bay
Jamaica

MONTEVIDEO (MVD) - URUGUAY

Handyway Cargo

Import:

Tel: +598 2 6009768
E-mail: milton.gonzalez_mvd@handywaycargo.com
E-mail: ccalifre@handywaycargo.com
E-mail: cnagel@handywaycargo.com
Mobile: +598 9 4437212

Export:

Tel: +598 2 6009768
E-mail: milton.gonzalez_mvd@handywaycargo.com
E-mail: acarcagno@handywaycargo.com
E-mail: cnagel@handywaycargo.com
Mobile: +598 9 4437212

MONTRÉAL (YUL) - CANADA

Abda Aviation
 3333 Graham Blvd.
 Suite 600
 H3R 35L Montreal
 Canada

Tel: +1 905 671 1058
 E-mail: sales@abda-aviation.ca
 E-mail: ops@abda-aviation.ca

MOSCOW (DME) - RUSSIAN FEDERATION

Alliance Cargo Russia
 Office 301, 9, Mislavskogo Street
 Kazan 420111
 Russia

Tel: +7 917 2443252
 Tel: +7 843 5908347
 E-mail: alina.safina@alliance.cargo.ru

JSC Domodedovo Commercial Services
 Domodedovo Airport Building 7
 142015 Moscow
 Russia

SITA: DMEGDP7

Operations:

Tel: +7 495 967 84 85
 E-mail: cargo@davs.ru
 E-mail: trc@dme.ru
 E-mail: dmeops@dme.ru

MUMBAI (BOM) - INDIA

Leisure Cargo India Pvt. Ltd.
 Rangoli Building 601, 6th Floor, Sahar Cargo
 Complex
 Sahar Road; Andheri East
 400 099 Mumbai
 India

Ms. Reena Clement
 E-mail: reena@aerosailgssaindia.com
 E-mail: cs.bom@leisurecargoindia.com
 Mobile: +91 9920034168

Mumbai Cargo Service Center Airport Pvt. Ltd.
 B201 Polaris Off Marol Maroshi Road
 400 059 Mumbai
 India

SITA: BOMKCXH

Export / Import:

Tel: +91 9004981789
 Tel: +91 9833138212
 E-mail: yogesh.patange@gvk.com
 E-mail: edwin.dsouza@gvk.com
 E-mail: subodh.thakur@gvk.com
 E-mail: nasi.mohamed@gvk.com
 E-mail: shiftops.imports@gvk.com

MUNICH (MUC) - GERMANY

World Cargo Solutions GmbH
 Berghamer Strasse 10
 85435 Erding
 Germany

Mr. Herbert Theil (Sales Manager)
 Tel: +49 211 438326-27
 E-mail: herbert.theil@world-cs.de
 Mobile: +49 173 7910365
 Mrs. Ricarda Stubenrauch (Officer Sales &
 Reservations)
 Tel: +49 211 438326-25
 E-mail: ricarda.stubenrauch@world-cs.de
 Mobile: +49 162 7678247

Reservations & Customer Services

Tel: +49 211 438326-26
 E-mail: reservations@world-cs.de
 E-mail: sales@world-cs.de

Cargogate Flughafen München
 Flughafen München
 85327 München
 Germany

SITA: MUCXKXH

Head of Operations:

Tel: +49 89 975 92312
 E-mail: uemit.mandirali@munich-airport.de

Export:

Tel: +49 89 975 92284
 E-mail: docs-export.cargogate@munich-airport.de
 E-mail: sl-export.cargogate@munich-airport.de

Import:

Tel: +49 89 975 92280
 E-mail: docs-import.cargogate@munich-airport.de
 E-mail: sl-import.cargogate@munich-airport.de

MÜNSTER (FMO) - GERMANY

World Cargo Solutions GmbH
 Wanheimer Strasse 45
 40472 Düsseldorf
 Germany

Reservations & Customer Services

Tel: +49 211 438326-26
 E-mail: reservations@world-cs.de
 E-mail: sales@world-cs.de

WISAG FMO Cargo Service GmbH & Co. KG
 Airportallee 1
 48268 Greven
 Germany

SITA: FMOFF7X

Operations Manager:

E-mail: michael.werning@fmo-cargo.de

Customer Service / Import

Tel: +49 2571 943200
 E-mail: fmo.wcs.servicecenter@wisag.de

MUSCAT (MCT) - OMAN

Blue Eagle Logistics LLC
 Building No. 443 Way No. 3109, Al Noor Street
 Ruwi Muscat
 Oman

Fax: +968 24521852
 Tel: +968 99235322
 Tel: +968 99341634
 E-mail: s.philips@kr.om

Transcom SATS Cargo
 Muscat International Airport Cargo Terminal
 111 Muscat
 Oman

SITA: MCTGHWY

Supervisor:

E-mail: cargoacceptancesupervisor@transcor
 E-mail: importcargosupervisor@transcom.om

Export:

E-mail: exportcargosupervisor@transcom.om

Tracing:

E-mail: tracing.unit@transcom.om

:

Import:

E-mail: cargo.reception@transcom.om

NAJAF (NJF) - IRAQ

Watania Air
 Muthana Street, Watania Air Building
 Najaf
 Iraq

Tel: +964 7502225000
 Tel: +964 7904451399
 E-mail: halturaihi@wataniaair.com

Pegasus Cargo Limited
 Al Najaf Al Ashraf International Airport Gate 18
 Office
 Najaf
 Iraq

Operations:

Tel: +964 7732859444
 E-mail: mohaimen.mohammed@copperchase
 E-mail: anmar.mousa@copperchase.iq

NAMANGAN (NMA) - UZBEKISTAN

International Airport Namangan
 Namangan
 Uzbekistan

NANJING (NKG) - CHINA

Air Logistics China Ltd.
Room 868, Jinling Asia Pacific Tower Center
No. 2 Hanzhong Road, Gulou District
Nanjing
China

E-mail: nkg@airlogistics.com

Eastern Airports Co Ltd
Nanjing Lukou International Airport Office
Building
Nanjing
China

SITA: NKGFF8X

Export:

Tel: +86 25 69820584
E-mail: cargo_cp@163.com

Customer Service:

Tel: +86 25 69820376
E-mail: yanxd@njairport.cn

Import:

Tel: +86 25 69820189
E-mail: jg@njairport.cn

NEJHRAN (EAM) - SAUDI ARABIA

Leisure Cargo Branch
Al Anbari Street, Al Amal
Riyadh - 11335
Saudi Arabia

Zuheb Zahid (Sr. Sales & Services Executive)

Tel: +966 12642740
E-mail: zuheb@leisurecargo.ae
E-mail: jedsales@leisurecargo.ae
Mobile: +966 531067235

Nabeel Tha Kidyal (Sales & Services Executive)

Tel: +966 12642740
E-mail: nabeel@leisurecargo.ae
E-mail: jedcgo@leisurecargo.ae
Mobile: +966 535492488

SAL Saudi Logistics Services JSC
Nadschran
Saudi Arabia

SITA: SALSVDX

Operations:

E-mail: eamstn@sal.sa

NEUQUEN (NQN) - ARGENTINA

Handyway Cargo

Operations:

E-mail: aaltagaveite@handywaycargo.com
E-mail: cristiannagel.handyway@latam.com

NEW DELHI (DEL) - INDIA

Leisure Cargo India Pvt.Ltd.
 Room Nr.3, Public Amenities Building
 Cargo Complex
 IGI Airport
 110037 New Delhi
 India

Sales:

Tel: +91 11 47282217
 E-mail: ops.del@leisurecargoindia.com
 E-mail: sales.del@leisurecargoindia.com

Çelebi Delhi Cargo Terminal Management India
 Pvt. Ltd.
 Room No CE 05 First Floor Import 2 Building
 International Cargo Terminal IGI Airport New
 Delhi
 110037 New Delhi
 India

SITA: DELCMXH

Operations:

E-mail: international.cargocell@celebiaviation.

NEW YORK (JFK) - UNITED STATES

Abda Aviation
 JFK International Airport
 Queens
 USA

Tel: +1 905 671 1058
 E-mail: ops@abda-aviation.ca
 E-mail: sales@abda-aviation.ca

MSN Air Service Inc.
 Building 263B North Hangar Road
 Cargo Area D JFK International Airport
 11430 Jamaica
 USA

SITA: JFKMSXH

Operations:

Tel: +1 718 2447777
 E-mail: neos@msnairservice.com
 E-mail: msn.cargo@edi.champ.aero

NEWCASTLE (NCL) - UNITED KINGDOM

World Flight Services Ltd
 Unit 2 Building 1 Airport Freight Village
 Newcastle Airport
 NE13 8BH Newcastle upon Tyne
 United Kingdom

SITA: HDQWWXH

General Operations:

Tel: +44 0191 286 0399
 E-mail: ncl@wfs.aero

Operations Supervisor:

E-mail: nclsupervisors@wfs.aero

NICE (NCE) - FRANCE

ATC Aviation Services SA
 BP 13 526
 95709 Roissy CDG Cedex
 France

Fax: +33 1 70 03 80 50
 Tel: +33 1 70 03 80 49
 Tel: +33 6 72 27 38 72
 E-mail: baldas@atc-aviation.com
 E-mail: monier@atc-aviation.com

Société de Fret et de Services WFS
 Arogare de Fret
 06281 Nice
 France

Operations Manager:
 E-mail: fbernardi@wfs.aero

Export:
 E-mail: nceexp@wfs.aero

Import:
 E-mail: nceimp@wfs.aero

NICOSIA (ECN) - CYPRUS

Cyprus Aviation Ltd.
 Marmara Bolgesi, 8 Sokak No. 1
 Lefkosa
 Cyprus

Tel: +90 533 861 7557
 E-mail: r.soylukal@cyprusxp.com

CYXP Aviation Ltd
 Ercan International Airport
 Ercan
 Cyprus

Operations:
 E-mail: b.can@cyprusxp.com
 E-mail: e.uzumcu@cyprusxp.com

NOTTINGHAM (EMA) - UNITED KINGDOM

Swissport International Ltd.
 Cargo Terminal 4 East Midlands Airport
 DE74 2SA Derby
 United Kingdom

SITA: EMACS8X / EMAFFXH

General Operations / Duty Manager:
 Tel: +44 0133 2852 822
 E-mail: ema.cargo@swissport.com

NUREMBERG (NUE) - GERMANY

World Cargo Solutions GmbH
 Wanheimer Strasse 45
 40472 Düsseldorf
 Germany

Reservations & Customer Services:
 Tel: +49 211 438326-26
 E-mail: reservations@world-cs.de
 E-mail: sales@world-cs.de

AirPart GmbH
 Flughafenstrasse 88
 90411 Nuremberg
 Germany

SITA: NUEXFXH

Operations / Import
 Tel: +49 911 937 1945 / 46
 E-mail: cargo@airpart.de
 E-mail: cargo-teamleader@airport-nuremberg.de

OLBIA (OLB) - ITALY

Servizi Aeroportuali Sardi Srl
Aeroporto Costa Smeralda
07026 Olbia
Italy

Operations:

Tel: +39 0789 645119
E-mail: olbia@spedizionisardegna.it

OSH (OSS) - KYRGYZSTAN

Air Manas Air Company
Maldybaeva Str. 75
Bishkek
Kyrgyzstan

Tel: +996 312 564040
E-mail: cargo@airmanas.com

Manas International Airport
Osh Airport
714000 Osh
Kyrgyzstan

Operations:

E-mail: begaly@yandex.ru
E-mail: centrovka_oss@meil.ru

OSLO (OSL) - NORWAY

North Air Logistics
Amager Strandvej 418
2770 Kastrup
Denmark

Tel: +45 32527600
E-mail: cph@northairlogistics.dk
SITA: CPHALXH

SAS Ground Handling Norway AS
Edvard Griegs Veg 3
Gardermoen 2060
Norway

SITA: OSLFOSK / OSLFKSK

Export:

Tel: +47 95716400
E-mail: spirit.osl-planning@sas.no

Import:

Tel: +47 64818582
E-mail: spirit.osl-document@sas.no

PALMA DE MALLORCA (PMI) - SPAIN

World Cargo Solutions S.L.

Mrs. Claudia Schacht
Tel: +34 618 612505
E-mail: pmi@wcs.es

Groundforce Cargo SLU
Terminal de Carga Zona Modular de Carga
Zona Industrial Sur
07611 Palma de Mallorca
Spain

SITA: HDQACXH / PMICLXH

Export / Import:

Tel: +34 971 787 645
E-mail: opspmi@groundforce.aero

PARIS (CDG) - FRANCE

ATC Aviation Services SA
 BP 13 526
 95709 Roissy CDG Cedex
 France

SFS - Societé de Fret et de Services (WFS)

Fax: +33 1 70 03 80 50
 Tel: +33 1 70 03 80 49
 Tel: +33 6 72 27 38 72
 E-mail: baldas@atc-aviation.com
 E-mail: monier@atc-aviation.com

PARIS (ORY) - FRANCE

ATC Aviation Services SA
 BP 13 526
 95709 Roissy CDG Cedex
 France

Société de Fret et de Services WFS
 Rue de la Soie Bat 250 Hall A
 Orly 94392
 France

Fax: +33 1 70 03 80 50
 Tel: +33 1 70 03 80 49
 Tel: +33 6 72 27 38 72
 E-mail: baldas@atc-aviation.com
 E-mail: monier@atc-aviation.com

SITA: ORYQDXH

Export:
 E-mail: oryexp@wfs.aero

Tracing:
 E-mail: orylit@wfs.aero

Import:
 Tel: +33 170033145
 E-mail: oryimp@wfs.aero

PORT LOUIS (MRU) - MAURITIUS

M&C Aviation Mauritius Co.Ltd.
 Freight Forwarders Centre
 Plaine Magnien
 Mauritius

Ground2Air
 2nd Floor Passenger Terminal SSR
 International Airport
 Plaine Magnien
 Mauritius

SITA: MRUKFXH / MRUCSXH / MRUMCXH

Cargo Manager:
 Tel: +230 603 5911
 E-mail: kamlesh.hurloll@ground2air.mu

Export:
 Tel: +230 603 5910
 E-mail: cargo.export@ground2air.mu

Import:
 Tel: +230 603 5909
 E-mail: cargo.import@ground2air.mu

PORTO (OPO) - PORTUGAL

World Cargo Solutions Spain S.L.
 Avd. Central 37 1º Edificio WFS 2
 Aeropuerto de Madrid-Barajas
 28042 Madrid
 Spain

Mr. José Rodríguez Ortiz (Operations Department)
 Tel: +34 917223891
 E-mail: info@wcs.es
 E-mail: jrodriguez@wcs.es
 Mr. Angel Gimenez Duchaussoy (Director)
 Tel: +34 649687758
 E-mail: agimenez@wcs.es

Portway Handling de Portugal SA
 Terminal de Carga Aeroporto F Sa Carneiro
 4471 995 Moreira Maia
 Portugal

SITA: OPOFKXH

Cargo Coordination:

Tel: +351 22 9432544 / 45006
 E-mail: artur.anjo@portway.pt
 E-mail: cargocoord.opo@portway.pt

:

POSADAS (PSS) - ARGENTINA

Handyway Cargo

Operations:

E-mail: aaltagaveite@handywaycargo.com
 E-mail: cristiannagel.handyway@latam.com

PRAGUE (PRG) - CZECH REPUBLIC

Xqair Cargo Service S.R.O.
 Laglerová 1075/4
 161 00 Prague
 Czech Republic

Fax: prg@xqair.aero
 Tel: +420 220 11 2718
 SITA: PRGXQXH

Menzies Aviation Czech sro
 K Letisti 57 1049
 16100 Prague
 Czech Republic

Supervisor:

Tel: +420 602 206 570
 E-mail: nazira.zejnalova@menziesaviation.com

Export:

Tel: +420 220 113 034
 E-mail: cargoexport@menziesaviation.com

Import:

Tel: +420 220 113 610 / 611
 E-mail: prg.import-ops@menziesaviation.com
 E-mail: cargoimport@menziesaviation.com

PRAIA (RAI) - CAPE VERDE

CV Cabo Verde Handling
 Santiago Island
 Praia
 Cabo Verde

Operations / Import

Tel: +238 2604731
 E-mail: cargo.rai@cvhandling.cv

PRISHTINA (PRN) - KS

Aviation Services Bucharest SRL
 Acl Albanian Cargo Logistics Sh.P.K.
 Pristina International Airport
 Cargo Terminal
 Pristina
 Kosovo

Tel: +383 44 555588
 Tel: +387 66 747 820
 E-mail: fmaligi@acl.al
 E-mail: nikola.carapic@aviationservices.aero
 E-mail: sjj@aviationservices.aero

PUERTO IGUAZU (IGR) - ARGENTINA

Handyway Cargo

Operations:

E-mail: aaltagaveite@handywaycargo.com
 E-mail: cristiannagel.handyway@latam.com

PUERTO PLATA (POP) - DOMINICAN REPUBLIC

WCS Dominicana S.R.L.
 Manuel de Jesus Troncoso No. 24, Suite 201
 Ensanche Piatini, Santo Domingo
 Dominican Republic

Tel: +1 809 769 0828
 Tel: +1 829 269 0828
 E-mail: reservas@wcs-dominicana.com

WCS Dominicana
 Puerto Plata Cargo Terminal
 Puerto Plata International Airport
 57000 Puerto Plata
 Dominican Republic

Operations:

Tel: +809 3904386
 Tel: +809 5860433
 E-mail: pop.gen@caribecargo.aero

PUNTA CANA (PUJ) - DOMINICAN REPUBLIC

WCS Dominicana S.R.L.
 Manuel de Jesus Troncoso No. 24, Suite 201
 Ensanche Piatini, Santo Domingo
 Dominican Republic

Tel: +1 809 769 0828
 Tel: +1 829 269 0828
 E-mail: reservas@wcs-dominicana.com

WCS Dominicana
 Punta Cana Cargo Terminal
 Punta Cana International Airport
 23000 Punta Cana
 Dominican Republic

Operations:

Tel: +809 3904385
 Tel: +809 9590023
 E-mail: puj.gen@caribeargo.net

QINGDAO (TAO) - CHINA

FOR BOOKINGS PLS CONTACT SHANGHAI
 OFFICE

RAS AL KHAIMAH (RKT) - UNITED ARAB EMIRATES

WCS World Cargo Solutions DMCC
Office No. 602
The Palladium, Cluster C
Jumeirah Lake Towers
Dubai
UAE

FOR BOOKING PLEASE CONTACT:
Abda Cargo Services DMCC
Office No. 602
The Palladium, Cluster C
Jumeirah Lakes Towers
Dubai
UAE

Sheroy Vanderbona
Tel: +971 5 52216591
E-mail: sheroy@world-cs.ae

Ras Al Khaimah International Airport LLC
Ras Al Khaimah International Airport
Ras Al Khaimah
UAE

Cargo Duty:

Tel: +971 050 487 2145
E-mail: cargo@rakairport.com
E-mail: handling@rakairport.com

Cargo Officer:

Tel: +971 050 627 1310
E-mail: rak.cargo@rakairport.com

REYKJAVÍK (KEF) - ICELAND

Cargo Express
Grandagardi 14
101 Reykjavik
Iceland

Tel: +354 527 0222
E-mail: import@cargoexpress.is
E-mail: export@cargoexpress.is

Airport Associates
Falkavöllur 7
Keflavik International Airport
Reykjavik
Iceland

SITA: KEFOOXH

Operations / Import

E-mail: ops@airportassociates.com

RIO DE JANEIRO (GIG) - BRAZIL

Tri-Star Servicos Aeroportuarios LTDA

RIO GRANDE (RGA) - ARGENTINA

Handyway Cargo

Operations:

E-mail: aaltagaveite@handywaycargo.com
E-mail: cristiannagel.handyway@latam.com

RIONEGRO (MDE) - COLOMBIA

Aerosan SAS
Terminal de Cargo
Bodega 10 Oficina MSC 2
Medellin
Colombia

Operations / Import

Tel: +57 3185168098
E-mail: wzapatab@aerosan.com
E-mail: cargo.mde@aerosan.com

RIYADH (RUH) - SAUDI ARABIA

Leisure Cargo Branch
Al Anbari Street, Al Amal
Riyadh - 11335
Saudi Arabia

SATS
King Khalid International Airport
Riyadh
Saudi Arabia

Vimal Kumar Uranghat (Sales & Services Supervisor) SITA: RUHCAXH

Tel: +966 112967092

E-mail: vimal@leisurecargo.ae

E-mail: ruhsales@leisurecargo.ae

Mobile: +966 571998217

Subhaan Mohammed (Operations Supervisor)

Tel: +966 112967092

E-mail: mohammed.subhaan@leisurecargo.ae

E-mail: ruhcg@leisurecargo.ae

Mobile: +966 566647062

Parkar Ehtisham Ahmed (Operations Executive)

Tel: +966 112967092

E-mail: parkar@leisurecargo.ae

E-mail: ruhcg@leisurecargo.ae

Mobile: +966 505567149

Operations:

Tel: +966 538365855

E-mail: ruh_operations@sats.com.sa

E-mail: ruh_care@sats.com.sa

Import:

Tel: +966 502826743

E-mail: ruh_operations@sats.com.sa

E-mail: ruh_care@sats.com.sa

RODES ISLAND (RHO) - GREECE

Skyserv SA
Rhodes International Airport Diagoras
Rhodes
Greece

SITA: RHOKSXH / HERKQXH

Import:

E-mail: cargo.import@skyserv@aero

ROME (FCO) - ITALY

MJM Aviation Cargo Services Srl
Via Triumvirato 84
Palazzina Merci 3
40132 Bologna Aeroporto G. Marconi
Italy

Alfa SpA
Piazzale Caduti Italiani in Bosnia
00054 Fiumicino
Italy

SITA: QPRRMXH

Tel: +39 051 026 0206

E-mail: info.blq@mjmcargo.it

Duty Manager:

E-mail: dutymanager.fco@alhagroup.com

Export:

E-mail: exportspv@alhagroup.com

Import:

E-mail: importspv@alhagroup.com

ROSARIO (ROS) - ARGENTINA

Handyway Cargo

Operations:

E-mail: aaltagaveite@handywaycargo.com

E-mail: cristiannagel.handyway@latam.com

ROTTERDAM (RTM) - NETHERLANDS

Airline Management Services BV
Singaporestraat 9-11
1175RA Lijnden
The Netherlands

Tel: +31 20 2382600

E-mail: info@ams-gsa.nl

Mobile: +31 649404970

SITA: AMSFFLT

Menzies World Cargo Rotterdam BV
Brandenburgerbaan 2b
3045 Rotterdam
Netherlands

SITA: RTMCS8X

Cargo Office:

Tel: +31 10 4374628

E-mail: rotterdam.cargooffice@menziesaviatic

SALTA (SLA) - ARGENTINA

Handyway Cargo

Operations:

E-mail: aaltagaveite@handywaycargo.com

E-mail: cristiannagel.handyway@latam.com

SALZBURG (SZG) - AUSTRIA

Salzburger Flughafen GmbH
Innsbrucker Bundesstrasse 95
5020 Salzburg
Austria

SITA: SZGFRXH

Operations:

Tel: +43 6628580 221 / 228

E-mail: fracht@salzburg-airport.at

SAN CARLOS DE BARILOCHE (BRC) - ARGENTINA

Handyway Cargo

Operations:

E-mail: aaltagaveite@handywaycargo.com

E-mail: cristiannagel.handyway@latam.com

SAN JOSE (SJO) - COSTA RICA

Aria Aviation Solutions Srl
 2.0 km Norte de Constru Plaza
 Cond. Dukana, Th4, Guachipelin
 Escazu, San José 10203
 Costa Rica

E-mail: info@aria-aviation.com

InterExpreso SA
 Aeropuerto Juan Santamaria Edificio
 Terminales Santamaria 2do Piso
 San Jose
 Costa Rica

SITA: SJOFFAA

Operations Coordinator:

Tel: +506 24400571 6105
 E-mail: jcalvo@interexpreso.com

Operations:

Tel: +506 24400571 6120 / 6150
 E-mail: sjo.ops@interexpreso.com

SAN MIGUEL DE TUCUMAN (TUC) - ARGENTINA

Handyway Cargo

Operations:

E-mail: aaltagaveite@handywaycargo.com
 E-mail: cristiannagel.handyway@latam.com

SANTIAGO (SCL) - CHILE

World Cargo Solutions Chile
 Los Militares 4611, Oficina 171, Piso 17
 Las Condes
 Santiago
 Chile

Tel: +56 233282591
 E-mail: Administracion@world-cs.cl

SANTO DOMINGO (SDQ) - DOMINICAN REPUBLIC

WCS Dominicana S.R.L.
 Manuel de Jesus Troncoso No. 24, Suite 201
 Ensanche Piatini, Santo Domingo
 Dominican Republic

Tel: +1 809 769 0828
 Tel: +1 829 269 0828
 E-mail: reservas@wcs-dominicana.com

WCS Dominicana
 Santo Domingo Cargo Terminal Deposit No 8
 Santo Domingo International Airport
 Santo Domingo
 Dominican Republic

Operations:

Tel: +809 3904 393
 Tel: +809 5490 552
 E-mail: sdq.ops@caribecargo.net

Import:

Tel: +809 5492 720
 E-mail: sdq.import@caribecargo.net

SÃO PAULO (GRU) - BRAZIL

Tri-Star Servicos Aeroportuarios LTDA

Operations:

E-mail: elizabete.gru@tristar.net.br

E-mail: jairo.gru@tristar.net.br

E-mail: leonardo.santana@tristar.net.br

E-mail: stefano.castilho@tristar.net.br

E-mail: vitor.souza@tristarhandling.com.br

SÃO PEDRO (VXE) - CAPE VERDECV Cabo Verde Handling
Mindelo Sao Vincente Island
Sao Vincente
Cabo Verde**Operations / Import**

Tel: +238 2328090

E-mail: cargo.vxe@cvhandling.cv

SARAJEVO (SJJ) - BOSNIA AND HERZEGOVINAAviation Services Bucharest SRL
Kurta Schorka 36
Sarajevo International Airport
BA-71000 Sarajevo
Bosnia and Herzegovina

Tel: +387 66 747 820

E-mail: nikola.carapic@aviationservices.aero

E-mail: sjj@aviationservices.aero

Sarajevo International Airport Ltd
Kurta Schorka 36
71210 Sarajevo
Bosnia and Herzegovina

SITA: SJJFFXH

Export / Import

Tel: +387 33 289 142

E-mail: Cargo@sarajevo-airport.ba

Cargo Warehouse:

Tel: +387 33 289 341

E-mail: amezit@sarajevo-airport.ba

SHANGHAI (PVG) - CHINAAir Logistics China Ltd.
Room 1616, No. 333
North Chengdu Road
Jing'an District
Shanghai 200040
China

SHARJAH (SHJ) - UNITED ARAB EMIRATES

WCS World Cargo Solutions DMCC
Office No. 602
The Palladium, Cluster C
Jumeirah Lake Towers
Dubai
UAE

FOR BOOKING PLEASE CONTACT:
Abda Cargo Services DMCC
Office No. 602
The Palladium, Cluster C
Jumeirah Lakes Towers
Dubai
UAE

Sheroy Vanderbona
Tel: +971 5 52216591
E-mail: sheroy@world-cs.ae

Sharjah Aviation Services LLC
Sharjah International Airport Freight Center
Cargo Terminal 5
Sharjah 70888
UAE

SITA: SHJFFXH / SHJFFXH

Export:

Tel: +971 64141148
E-mail: expwarehouse@sharjahaviation.com

Import:

Tel: +971 64141191
E-mail: importwarehouse@sharjahaviation.com

SHENZHEN (SZX) - CHINA

Air Logistics China Ltd.
Room 22D, Annex Tower
Guangdong International Plaza
339 Huanshi Road East, Yuexiu District
Guangzhou
China

E-mail: can@airlogisticsgroup.com

:

SIALKOT (SKT) - PAKISTAN

Leisurecargo Pvt Limited
Room No. 112, Amenities Block
Sialkot International Airport
51310 Sialkot
Pakistan

Tel: +92 52 6633119-20
E-mail: adeeb@leisurecargo.pk

SINGAPORE (SIN) - SINGAPORE

World of Aviation Pte. Ltd.
Room 237, 2nd Storey Sat's Airfreight
Terminal
105 Airport Cargo Road
819462 Singapore

SKOPJE (SKP) - MACEDONIA

Aviation Services Dooel Skopje
Str 852 No. 62
1000 Skopje
Macedonia

Tel: +387 66 747 820

E-mail: nikola.carapic@aviationservices.aero

E-mail: sjj@aviationservices.aero

E-mail: dragomir.gjukikj@aviationservices.aero

TAV Macedonia DOOEL

Skopje International Airport Bosphorus Street

No 1 Mralino

Skopje 1041

Rep. North Macedonia

SITA: SKPFFXH

Supervisor

E-mail: cargosupervisor@tav.aero

Export:

Tel: +389 23148632 / 38 / 70

E-mail: cargoexport@tav.aero

E-mail: cargotelex@tav.aero

SOFIA (SOF) - BULGARIA

Xqair Cargo Services Ltd.
Sofia Airport Center
64, Christopher Columbus Blvd.
1592 Sofia
Bulgaria

Tel: +359 2 483 3008

E-mail: sof@xqair.aero

SITA: SOFXQXH

Aviations Services Bulgaria OOD

Cargo Terminal Aviation Services 1

Christopher Columbus Blvd

1540 Sofia

Bulgaria

SITA: SOFMMXH

Export:

Tel: +359 29421856

E-mail: exporthandling@aviationservices.bg

Import:

Tel: +359 29421852

E-mail: importhandling@aviationservices.bg

E-mail: import@aviationservices.bg

ST. PETERSBURG (LED) - RUSSIAN FEDERATION

Cargo Terminal Pulkovo JSC

Pulkovskoye Shosse 37 Building 4

196210 St. Peterburg

Russia

SITA: LEDFFXH

Export:

Tel: +7 812 3806936

E-mail: export@pulkovo-cargo.ru

Tracing:

E-mail: tracer@pulkovo-cargo.ru

Import:

Tel: +7 812 3806945 / 55

E-mail: import@pulkovo-cargo.ru

STA CRUZ DE LA PALMA, LA PALMA ISLAND (SPC) - SPAIN

Eurotransmex Handling SL
Terminal de Carga Aeropuerto de La Palma
Ctra La Bajita
38730 Villa de Mazo
Spain

SITA: ETMFFCR / SPCFFCR

Cargo Manager:

Tel: +34 609125209
E-mail: i.acosta@etmhandling.com

Export / Import:

Tel: +34 922426163
E-mail: spcffrc@etmhandling.com

STOCKHOLM (ARN) - SWEDEN

North Air Logistics
Box 96, Arlanda
190 45 Stockholm
Sweden

Tel: +46 859360045
E-mail: ep@northairlogistics.se

WFS Sweden AB
Fraktvägen 36B C Cargo City
19045 Arlanda
Sweden

SITA: CDGHQXH

Operations:

Tel: +46 8 593 608 00
E-mail: cargoops.arn@wfs.aero

Customs related issues:

E-mail: tull.arn@wfs.aero

STUTTGART (STR) - GERMANY

World Cargo Solutions GmbH
Wanheimer Strasse 45
40472 Düsseldorf
Germany

Reservations & Customer Services:

Tel: +49 211 438326-26
E-mail: reservations@world-cs.de
E-mail: sales@world-cs.de

Swissport Cargo Services Stuttgart GmbH
Luftfrachtzentrum Geb 605 3
70629 Stuttgart
Germany

SITA: STRCS8X

Operations Manager:

Tel: +49 711 907097 11
E-mail: michael.auch@swissport.com

Export:

Tel: +49 711 907097 14
E-mail: strcs.info@swissport.com

Import:

Tel: +49 711 907097 15
E-mail: strcs.info@swissport.com

TABUK (TUU) - SAUDI ARABIA

Leisure Cargo Branch
Al Anbari Street, Al Amal
Riyadh - 11335
Saudi Arabia

Zuheb Zahid (Sr. Sales & Services Executive)

Tel: +966 12642740

E-mail: zuhebji@leisurecargo.ae

E-mail: jedsales@leisurecargo.ae

Mobile: +966 531067235

Nabeel Tha Kidyal (Sales & Services Executive)

Tel: +966 12642740

E-mail: nabeel@leisurecargo.ae

E-mail: jedcgo@leisurecargo.ae

Mobile: +966 535492488

SAL Saudi Logistics Services JSC
Turaif
Saudi Arabia

SITA: SALSVDX

Operations:

E-mail: tuustn@sal.sa

TAIF (TIF) - SAUDI ARABIA

Leisure Cargo Branch
Al Anbari Street, Al Amal
Riyadh - 11335
Saudi Arabia

Zuheb Zahid (Sr. Sales & Services Executive)

Tel: +966 12642740

E-mail: zuhebji@leisurecargo.ae

E-mail: jedsales@leisurecargo.ae

Mobile: +966 531067235

Nabeel Tha Kidyal (Sales & Services Executive)

Tel: +966 12642740

E-mail: nabeel@leisurecargo.ae

E-mail: jedcgo@leisurecargo.ae

Mobile: +966 535492488

SAL Saudi Logistics Services JSC
Taif
Saudi Arabia

SITA: SALSVDX

Operations:

E-mail: tiftsn@sal.sa

TAIPEI (TPE) - TAIWAN, PROVINCE OF CHINA

Premier Aviation Co.Pte.Ltd.
17 Phillip Street
#05-01 Grand Building
048695 Singapore

Vivian Chuang (Country Manager)

Tel: +886 2 7632158 Ext. 101

E-mail: paul.chu@premier-pacp.com

Mobile: +886 972 624407

TASHKENT (TAS) - UZBEKISTAN

Amir Travel Corporation LLC
Tashkent City, Shaikhontohur District
Mannen Uyghur Street 3/1
Uzbekistan

Tel: +998 94 627 47 62

Islam Karimov Tashkent International Airport
Airport Qumariq Street 13
100167 Tashkent
Uzbekistan

SITA: TASHDAY / TASHPHY

Operations:

Tel: +998 78 140 28 88 / 38

E-mail: anna.degyarenko@uzbairports.uz

TBILISI (TBS) - GEORGIA

Air Logistics LLC
Tbilisi International Airport
Cargo Terminal Lasare
Floor II, Room 205
0158 Tbilisi
Georgia

Tel: +995 322430010

Tel: +995 5577319400

E-mail: inga.melik@airlogisticsgroup.com

Lasare Ltd
Shota Rustaveli Tbilisi International Airport
Tbilisi
Georgia

SITA: TBSLAXH

Chief Ops:

E-mail: marina.g@lasare.ge

Export:

E-mail: sophie.b@lasare.ge

E-mail: ops@lasare.ge

Operations:

Tel: +995 32 2450330 / 880

E-mail: cargo@lasare.ge

E-mail: operator@lasare.ge

TEHRAN (IKA) - IRAN, ISLAMIC REPUBLIC OF

Iranian International Transport Co.
Pegasus Airlines Cargo
No. 16, Cargo Terminal
Imam Khomeini International Airport

Tel: +98 21 55678125

Tel: +98 21 55678298

E-mail: aliasghar.khosravani@ptbnet.com

TEL AVIV (TLV) - ISRAEL

West East Airline Rep. Ltd.
Ben Gurion International Airport
Mama Building, Suite 710
70100000 Lod
Israel

Tel: +972 3 9772043
E-mail: cargo@westeast.co.il
SITA: TLVWEXH

Maman
Ben Gurion International Airport Hativa 8
Street
LOD 70100
Israel

SITA: TLVFXH

Operations:

Tel: +972 03 9715849 / 51
E-mail: cargo@maman.co.il

Export:

Tel: +972 03 9715849 / 51
E-mail: cargoexp@maman.co.il

Import:

Tel: +972 03 9715843
E-mail: cargoimp@maman.co.il

TENERIFE ISLAND (TFS) - SPAIN

Airline Cargo System S.L.
C/Vereda Del Medio N.81
38350 Tacoronte Santa Cruz de Tenerife
Spain

Tel: +34 922 825085
E-mail: sales.canarias@acsycargo.net

Eurotransmex Handling SL
Cargo Terminal Reina Sofia Airport
Granadilla de Abona 38610
Spain

Cargo Manager
Tel: +34 696 190813
E-mail: i.acosta@etmhandling.com

Export / Import:

Tel: +34 922 759700
E-mail: tfsffcr@etmhandling.com

TENERIFE ISLAND (TFN) - SPAIN

Eurotransmex Handling SL
Terminal de Carga Aeropuerto Ciudad de la
Laguna
38297 La Laguna Tenerife
Spain

SITA: ETMFFCR / TFNFFCR

Cargo Manager:

Tel: +34 696 190813
E-mail: i.acosta@etmhandling.com

Export / Import:

Tel: +34 669583174
Tel: +34 699879524
E-mail: tfnffcr@etmhandling.com

THESSALONIKI (SKG) - GREECE

Swissport Hellas SA
Makedonia International Airport 16 and 17
Warehouse Cargo Building
55103 Thessaloniki
Greece

SITA: SKGFFXH / SKGKXXH / HERKQXH

Cargo Services:

Tel: +30 2310473823
E-mail: skg.cargo@swissport.gr

TIANJIN (TSN) - CHINA

Air Logistics China Ltd.
Room 302, Building L,
Hangcheng Square No. 580, Shunping Road
Shunyi District Beijing 101300
China

E-mail: tsn@airlogisticsgroup.com

TIRANA (TIA) - ALBANIA

Aviation Services Bucharest SRL
Kurta Schorka 36
Sarajevo International Airport
BA-71000 Sarajevo
Bosnia and Herzegovina

Tel: +387 66 747 820
E-mail: nikola.carapic@aviationservices.aero
E-mail: sjj@aviationservices.aero

TORONTO (YYZ) - CANADA

Abda Aviation
6500 Silver Dart Drive
Suite 319
L5P 1B1 Mississauga
Canada

Swissport Canada Handling Inc
6500 Silver Dart Drive
L5P 1B2 Mississauga
Canada

SITA: YYZCSXH

Tel: +1 905 671 1058
E-mail: sales@abda-aviation.ca
E-mail: ops@abda-aviation.ca

TRIVANDRUM (TRV) - INDIA

Air India Cargo
Air India Cargo Complex Shanghumugham
Trivandrum
India

Operations:

Tel: +91 4712501844
E-mail: cargooa.tv@aisats.in

USHUAHIA (USH) - ARGENTINA

Handyway Cargo

Operations:

E-mail: aaltagaveite@handywaycargo.com

E-mail: cristiannagel.handyway@latam.com

VALENCIA (VLC) - SPAIN

World Cargo Solutions Spain S.L.
 Avd. Central 37 1° Edificio WFS 2
 Aeropuerto de Madrid-Barajas
 28042 Madrid
 Spain

WFS Servicios Aeroportuarios SA
 Terminal de Carga Aerea Edificio WFS
 Parcelas 112 y 114
 46940 Valencia
 Spain

Mr. José Rodríguez Ortiz (Operations Department)

Tel: +34 917223891

E-mail: info@wcs.es

E-mail: jrodriguez@wcs.es

Mr. Angel Gimenez Duchaussoy (Director)

Tel: +34 649687758

E-mail: agimenez@wcs.es

SITA: VLCWSXH

Operations:

Tel: +34 96 159 84 29

E-mail: ops.vlc@wfs.aero

:

VARADERO (VRA) - CUBA

Aerovaradero
 Aeropuerto Internacional Juan G Gomez
 Carretera Regalito Km 5 1 2
 Varadero
 Cuba

Operations:

Tel: +53 45 663273 / 283

E-mail: aerovaradero@vra.ecasa.avianet.cu

E-mail: transitaria.vra@vra.ecasa.avianet.cu

VENICE (VCE) - ITALY

MJM Aviation Cargo Services Srl
 Via Trionvirato 84
 Palazzina Merci 3
 40132 Bologna Aeroporto G. Marconi
 Italy

Xpress Srl
 Via G Bonmartini 11
 33030 Venice
 Italy

Tel: +39 051 026 0206

E-mail: info.blq@mjmcargo.it

SITA: CHAH2XH / VCECMXH

Station Manager:

Tel: +39 346 686 6566

E-mail: amore@xpress.it

Export Office:

Tel: +39 041 26034327

E-mail: vce@xpress.it

VERONA (VRN) - ITALY

MJM Aviation Cargo Services Srl
Via Triumvirato 84
Palazzina Merci 3
40132 Bologna Aeroporto G. Marconi
Italy

Tel: +39 051 026 0206
E-mail: info.blq@mjmcargo.it

Alha SpA
Aeroporto Valerio Catullo Palazzina Merci
37062 Dossobuono
Italy

SITA: QPRRSVXH

Operations Manager Network
Tel: +39 045 8600351
E-mail: andrea.battaglia@alhagroup.ch

Operations:

Tel: +39 045 6573925
E-mail: alhaspv.vrn@alhagroup.com

VIENNA (VIE) - AUSTRIA

Kales Airlines Services GmbH
Objekt 263/3 Room 2+316
1300 Vienna Airport
Austria

Tel: +43 1 7007 33370

Flughafen Wien AG
Speditionsstrasse Air Cargo Center Entrance
10
Vienna 1300
Austria

SITA: VIEFMXH

Operations / Import

Tel: +43 1 7007 22808
E-mail: cargo@viennaairport.com

Export:

E-mail: cargo-teamleader@viennaairport.com

WARSAW (WAW) - POLAND

Xqair Cargo Service Z.O.O.
Wirazowa 29
02-158 Warsaw
Poland

Tel: +48 22 606 7286
E-mail: waw@xqair.aero
SITA: WAWXQXH

ONLY FOR PC AND CORENDON:

Air Logistics Sp.Z.O.O.
Ul. Komitetu Obrony Robotnikow 56
02-146 Warsaw
Poland

Tel: +48 22 331 30 90 / 91
E-mail: waw@airlogistics.pl

XIANYANG (XIY) - CHINA

Air Logistics China Ltd.
Room 203, A03 Building
Xian Xianyang Airport International Cargo
Terminal
Xian City, Shanxi Province 710082
China

E-mail: xiy@airlogisticsgroup.com

YEREVAN (EVN) - ARMENIA

Armenia International Airport CJSC
Zvartnots International Airport AIA Building
0042 Yerevan
Armenia

SITA: EVNZCXH

Operations:

Tel: +374 10493000

E-mail: info@aia-zvartnots.aero

ZAGREB (ZAG) - CROATIA

Xqair Cargo Service D.O.O.
Grad Velika Gorica
Ulica Rudolfa Fizira 7, P.O. Box 27
10150 Zagreb Airport
Croatia

Tel: +385 1 6264 924

E-mail: zag@xqair.aero

SITA: ZAGXQXH

ZAPORIZHIA (OZH) - UKRAINE

Cargolight LLC
O. Mishugi Street
10 Bld., Office 303
02141 Kyiv
Ukraine

Cargo Terminal
Zaporizhzhia International Airport 4 Blakytna
Street
Zaporizhzhia
Ukraine

Tel: +380 44277-23-22

E-mail: office@cargolight.com

ZURICH (ZRH) - SWITZERLAND

Airnautic AG
Freight Building
Po Box 53
8058 Zurich
Switzerland

Fax: +41 43 816 38 45
Tel: +41 43 816 38 44
E-mail: zrh@airnautic.ch

Dnata Switzerland AG
Fracht West Frachthofstrasse 9 OPC 4
Zurich 8058
Switzerland

SITA: ZRHME7X

Export:

Tel: +41 43 815 8431 / 33
E-mail: exportcargozrh@dnata.ch

Import:

Tel: +41 43 815 8414 / 08
E-mail: importcargozrh@dnata.ch



World Cargo Solutions GmbH

Wanheimer Straße 45
40472 Düsseldorf, Germany
Phone: +49 (0) 211 - 438326-0
Fax: +49 (0) 211 - 438326-31
www.world-cs.de